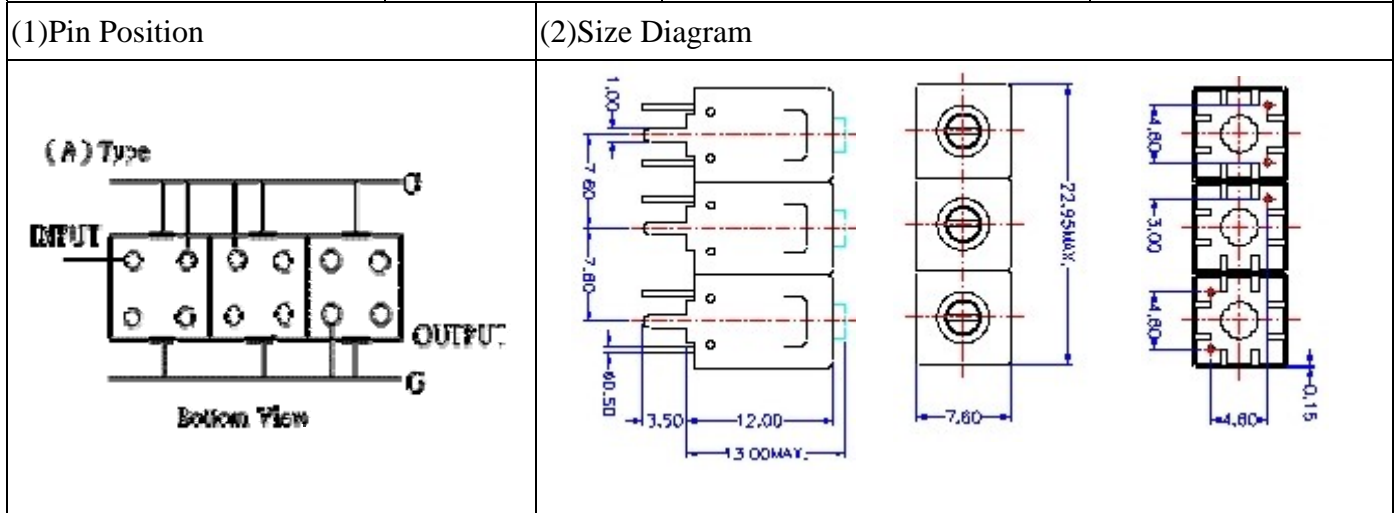


VHF UHF Helical Filter Specification Sheet

Customer Name		Temwell's Part No.	TT67426A-1250M
Approval No. /dated	2009090DB	Acceptable Specify Fo. Range	1181~1250MHz
Work Instruction No.	2009090DB	Date	



(3) Electric Character

Item	Specify	Performance	
Center Freq.(Fo) +/- 0.5 %	1250 MHz	1250 MHz	
Tunable Range	1250±10 MHz	1250±10 MHz	
Insertion Loss	Typ. 5.0 dB	4.0 dB	
-3 dB Bandwidth	Typ. 20 MHz	27 MHz	
Sensitivity (Attenuation)	Fo -50 MHz	Typ. 24 dBc	28 dBc
	Fo +50 MHz	Typ. 18 dBc	22 dBc
	Fo - ()MHz	Typ. dBc	dBc
	Fo +()MHz	Typ. dBc	dBc
Return Loss	Min. 12 dB	37.7 dB	
Ripple	< 1 dB	dB	
Impedance	In / Out : 50 Ω	In / Out : 50 Ω	
(4) Torque for Tuning Screw	> 100gf · cm		

(5) Temperature Condition:

Operating Temperature	0°C ~ +60°C
Storage Temperature	-20°C ~ +70°C

(6) Input Power

	> 1Watt
--	---------

Approval	Supervisor	Designer	Aperture size
C.Y.Chang	C.S.Chang	C.S.Chang	7H3S(4*6.5)F 7H046LB4 聚 3

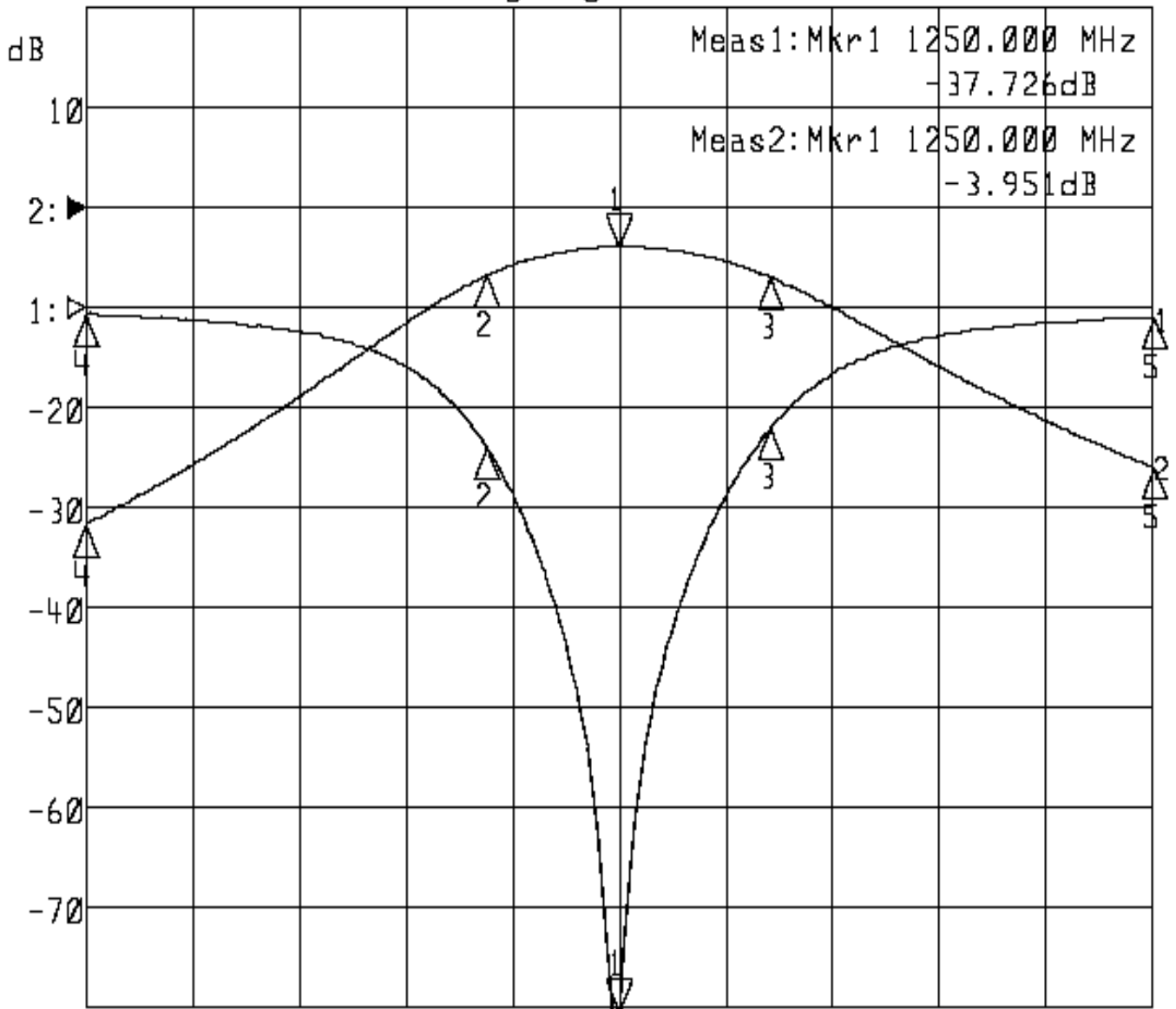
TEMWELL CORPORATION

Performance-TT67426A-1250M

2009090DB

▶1:S11 Refl Port1 Log Mag 5.0 dB/ Ref 0.00 dB C

▶2:S21 Fwd Trans Log Mag 10.0 dB/ Ref 0.00 dB C



Center 1 250.000 MHz

Span 100.000 MHz

1: Mkr (MHz)	dB	2: Mkr (MHz)	dB
1> 1250.0000	-37.726	1> 1250.0000	-3.951
2: 1237.5667	-6.941	2: 1237.5667	-6.819
3: 1264.2000	-6.023	3: 1264.2000	-6.924
4: 1200.0000	-0.366	4: 1200.0000	-31.677
5: 1300.0000	-0.518	5: 1300.0000	-25.931