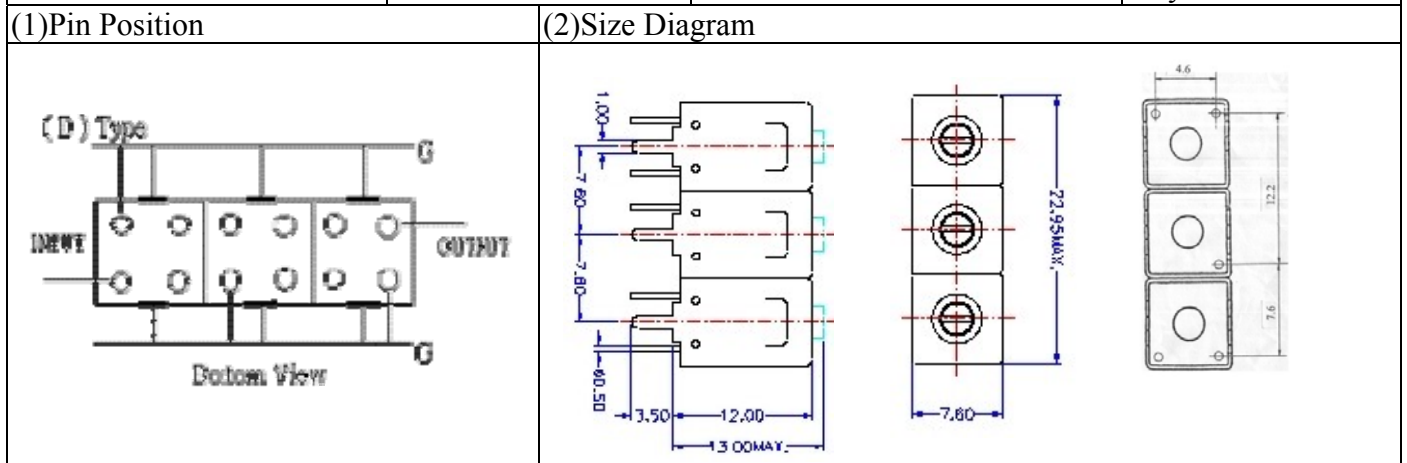


VHF UHF Helical Filter Specification Sheet

Customer Name		Temwell's Part No.	TT67426D-1260M
Approval No. /dated	20405036DB	Acceptable Specify Fo Range	1251~1300MHz
Work Instruction No.	20405036DB	Date	May.21.2004



(3) Electric Charasteric

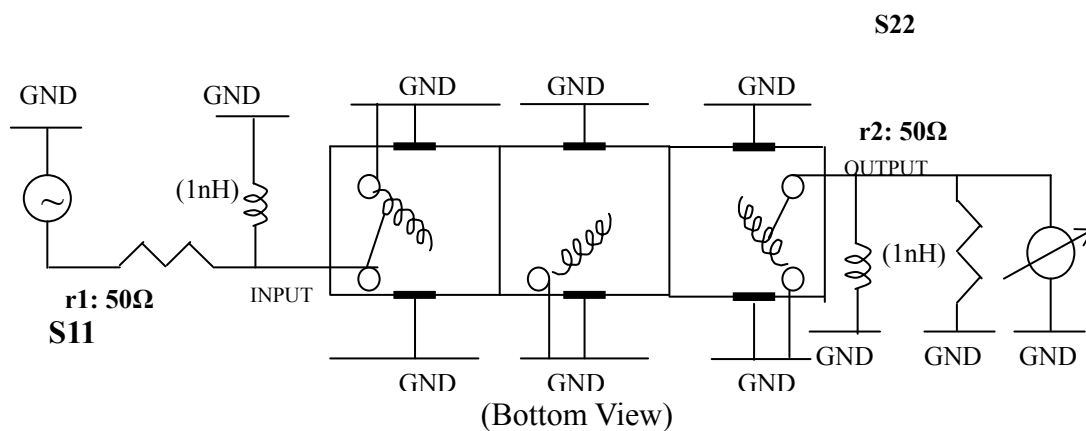
Item	Specify	Performance	
Center Freq.(Fo) +/- 0.5 %	1260 MHz	1260 MHz	
Tunable Range:	1260±10 MHz	1260±10 MHz	
Insertion Loss	Typ. 4.0 dB	2.8 dB	
-3 dB Bandwidth	Typ. 25 MHz	31 MHz	
Sensitivity (Attenuation)	Fo - 50 MHz	Typ. 20 dBc	23 dBc
	Fo + 50 MHz	Typ. 15 dBc	18 dBc
	Fo - ()MHz	Typ. dBc	dBc
	Fo +()MHz	Typ. dBc	dBc
Return Loss	Min. 12 dB	19.1 dB	
Ripple	< 1 dB	dB	
Impedance	In / Out : 50 Ω	In / Out : 50 Ω	
(4) Torque for Tuning Screw	> 100gf · cm		

(5) Temperature Condition:

Operating Temperature	0°C ~ +60°C
Storage Temperature	-20°C ~ +70°C

(6) Input Power > 1Watt

(7) Measuring Circuit: ※Easy to match Impedance S11/S22 50Ω by parallel with about(0-1 nH) / (0-1 nH).



Approval	Supervisor	Designer	Aperture size
C.Y.Chang	C.S.Chang	C.S.Chang	7H3S(4*4.65)(4*4.69) 7H046LB4 聚 3

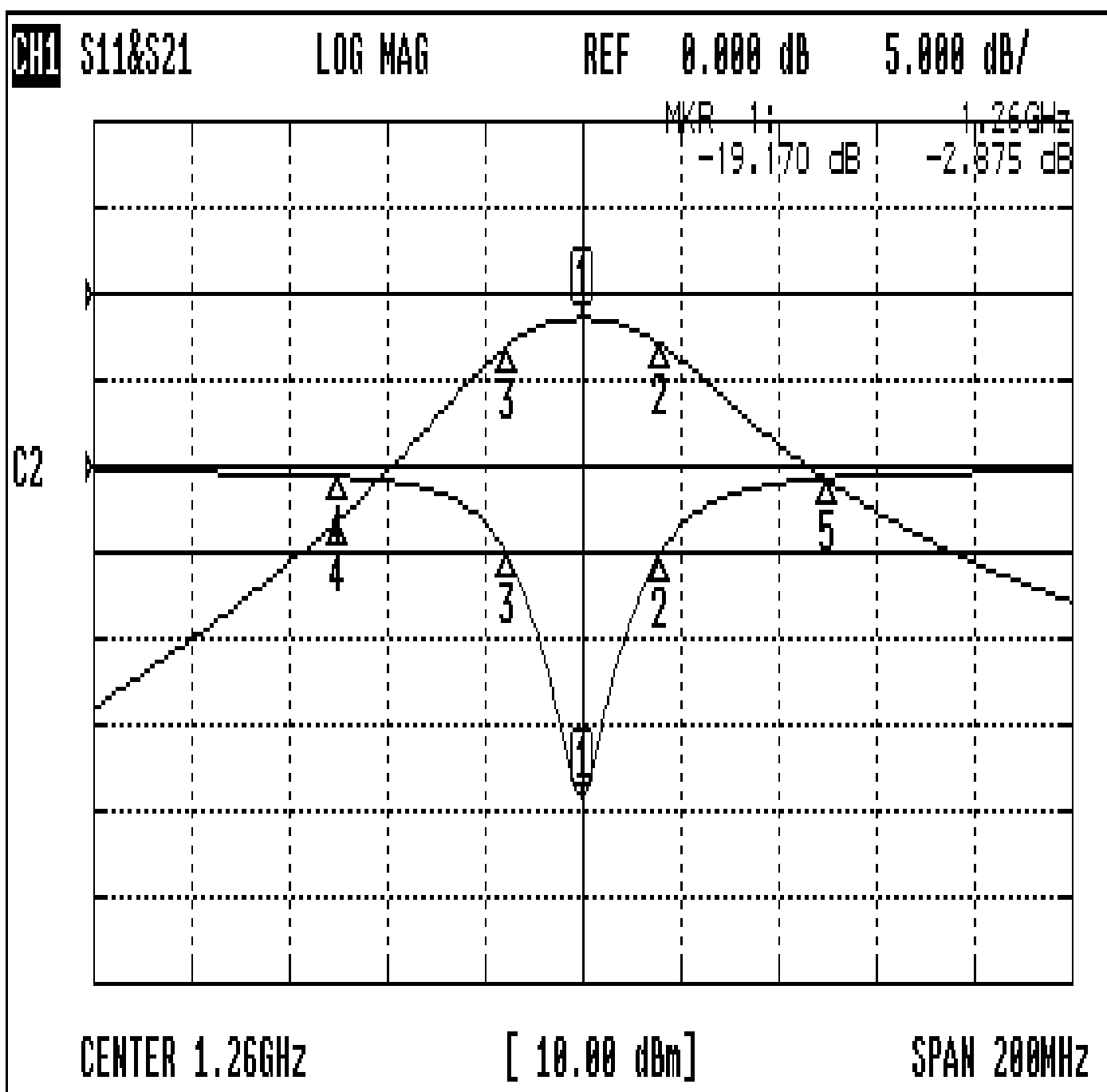
TEMWELL CORPORATION

TEMWELL

Form10-7H3D Vision D

Performance-TT67426D-1260M

20405036DB



CH1 MARKER LIST

1:	1.260 000GHz	-19.170 dB	-2.875 dB
2:	1.275 833GHz	-5.122 dB	-5.848 dB
3:	1.244 833GHz	-5.282 dB	-5.822 dB
4:	1.210 000GHz	-0.619 dB	-26.178 dB
5:	1.310 000GHz	-0.685 dB	-21.639 dB