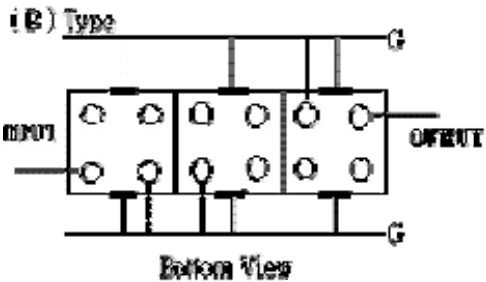
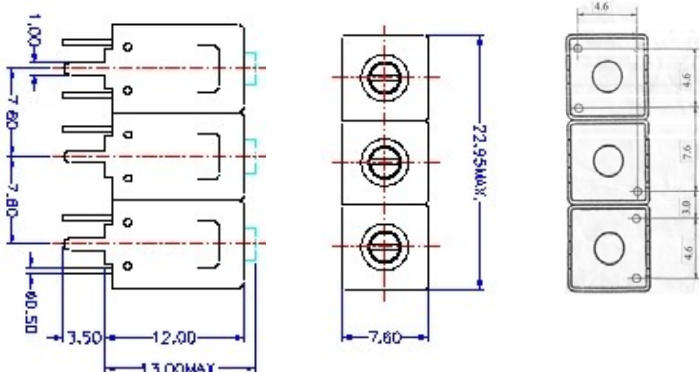


VHF UHF Helical Filter Specification Sheet

Customer Name		Temwell's Part No.	TT67428B-77M
Approval No. /dated	20303074C	Acceptable Specify Fo. Range	76~85MHz
Work Instruction No.	20303074C	Date	

<p>(1) Pin Position</p>  <p style="text-align: center;">Bottom View</p>	<p>(2) Size Diagram</p> 
--	--

(3) Electric Character			
Item	Specify	Performance	
Center Freq.(Fo) +/- 0.5 %	77 MHz	77	MHz
Tunable Range	77±2 MHz	77±2	MHz
Insertion Loss	Typ 3 dB	1.65	dB
-3 dB Bandwidth	Typ. 18 MHz	20	MHz
Sensitivity (Attenuation)	Fo -50 MHz	Typ. 46 dB _c	49 dB _c
	Fo +50 MHz	Typ. 50 dB _c	53 dB _c
	Fo - ()MHz	Typ. dB _c	dB _c
	Fo +()MHz	Typ. dB _c	dB _c
Return Loss	Min. 12 dB	40	dB
Ripple	< 1 dB		dB
Impedance	In / Out : 50 Ω	In / Out : 50 Ω	
(4) Torque for Tuning Screw			
		> 100gf · cm	

(5) Temperature Condition:	
Operating Temperature	0°C ~ +60°C
Storage Temperature	-20°C ~ +70°C
(6) Input Power	
> 1Watt	

Approval	Supervisor	Designer	Aperture size
C.Y. Chang	C.S. Chang	C.S. Chang	7H3S(4*5.5) F 7H00LB6

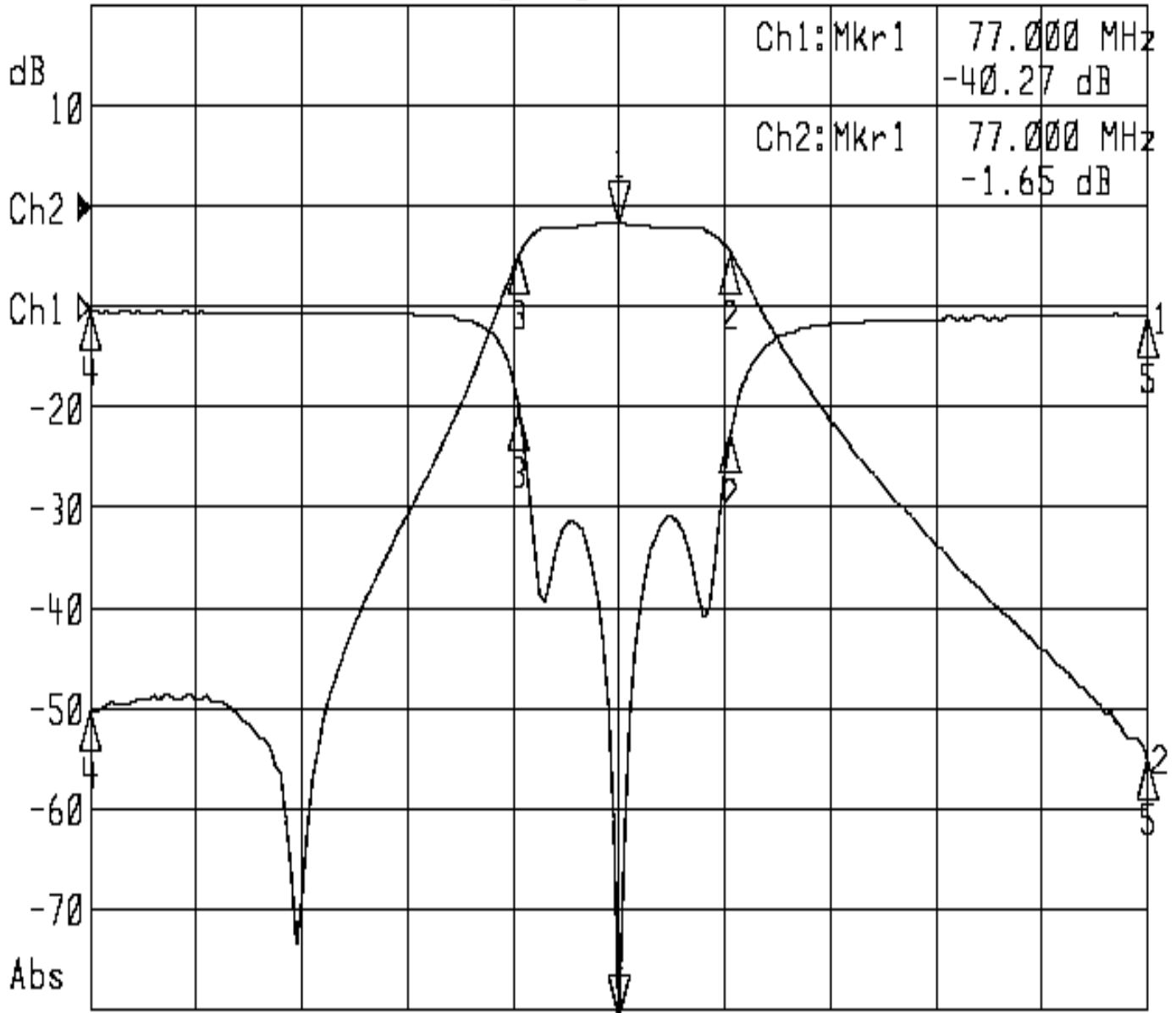
TEMWELL CORPORATION

Performance-TT67428B-77M

20303074C

►1: Reflection Log Mag 5.0 dB/ Ref 0.00 dB C

►2: Transmission Log Mag 10.0 dB/ Ref 0.00 dB C



Center 77.000 MHz

Span 100.000 MHz

1: Mkr (MHz)	dB	2: Mkr (MHz)	dB
1> 77.00	-40.27	1> 77.00	-1.65
2: 87.58	-6.21	2: 87.58	-4.62
3: 67.59	-5.15	3: 67.59	-4.62
4: 27.00	-0.21	4: 27.00	-50.33
5: 127.00	-0.44	5: 127.00	-54.92