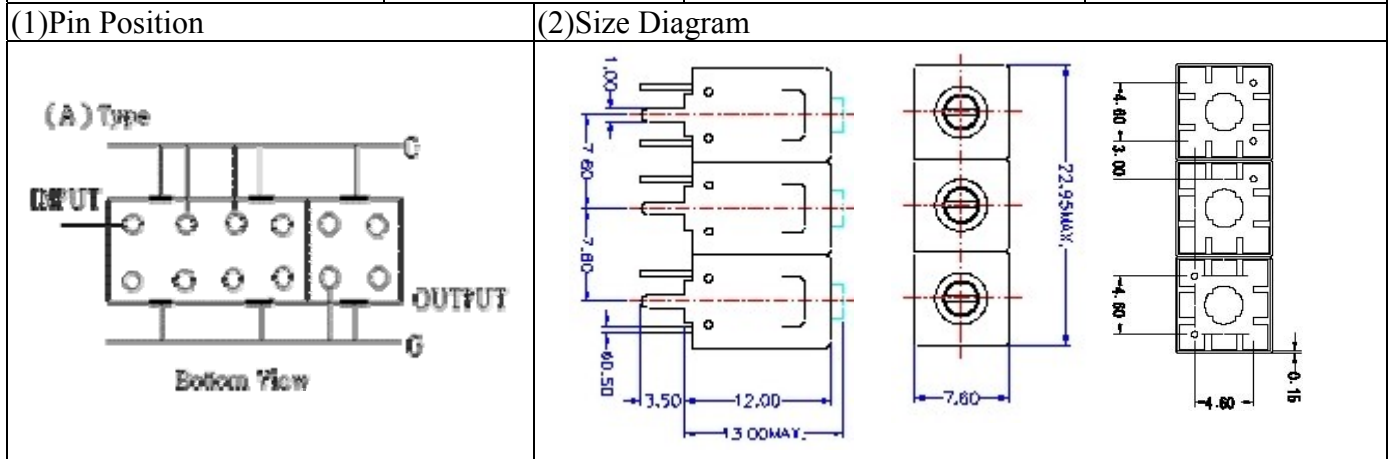


# VHF UHF Helical Filter Specification Sheet

Customer Name		Temwell's Part No.	TT67445A-942.5M
Approval No. /dated	0903028CD	Customer's Print Name.	67445A 942.5M
Work Instruction No.	200903028CD	Date	Mar.11.2009



### (3) Electric Characteristic

Item	Specify	Performance	
Center Freq.(Fo) +/- 0.5 %	942.5 MHz	942.5 MHz	
Tunable Range:	942.5±5 MHz	942.5±5 MHz	
Insertion Loss	Typ. 3.0 dB	1.43 dB	
-3 dB Bandwidth	Typ. 50 MHz	56.9 MHz	
Sensitivity (Attenuation)	Fo - 100 MHz	Typ. 36 dBc	39 dBc
	Fo + 100 MHz	Typ. 23 dBc	26 dBc
	Fo - ( )MHz	Typ. dBc	dBc
	Fo +( )MHz	Typ. dBc	dBc
Return Loss	Min. 12 dB	23.7 dB	
Ripple	< 1 dB	dB	
Impedance	In / Out : 50 Ω	In / Out : 50 Ω	

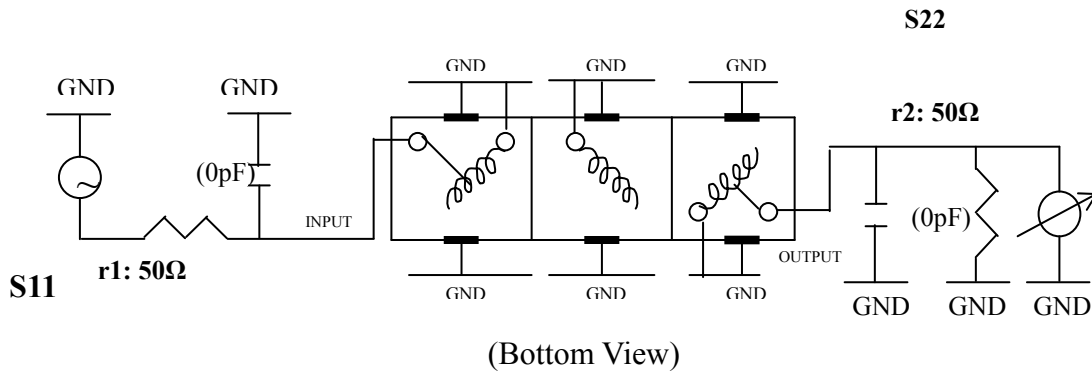
(4) Torque for Tuning Screw > 100gf · cm

(5) Temperature Condition:

Operating Temperature	-0°C ~ +60°C
Storage Temperature	-20°C ~ +70°C

(6) Input Power > 1Watt

(7) Measuring Circuit: ※Easy to match Impedance S11/S22 50Ω by parallel with about(0pF) / (0pF).



Approval	Supervisor	Designer	Aperture size
C.Y.Chang	C.K.Chang	C.S.Chang	7H3(4*5.5F)(5.58) 7H046LB5

TEMWELL CORPORATION

TEMWELL

Form10-7H3A Vision D

RP (C.S.C)

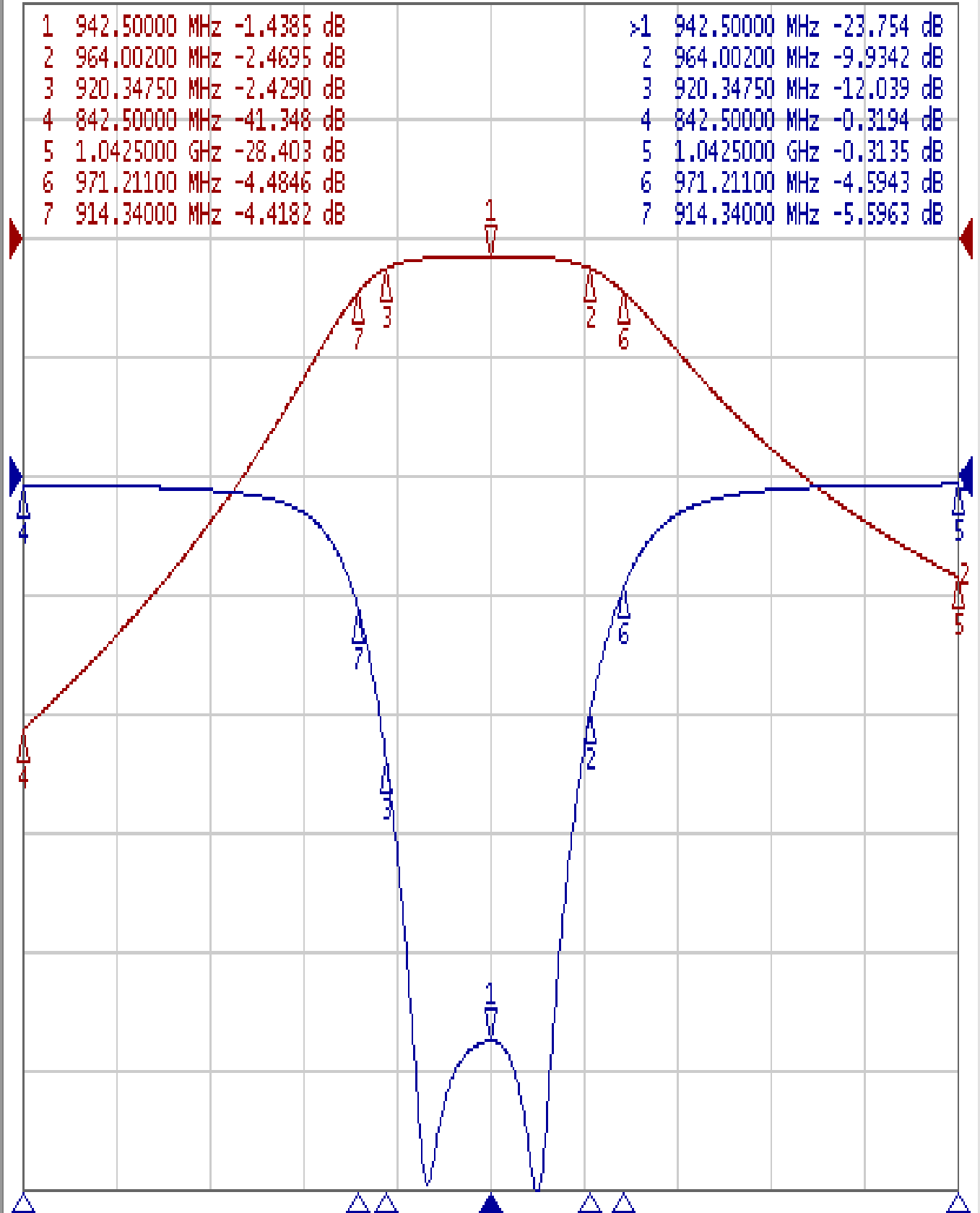
# Performance-TT67445A-942.5M

## 200903028CD

Tr1 S11 Log Mag 5.000dB/ Ref 0.000dB [F2]  
Tr2 S21 Log Mag 10.00dB/ Ref 0.000dB [F2]

1	942.50000 MHz	-1.4385 dB
2	964.00200 MHz	-2.4695 dB
3	920.34750 MHz	-2.4290 dB
4	842.50000 MHz	-41.348 dB
5	1.0425000 GHz	-28.403 dB
6	971.21100 MHz	-4.4846 dB
7	914.34000 MHz	-4.4182 dB

>1	942.50000 MHz	-23.754 dB
2	964.00200 MHz	-9.9342 dB
3	920.34750 MHz	-12.039 dB
4	842.50000 MHz	-0.3194 dB
5	1.0425000 GHz	-0.3135 dB
6	971.21100 MHz	-4.5943 dB
7	914.34000 MHz	-5.5963 dB



1 Center 942.5 MHz

IFBW 10 kHz

Span 200 MHz

