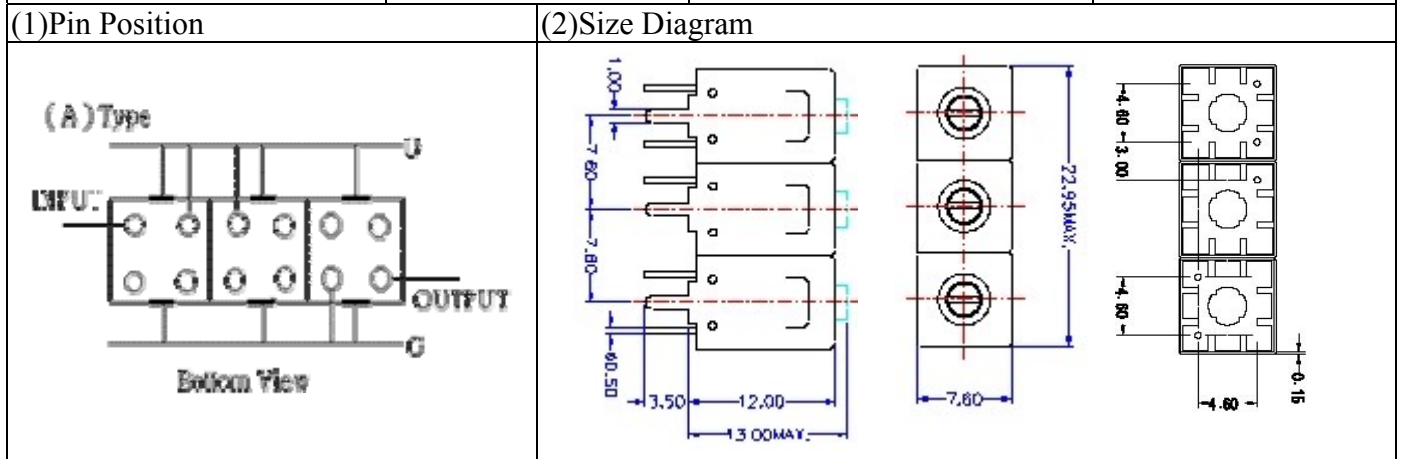


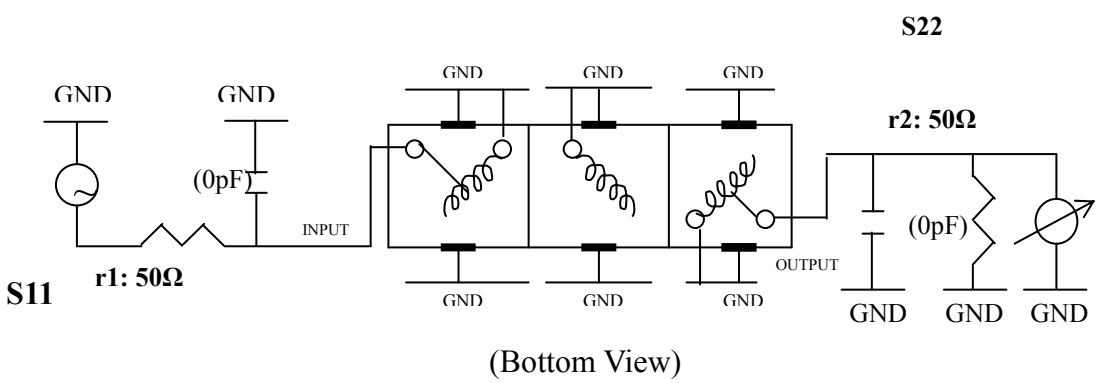
VHF UHF Helical Filter Specification Sheet

Customer Name		Temwell's Part No.	TT67448A-897.5M
Approval No. /dated		Customer's Print Name.	67448A 897.5M
Work Instruction No.	200903032CD	Date	Mar.23.2009



(3) Electric Characteristic		Item	Specify	Performance
Center Freq.(Fo) +/- 0.5 %			897.5 MHz	897.5 MHz
Tunable Range:			897.5±5 MHz	897.5±5 MHz
Insertion Loss		Typ.	2.5 dB	1.32 dB
-3 dB Bandwidth		Typ.	50 MHz	56.1 MHz
Sensitivity (Attenuation)	Fo - 100 MHz	Typ.	40 dBc	43 dBc
	Fo + 100 MHz	Typ.	25 dBc	28 dBc
	Fo - ()MHz	Typ.	dBc	dBc
	Fo +()MHz	Typ.	dBc	dBc
Return Loss		Min.	12 dB	30.3 dB
Ripple			< 1 dB	dB
Impedance			In / Out : 50 Ω	In / Out : 50 Ω
(4) Torque for Tuning Screw			> 100gf · cm	
(5) Temperature Condition:				
Operating Temperature			-0°C ~ +60°C	
Storage Temperature			-20°C ~ +70°C	
(6) Input Power			> 1 Watt	

(7) Measuring Circuit: ※Easy to match Impedance S11/S22 50Ω by parallel with about(0pF) / (0pF).



Approval	Supervisor	Designer	Aperture size
C.Y.Chang	C.K.Chang	C.S.Chang	7H3(4*5.5F)(5.60) 7H046LB5

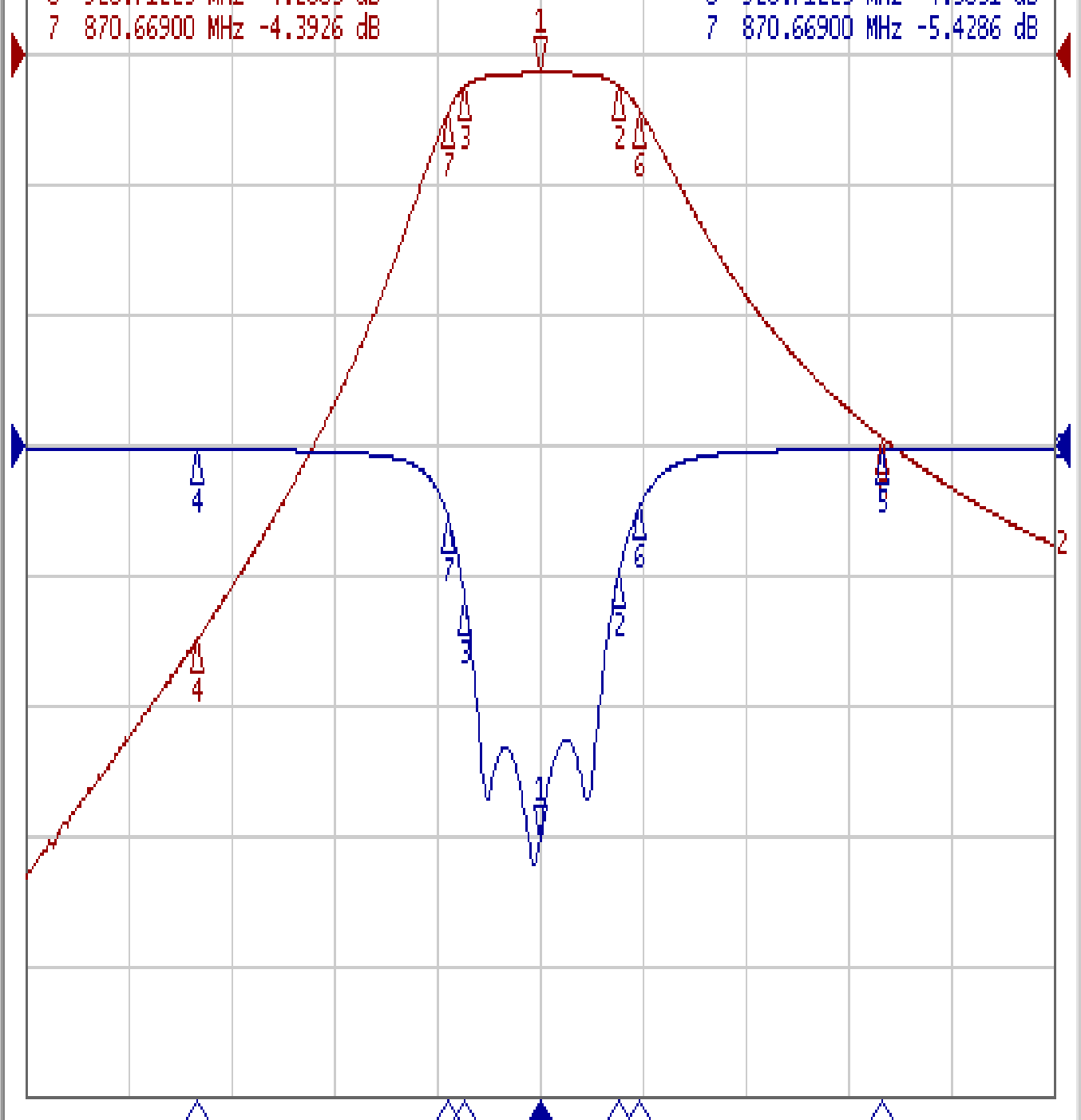
Performance-TT67448A-897.5M

200903032CD

Tr1 S11 Log Mag 10.00dB/ Ref 0.000dB [F2]
Tr2 S21 Log Mag 10.00dB/ Ref 0.000dB [F2]

1	897.50000 MHz	-1.3225 dB
2	920.70475 MHz	-2.3600 dB
3	875.64850 MHz	-2.4011 dB
4	797.50000 MHz	-44.902 dB
5	997.50000 MHz	-29.430 dB
6	926.71225 MHz	-4.2803 dB
7	870.66900 MHz	-4.3926 dB

>1	897.50000 MHz	-30.303 dB
2	920.70475 MHz	-9.7124 dB
3	875.64850 MHz	-11.774 dB
4	797.50000 MHz	-0.3066 dB
5	997.50000 MHz	-0.3006 dB
6	926.71225 MHz	-4.5831 dB
7	870.66900 MHz	-5.4286 dB



1 Center 897.5 MHz

IFBW 10 kHz

Span 300 MHz

C7 !