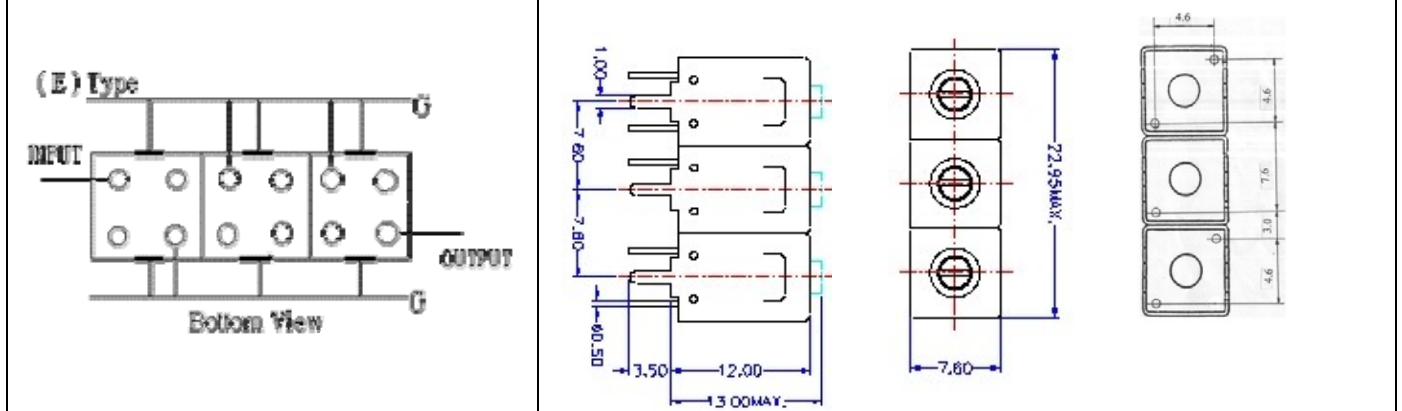


VHF UHF Helical Filter Specification Sheet

Customer Name		Temwell's Part No.	TT67449E-902.5M
Approval No. /dated	0607064DC	Acceptable Specify Fo Range	901~930MHz
Work Instruction No.	0607064DC	Date	Aug.07.2006

(1)Pin Position (2)Size Diagram



(3)Electric Character

Item	Specify	Performance	
Center Freq.(Fo) +/- 0.5 %	902.5 MHz	902.5 MHz	
Tunable Range	902.5±10 MHz	902.5±10 MHz	
Insertion Loss	Typ. 3.0 dB	2.10 dB	
-1 dB Bandwidth	Typ. 24 MHz	28.7 MHz	
-3 dB Bandwidth	Typ. 35 MHz	41 MHz	
Sensitivity (Attenuation)	Fo - 50 MHz	Typ. 20 dBc	23 dBc
	Fo + 50 MHz	Typ. 46 dBc	49 dBc
	Fo - ()MHz	Typ. dBc	dBc
	Fo +()MHz	Typ. dBc	dBc
Return Loss	Min. 12 dB	20.0 dB	
Ripple	< 1 dB	dB	
Impedance	In / Out : 50 Ω	In / Out : 50 Ω	

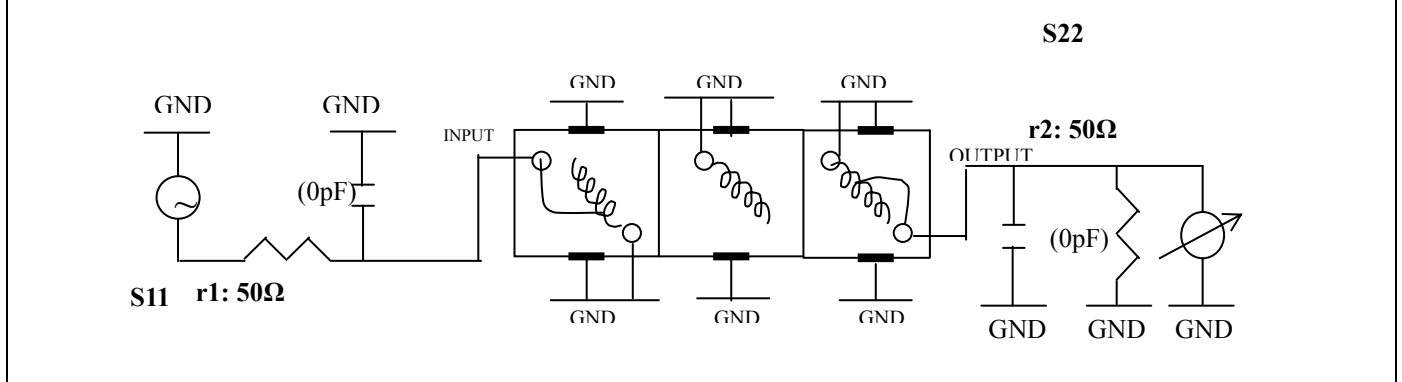
(4)Torque for Tuning Screw > 100gf • cm

(5)Temperature Condition:

Operating Temperature	0°C ~ +60°C
Storage Temperature	-20°C ~ +70°C

(6)Input Power > 1Watt

(7)Measuring Circuit: ※Easy to match Impedance S11/S22 50Ω/ by parallel with about(0 pF) / (0 pF).



(Bottom View)

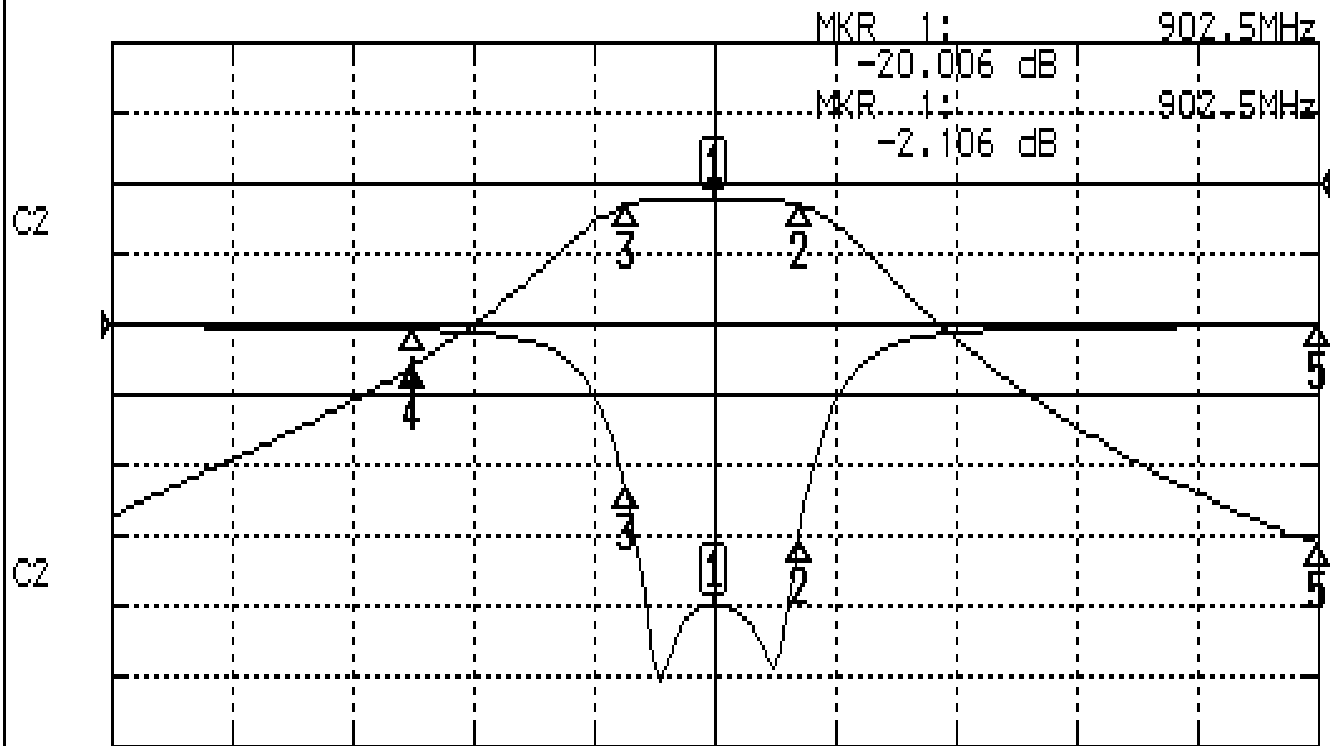
Approval	Supervisor	Designer	Aperture size
C.Y.Chang	C.S.Chang	P.H.Chiang	7H3(4*6.5)(6.59) 7H046LB4 聚 3

TEMWELL CORPORATION

Performance-TT67449E-902.5M

0607064DC

CH1 S11 LOG MAG REF 0.000 dB 5.000 dB/
CH2 S21 LOG MAG REF 0.000 dB 10.000 dB/



CENTER 902.5MHz

[10.00 dBm]

SPAN 200MHz

CH1 MARKER LIST

1:	902.500MHz	-20.006 dB
2:	916.500MHz	-15.324 dB
3:	887.833MHz	-11.664 dB
4:	852.500MHz	-0.351 dB
5:	1.002 500GHz	-0.092 dB

CH2 MARKER LIST

1:	902.500MHz	-2.106 dB
2:	916.500MHz	-3.155 dB
3:	887.833MHz	-3.132 dB
4:	852.500MHz	-25.939 dB
5:	1.002 500GHz	-51.032 dB