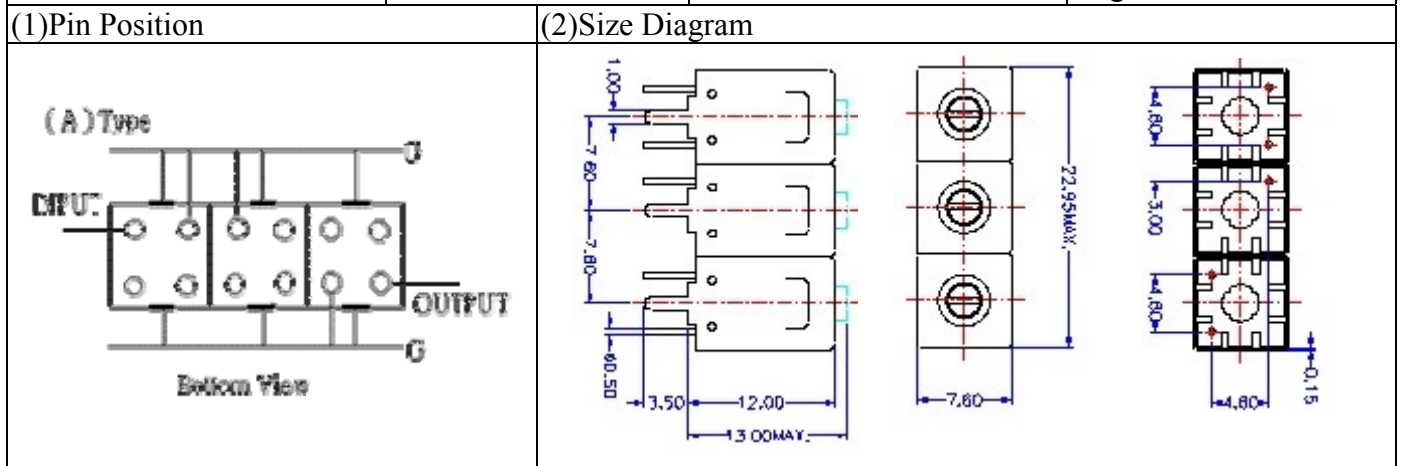


# VHF UHF Helical Filter Specification Sheet

Customer Name		Temwell's Part No.	TT67450A-836.5M
Approval No. /dated	20102060DC	Acceptable Fo Specify Range	831-860MHz
Work Instruction No.	20102060DC	Date	Aug.08.2006



(3) Electric Character

Item	Specify	Performance
Center Freq.(Fo) +/- 0.5 %	836.5 MHz	836.5 MHz
Tunable Range	836.5±10 MHz	836.5 ±10 MHz
Insertion Loss	Typ. 3.0 dB	1.76 dB
-1 dB Bandwidth	Typ. 23 MHz	28 MHz
-3 dB Bandwidth	Typ. 32 MHz	37 MHz
Sensitivity (Attenuation)	Fo - 50 MHz	Typ. 23 dBc
	Fo + 50 MHz	Typ. 16 dBc
	Fo - ( )MHz	Typ. dBc
	Fo +( )MHz	Typ. dBc
Return Loss	Min. 12 dB	21.7 dB
Ripple	< 1 dB	dB
Impedance	In / Out : 50 Ω	In / Out : 50 Ω
(4) Torque for Tuning Screw	> 100gf • cm	

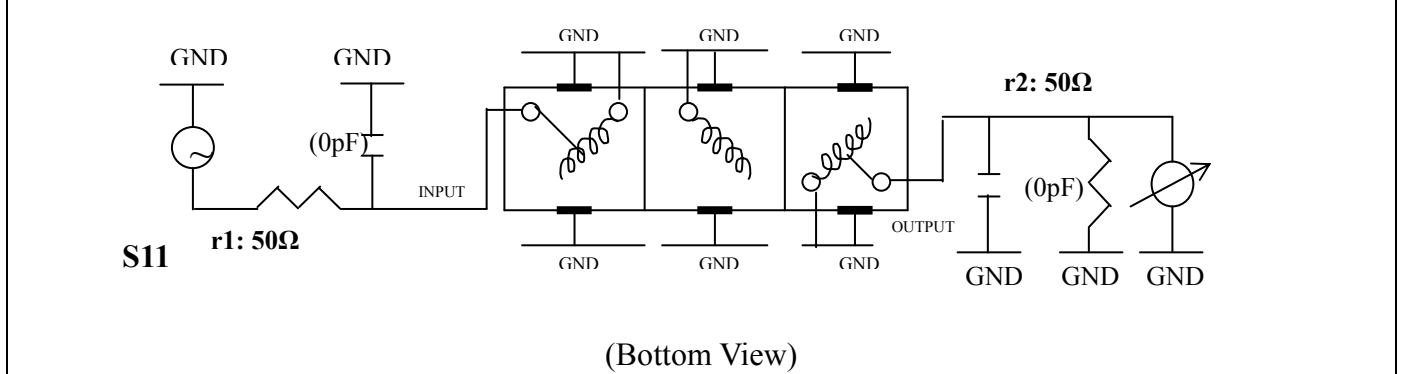
(5) Temperature Condition:

Operating Temperature	0°C ~ +60°C
Storage Temperature	-20°C ~ +70°C

(6) Input Power

> 1Watt

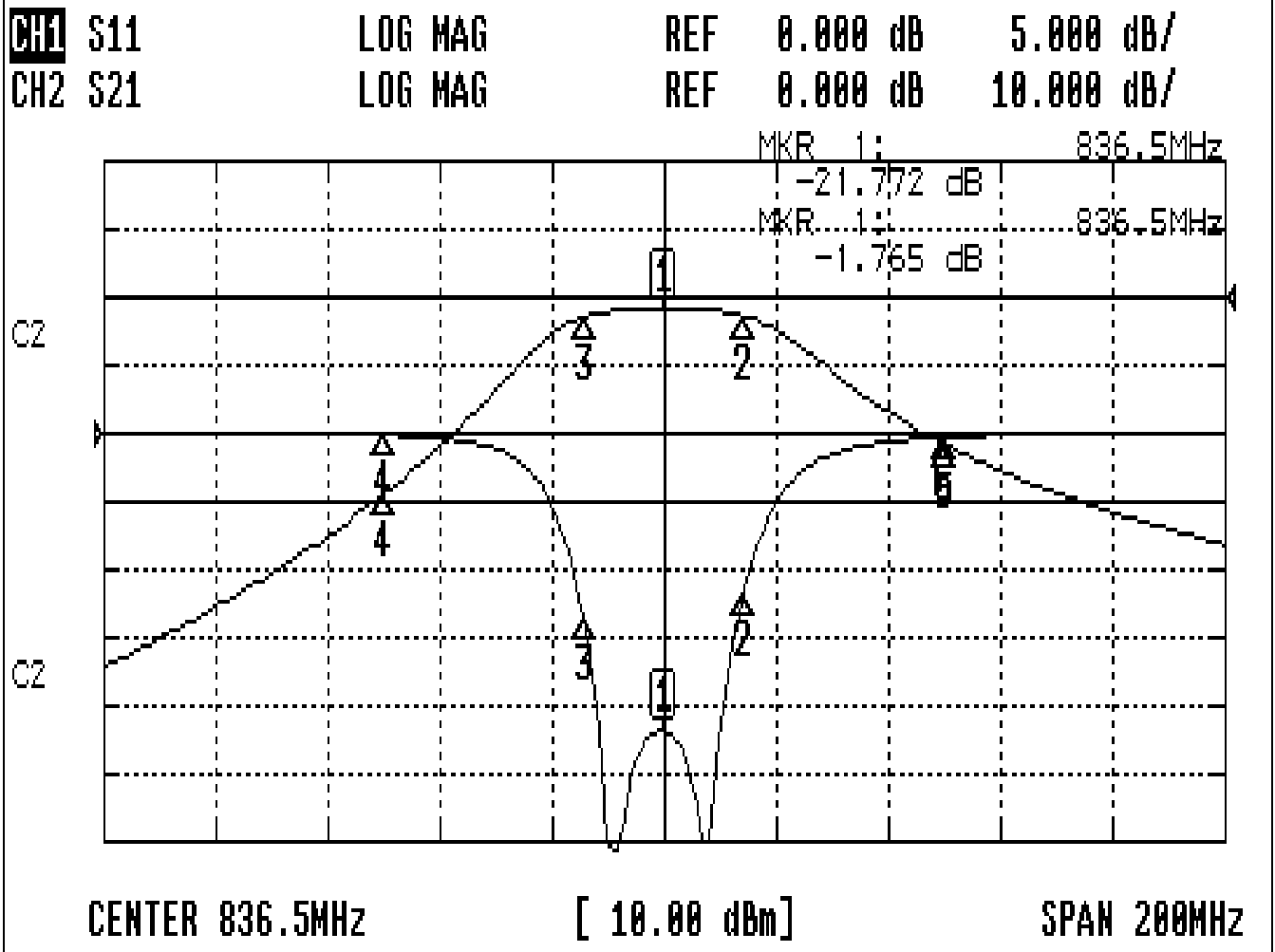
(7) Measuring Circuit: ※Easy to match Impedance S11/S22 50Ω by parallel with about(0pF) / (0pF).



Approval	Supervisor	Designer	Aperture size
C.Y.Chang	C.S.Chang	C.S.Chang	7H3(4*4.65)(4.72) 7H046LB4
TEMWELL CORPORATION			

# Performance-TT67450A-836.5M

## 20102060DC



### CH1 MARKER LIST

1	836.500MHz	-21.772 dB
2	850.833MHz	-11.750 dB
3	822.833MHz	-13.890 dB
4	786.500MHz	-0.112 dB
5	886.500MHz	-0.265 dB

### CH2 MARKER LIST

1	836.500MHz	-1.765 dB
2	850.833MHz	-2.744 dB
3	822.833MHz	-2.779 dB
4	786.500MHz	-28.899 dB
5	886.500MHz	-21.524 dB