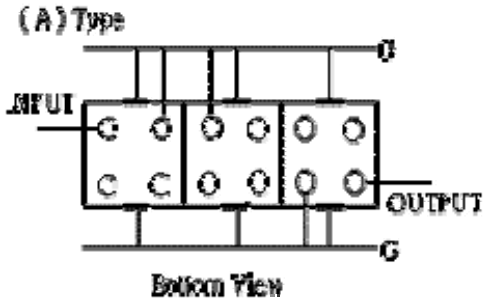
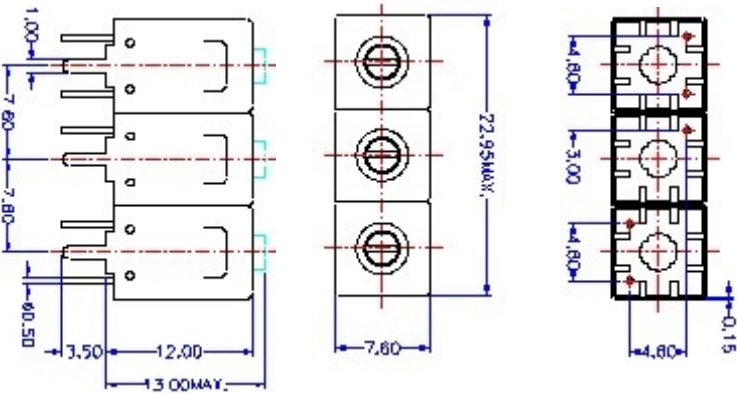


VHF UHF Helical Filter Specification Sheet

Customer Name		Temwell's Part No.	TT67451A-881.5M
Approval No. /dated	20102062DC	Acceptable Specify Fo. Range	861~900MHz
Work Instruction No.	20102062DC	Date	

(1)Pin Position	(2)Size Diagram
 <p>(A)Type Bottom View</p>	

(3)Electric Character			
Item		Specify	Performance
Center Freq.(Fo) +/- 0.5 %		881.5 MHz	881.5 MHz
Tunable Range		881.5±10 MHz	881.5±10 MHz
Insertion Loss		Typ. 3.0 dB	2.0 dB
-1 dB Bandwidth		Typ. 25 MHz	30 MHz
-3 dB Bandwidth		Typ. 30 MHz	36 MHz
Sensitivity (Attenuation)	Fo -100 MHz	Typ. 44 dBc	47 dBc
	Fo +100 MHz	Typ. 29 dBc	32 dBc
	Fo - ()MHz	Typ. dBc	dBc
	Fo +()MHz	Typ. dBc	dBc
Return Loss		Min. 12 dB	18.8 dB
Ripple		< 1 dB	dB
Impedance		In / Out : 50 Ω	In / Out : 50 Ω

(4)Torque for Tuning Screw	> 100gf • cm
----------------------------	--------------

(5)Temperature Condition:	
Operating Temperature	0°C ~ +60°C
Storage Temperature	-20°C ~ +70°C

(6)Input Power	> 1Watt
----------------	---------

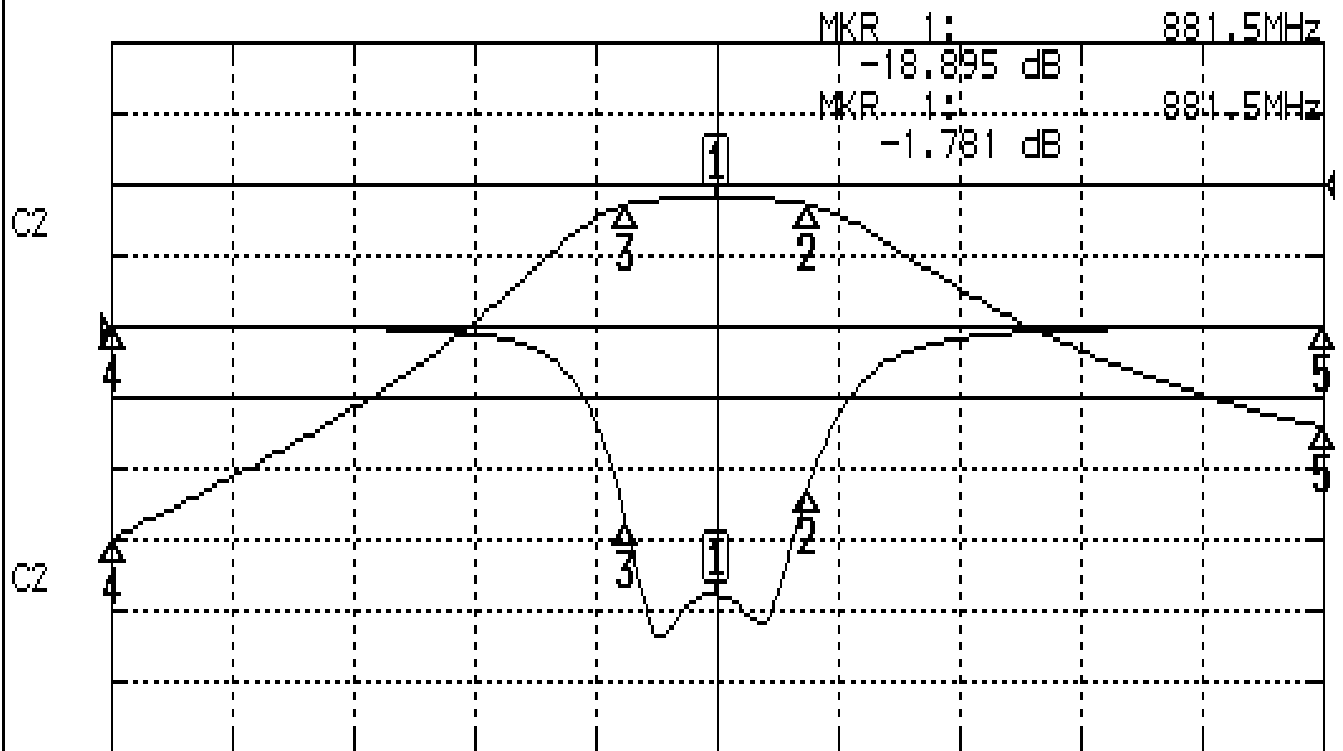
Approval	Supervisor	Designer	Aperture size
C.Y.Chang	C.S.Chang	C.S.Chang	7H3S(4*6.5)F 7H046LB5

TEMWELL CORPORATION

Performance-TT67451A-881.5M

20102062DC

CH1 S11 LOG MAG REF 0.000 dB 5.000 dB/
CH2 S21 LOG MAG REF 0.000 dB 10.000 dB/



CENTER 881.5MHz

[10.00 dBm]

SPAN 200MHz

CH1 MARKER LIST

1	881.500MHz	-18.895	dB
2	896.500MHz	-11.573	dB
3	866.666MHz	-13.740	dB
4	781.500MHz	0.079	dB
5	981.500MHz	0.052	dB

CH2 MARKER LIST

1	881.500MHz	-1.780	dB
2	896.500MHz	-2.751	dB
3	866.666MHz	-2.755	dB
4	781.500MHz	-49.689	dB
5	981.500MHz	-34.197	dB