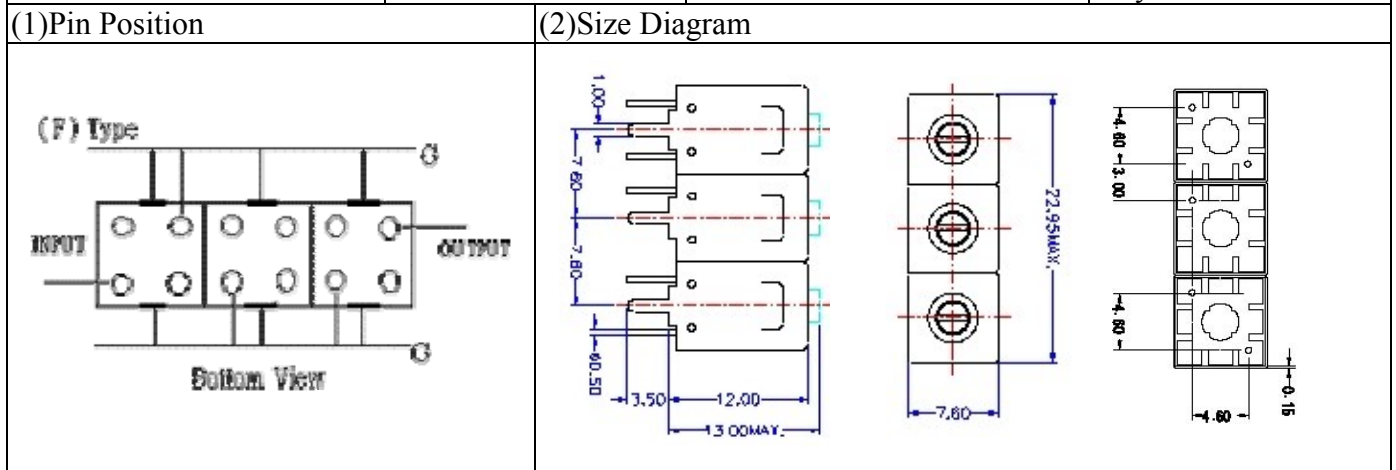


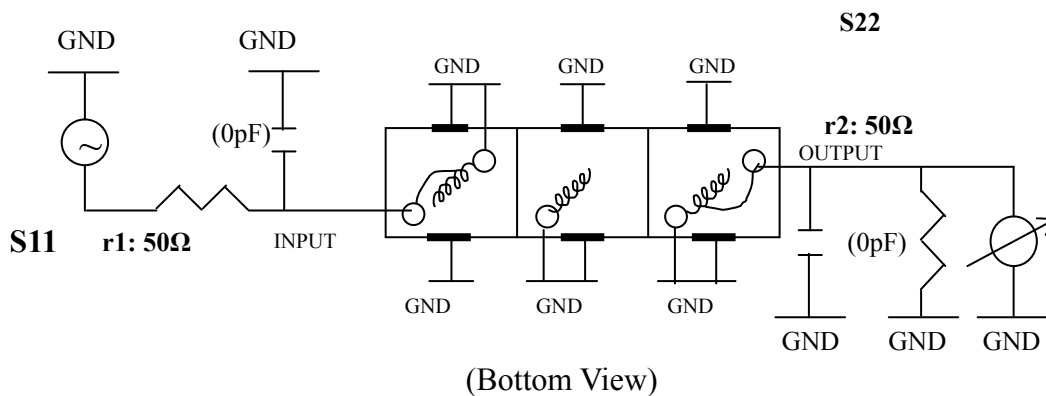
VHF UHF Helical Filter Specification Sheet

Customer Name		Temwell's Part No.	TT67451F-881.5M
Approval No. /dated	0905038CD	Temwell's print name	67451F 881.5M
Work Instruction No.	200905038CD	Date	May.20.2009



(3) Electric Characteristic					
Item		Specify		Performance	
Center Freq.(Fo) +/- 0.5 %		881.5 MHz		881.5 MHz	
Insertion Loss		Typ. 3.0 dB		1.58 dB	
-3 dB Bandwidth		Typ. 25 MHz		36.0 MHz	
Sensitivity (Attenuation)	Fo - 45 MHz	Typ. 26 dBc		27 dBc	
	Fo + 45 MHz	Typ. 17 dBc		18 dBc	
	Fo - ()MHz	Typ. dBc		dBc	
	Fo +()MHz	Typ. dBc		dBc	
Return Loss		Min. 12 dB		22.9 dB	
Ripple		< 1 dB		dB	
Impedance		In / Out : 50 Ω		In / Out : 50 Ω	
(4) Torque for Tuning Screw		> 100gf • cm			
(5) Temperature Condition:					
Operating Temperature		0°C ~ +60°C			
Storage Temperature		-20°C ~ +70°C			
(6) Input Power		> 1Watt			

(7) Measuring Circuit: ※Easy to match Impedance S11/S22 50Ω by parallel with about(0pF) / (0pF).



Approval C.Y.Chang	Supervisor C.K.Chang	Designer Y.H.Yeh	Aperture size 7H3S(4*6.5)(6.59) 7H046LB4.3 聚 3
-----------------------	-------------------------	---------------------	--

TEMWELL CORPORATION

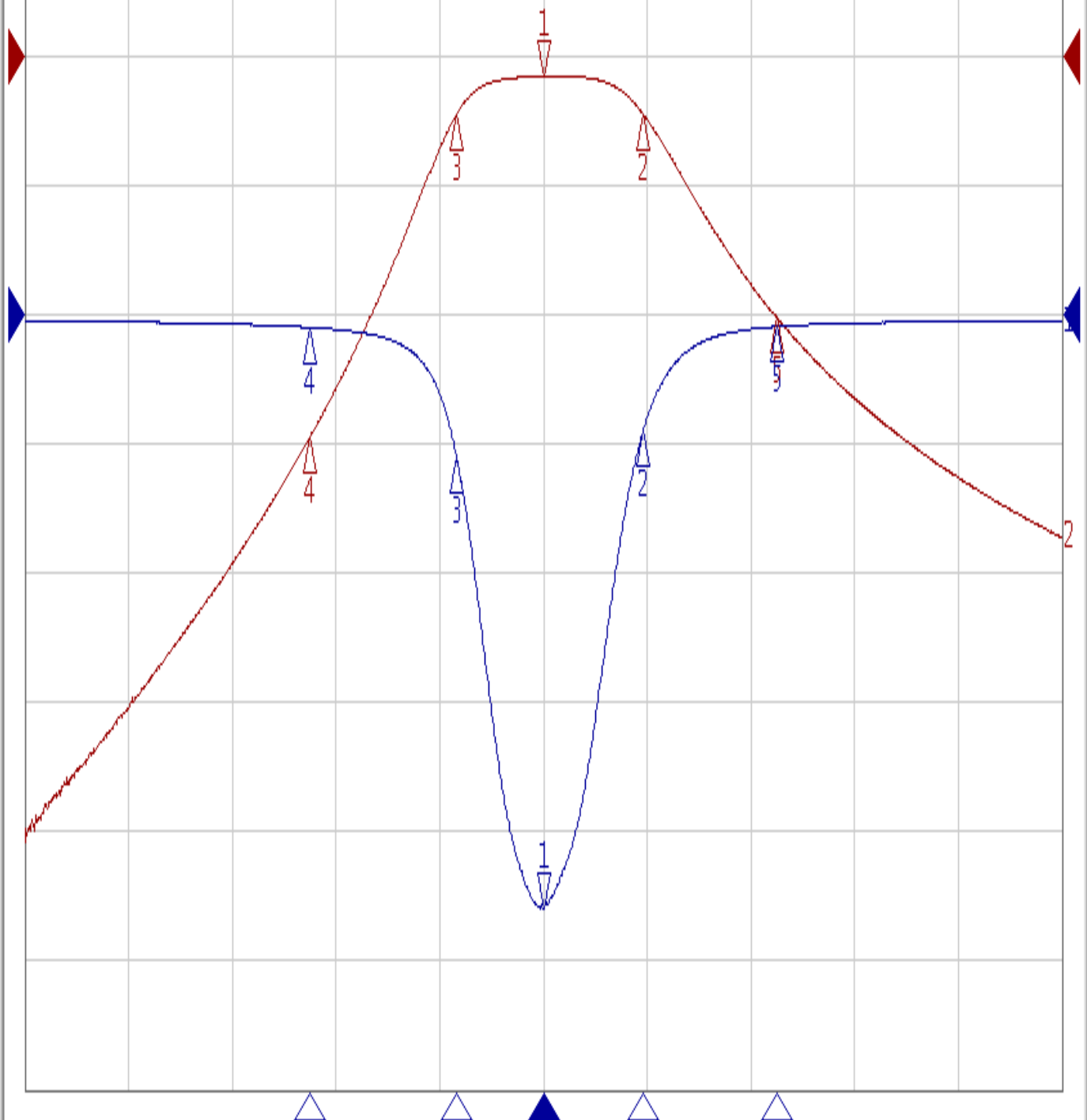
Performance-TT67451F-881.5M

200905038CD

Tr1 S11 Log Mag 5.000dB/ Ref 0.000dB [F2]
Tr2 S21 Log Mag 10.00dB/ Ref 0.000dB [F2]

>1	881.50000	MHz	-22.944	dB
2	900.79933	MHz	-4.4648	dB
3	864.76933	MHz	-5.5151	dB
4	836.50000	MHz	-0.5041	dB
5	926.50000	MHz	-0.4681	dB

1	881.50000	MHz	-1.5859	dB
2	900.79933	MHz	-4.5275	dB
3	864.76933	MHz	-4.4873	dB
4	836.50000	MHz	-29.450	dB
5	926.50000	MHz	-20.252	dB



1 Center 881.5 MHz

IFBW 10 kHz

Span 200 MHz Cor !