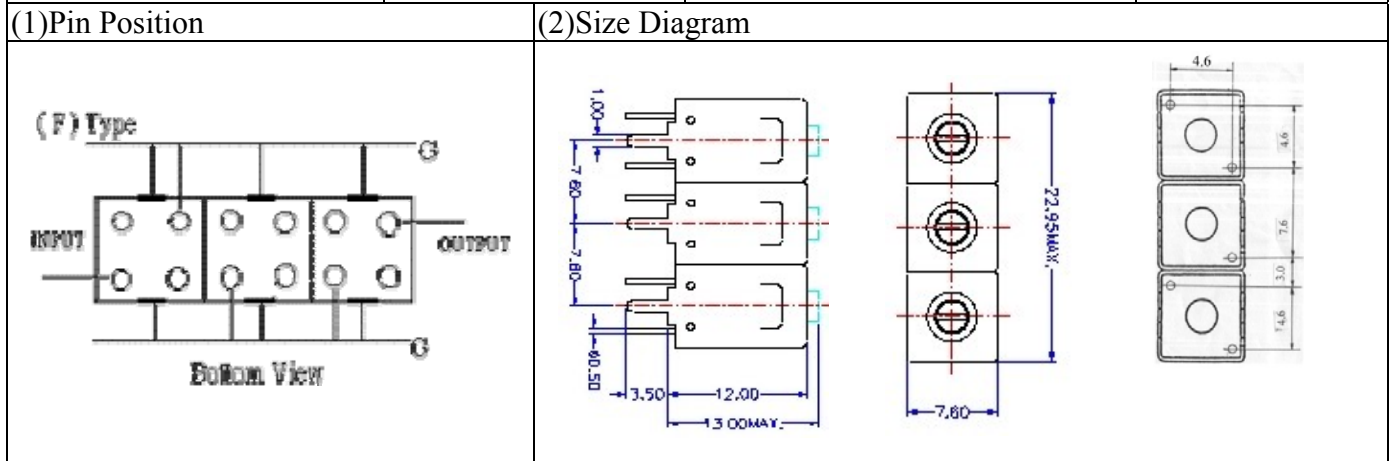


VHF UHF Helical Filter Specification Sheet

Customer Name		Temwell's Part No.	TT67456F-524M
Approval No. /dated	20103017DC	Acceptable Specify Fo Range	516~555MHz
Work Instruction No.	20103017DC	Date	Dec.20.2006



(3) Electric Charasteric

Item	Specify	Performance	
Center Freq.(Fo) +/- 0.5 %	524 MHz	524 MHz	
Tunable Range	524±5 MHz	524±5 MHz	
Insertion Loss	Typ. 3.5 dB	2.5 dB	
-3 dB Bandwidth	Typ. 10 MHz	14.5 MHz	
Sensitivity (Attenuation)	Fo - 50 MHz	Typ. 58 dBc	61 dBc
	Fo + 50 MHz	Typ. 50 dBc	53 dBc
	Fo - ()MHz	Typ. dBc	dBc
	Fo +()MHz	Typ. dBc	dBc
Return Loss	Min. 12 dB	26.2 dB	
Ripple	< 1 dB	dB	
Impedance	In / Out : 50 Ω	In / Out : 50 Ω	

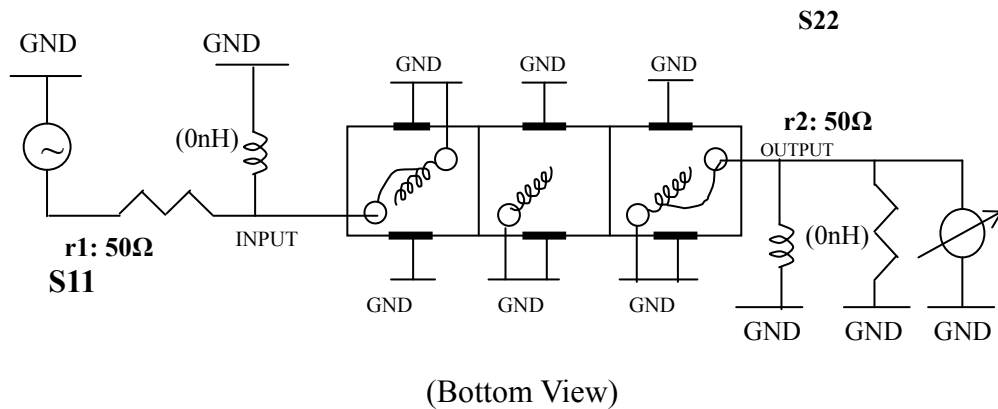
(4) Torque for Tuning Screw > 100gf · cm

(5) Temperature Condition:

Operating Temperature	0°C ~ +60°C
Storage Temperature	-20°C ~ +70°C

(6) Input Power > 1Watt

(7) Measuring Circuit: ※Easy to match Impedance S11/S22 50Ω by parallel with about(0nH) / (0nH).

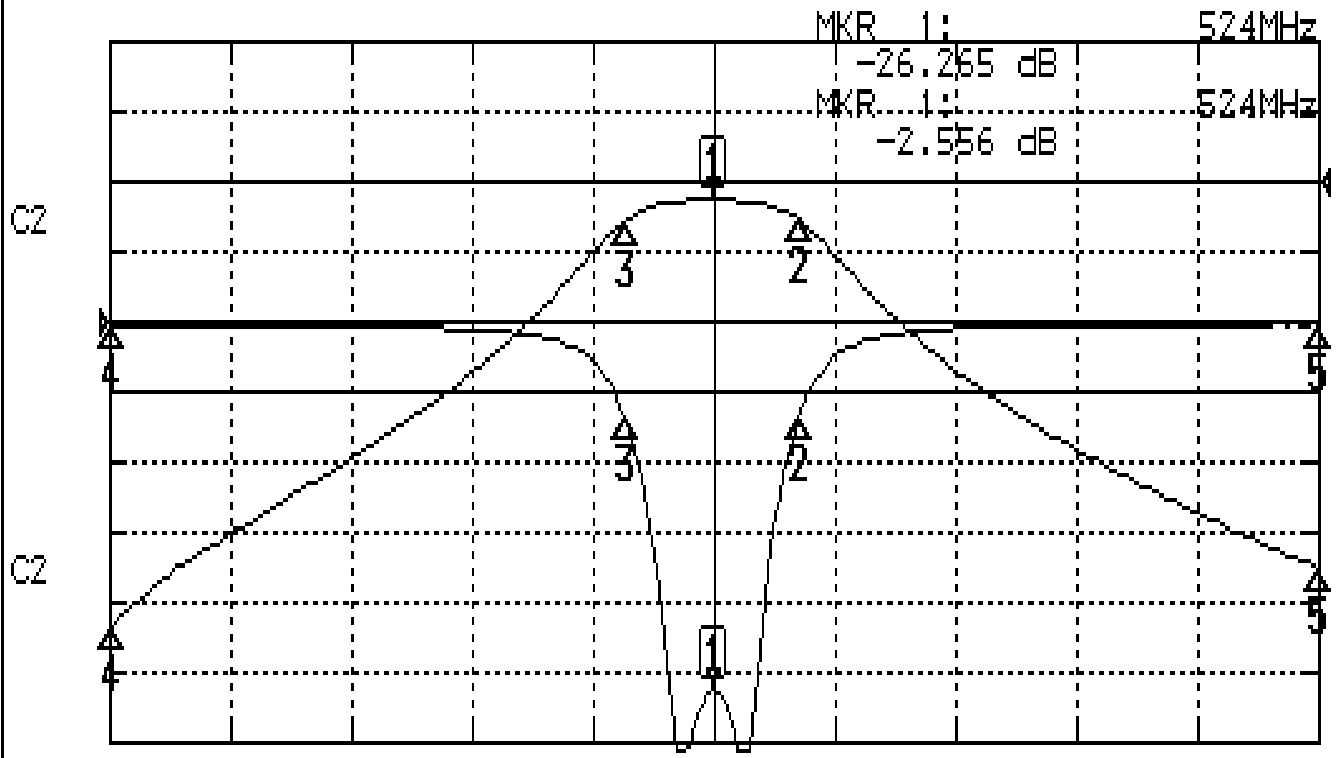


Approval	Supervisor	Designer	Aperture size
C.Y.Chang	C.S.Chang	P.H.Chiang	7H3(4*5.5)F 7H046LB4 聚 3
TEMWELL CORPORATION			

Performance-TT67456F-524M

20103017DC

CH1	S11	LOG MAG	REF	0.000 dB	5.000 dB/
CH2	S21	LOG MAG	REF	0.000 dB	10.000 dB/



CENTER 524MHz

[10.00 dBm]

SPAN 100MHz

CH1 MARKER LIST

1:	524.000MHz	-26.265	dB	
2:	531.166MHz	-1.000	dB	
3:	516.666MHz	-1.800	dB	
4:	474.000MHz	-0.177	dB	
5:	574.000MHz	-0.150	dB	

CH2 MARKER LIST

1:	524.000MHz	-2.556	dB	
2:	531.166MHz	-1.567	dB	
3:	516.666MHz	-1.541	dB	
4:	474.000MHz	-3.635	dB	
5:	574.000MHz	-55.266	dB	