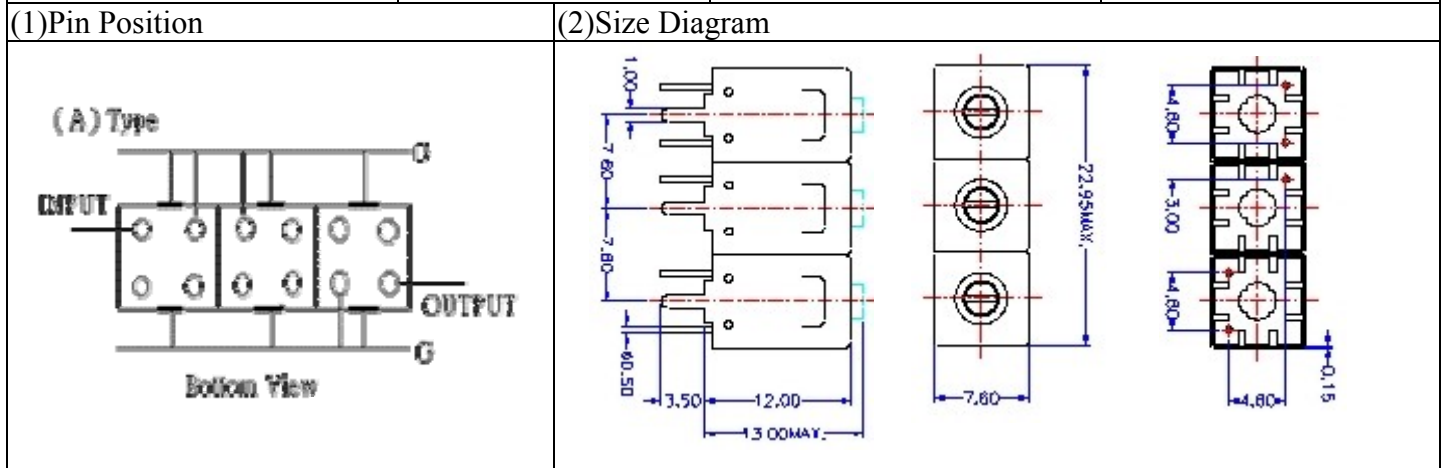


# VHF UHF Helical Filter Specification Sheet

Customer Name		Temwell's Part No.	TT67458A-367M
Approval No. /dated	20103020DC	Acceptable Specify Fo Range	356~400 MHz
Work Instruction No.	20103020DC	Date	Sep.13.2006



(3) Electric Character

Item	Specify	Performance	
Center Freq.(Fo) +/- 0.5 %	367 MHz	367 MHz	
Tunable Range	367±4 MHz	367±4 MHz	
Insertion Loss	Typ. 4.0 dB	2.80 dB	
-1dB Bandwidth	Typ. 7 MHz	9.7 MHz	
-3dB Bandwidth	Typ. 8 MHz	11 MHz	
Sensitivity (Attenuation)	Fo - 40 MHz	Typ. 54 dBc	55 dBc
	Fo + 20 MHz	Typ. 26 dBc	27 dBc
	Fo - ( )MHz	Typ. dBc	dBc
	Fo +( )MHz	Typ. dBc	dBc
Return Loss	Min. 12 dB	18.0 dB	
Ripple	< 1 dB	dB	
Impedance	In / Out : 50 Ω	In / Out : 50 Ω	
(4) Torque for Tuning Screw	> 100gf · cm		

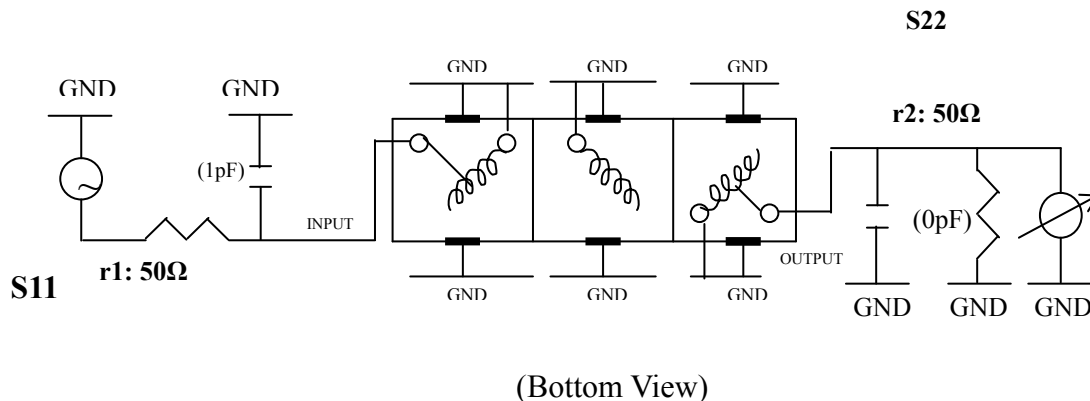
(5) Temperature Condition:

Operating Temperature	0°C ~ +60°C
Storage Temperature	-20°C ~ +70°C

(6) Input Power

> 1Watt

(7) Measuring Circuit: ※Easy to match Impedance S11/S22 50Ω by parallel with about(1 pF) / (0 pF).

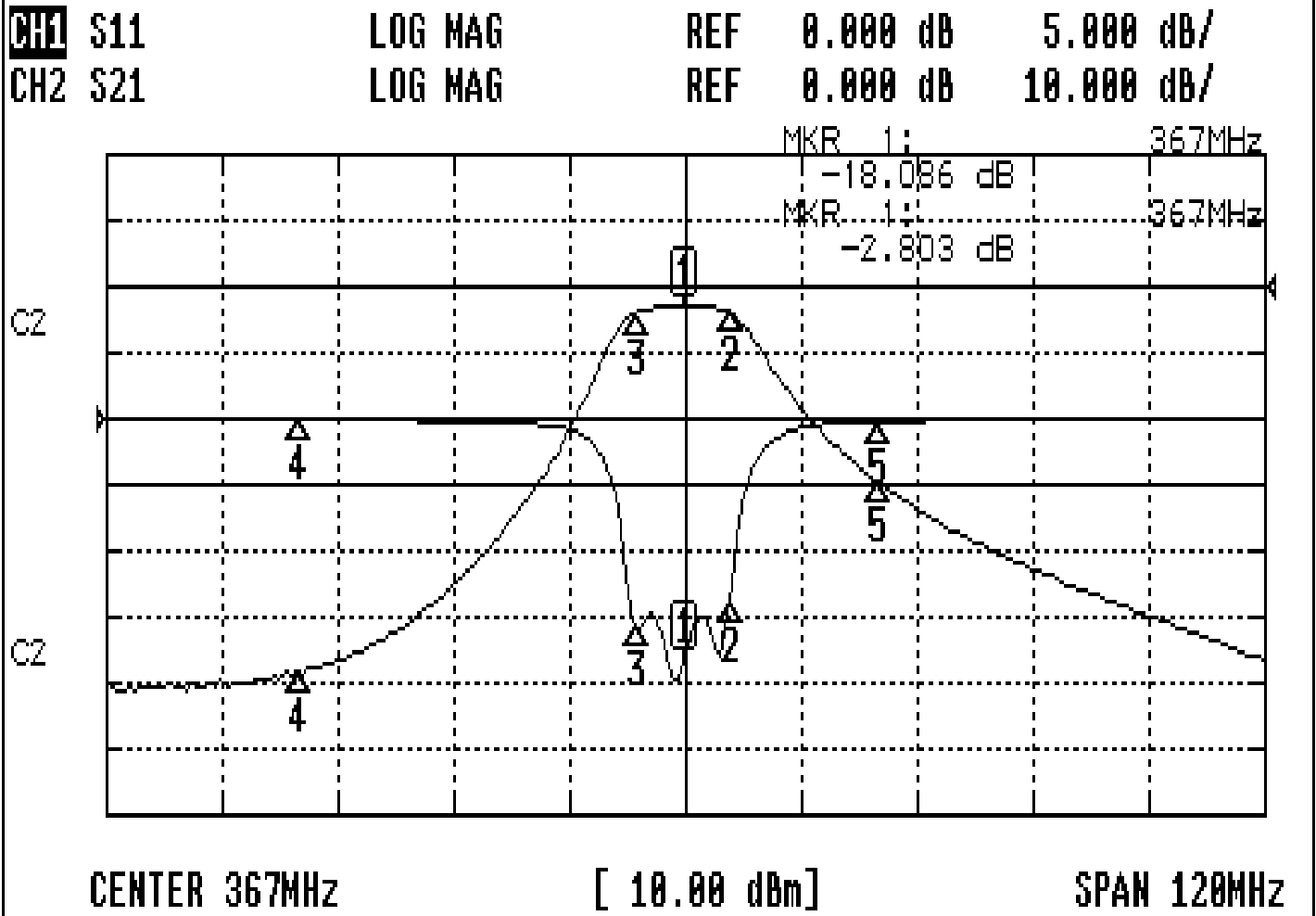


Approval C.Y.Chang	Supervisor C.S.Chang	Designer P.H.Chiang	Aperture size 7H3(4*5.5)(5.57) 7H046LB4 聚 3
-----------------------	-------------------------	------------------------	---

TEMWELL CORPORATION

# Performance-TT67458A-367M

## 20103020DC



### CH1 MARKER LIST

1:	367.000MHz	-18.086	dB
2:	371.600MHz	-13.677	dB
3:	361.900MHz	-15.688	dB
4:	327.000MHz	-0.087	dB
5:	387.000MHz	-0.212	dB

### CH2 MARKER LIST

1:	367.000MHz	-2.803	dB
2:	371.600MHz	-1.000	dB
3:	361.900MHz	-1.000	dB
4:	327.000MHz	-15.000	dB
5:	387.000MHz	-29.653	dB