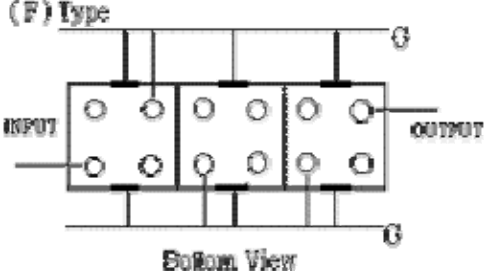
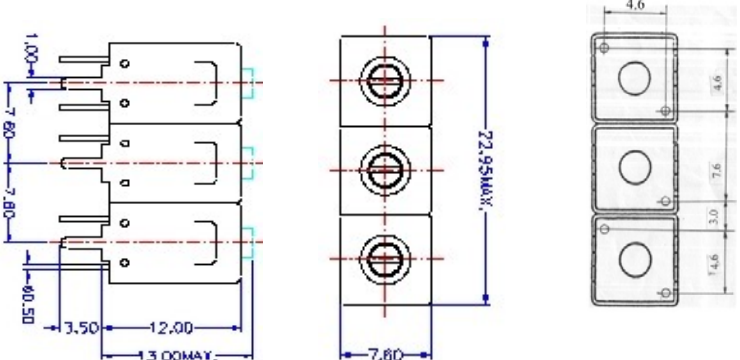


VHF UHF Helical Filter Specification Sheet

Customer Name		Temwell's Part No.	TT67458F-383M
Approval No. /dated	20302039DC	Acceptable Specify Fo. Range	356~400MHz
Work Instruction No.	20302039DC	Date	

<p>(1) Pin Position</p>  <p style="text-align: center;">Bottom View</p>	<p>(2) Size Diagram</p> 
--	--

(3) Electric Characteristic			
Item	Specify	Performance	
Center Freq.(Fo) +/- 0.5 %	383 MHz	383 MHz	
Tunable Range:	383±4 MHz	383±4 MHz	
Insertion Loss	Typ. 3.5 dB	2.5 dB	
-1 dB Bandwidth	Typ. 9 MHz	11 MHz	
-3 dB Bandwidth	Typ. 12 MHz	15 MHz	
Sensitivity (Attenuation)	Fo - 30 MHz	Typ. 45 dBc	47 dBc
	Fo + 30 MHz	Typ. 26 dBc	28 dBc
	Fo - ()MHz	Typ. dBc	dBc
	Fo +()MHz	Typ. dBc	dBc
Return Loss	Min. 12 dB	25.1 dB	
Ripple	< 1 dB	dB	
Impedance	In / Out : 50 Ω	In / Out : 50 Ω	
(4) Torque for Tuning Screw			
> 100gf • cm			
(5) Temperature Condition:			
Operating Temperature		0°C ~ +60°C	
Storage Temperature		-20°C ~ +70°C	
(6) Input Power			
> 1Watt			
Approval	Supervisor	Designer	Aperture size
C.Y.Chang	C.S.Chang	C.S.Chang	7H3S(4*6.5)F 7H046LB4 聚 3

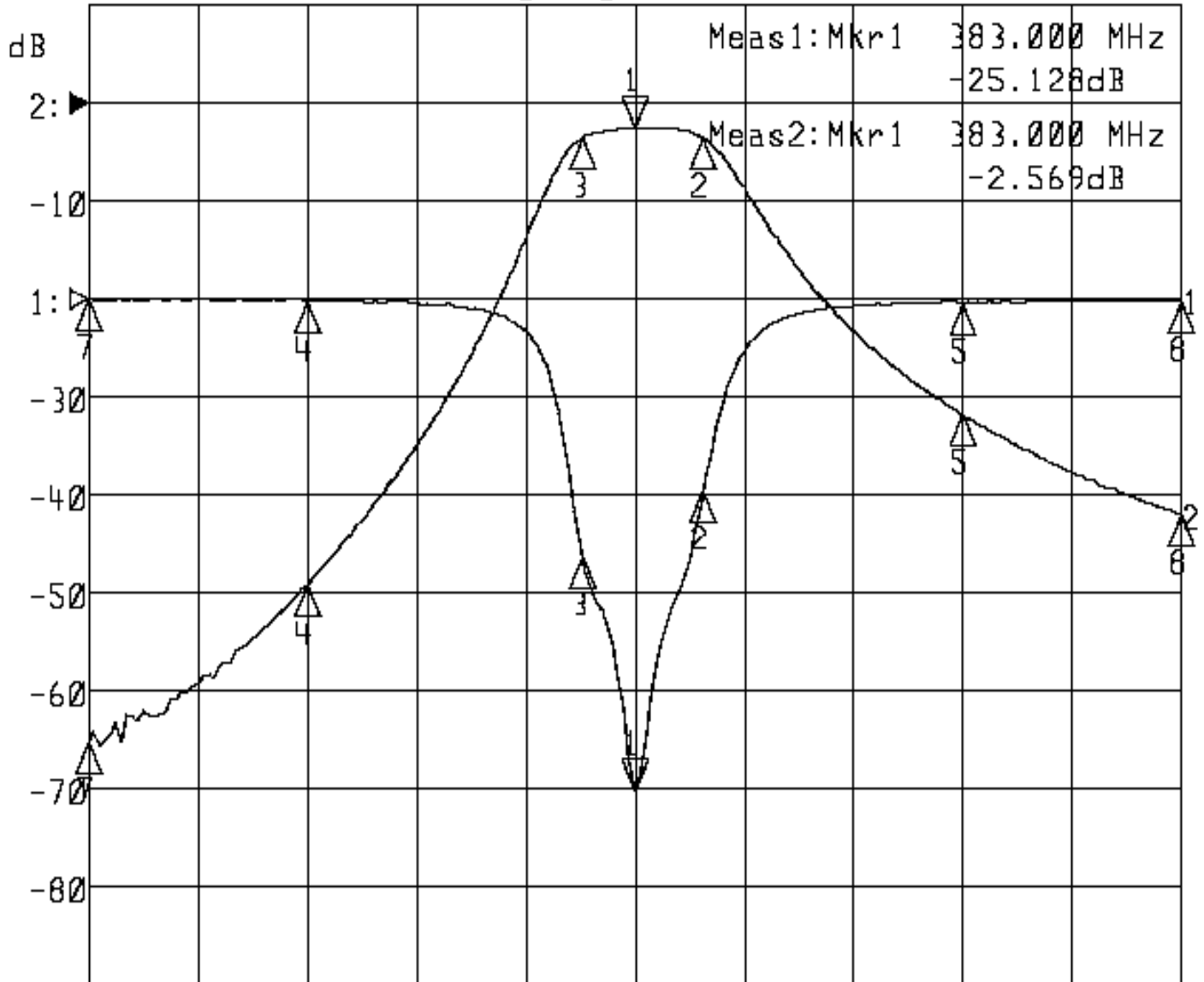
TEMWELL CORPORATION

Performance-TT67458F-383M

20302039DC

▶1:S11 Refl Port1 Log Mag 5.0 dB/ Ref 0.00 dB C

▶2:S21 Fwd Trans Log Mag 10.0 dB/ Ref 0.00 dB C



Center 383.000 MHz

Span 100.000 MHz

1: Mkr (MHz)	dB	2: Mkr (MHz)	dB
1> 383.0000	-25.128	1> 383.0000	-2.569
2: 389.2667	-9.791	2: 389.2667	-3.543
3: 378.2333	-13.182	3: 378.2333	-3.548
4: 353.0000	-0.140	4: 353.0000	-49.202
5: 413.0000	-0.217	5: 413.0000	-31.864
7: 333.0000	0.003	7: 333.0000	-65.129
8: 432.9667	-0.088	8: 432.9667	-42.023