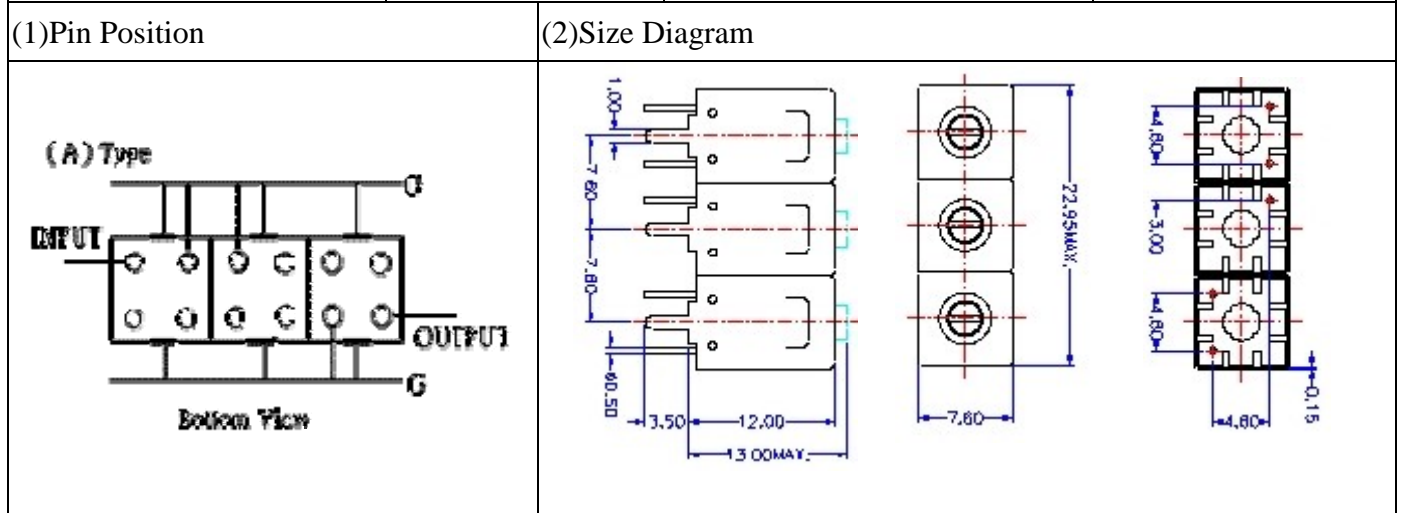


VHF UHF Helical Filter Specification Sheet

Customer Name		Temwell's Part No.	TT67461A-395M
Approval No. /dated	20103024DC	Acceptable Specify Fo. Range	356~400MHz
Work Instruction No.	20103024DC	Date	



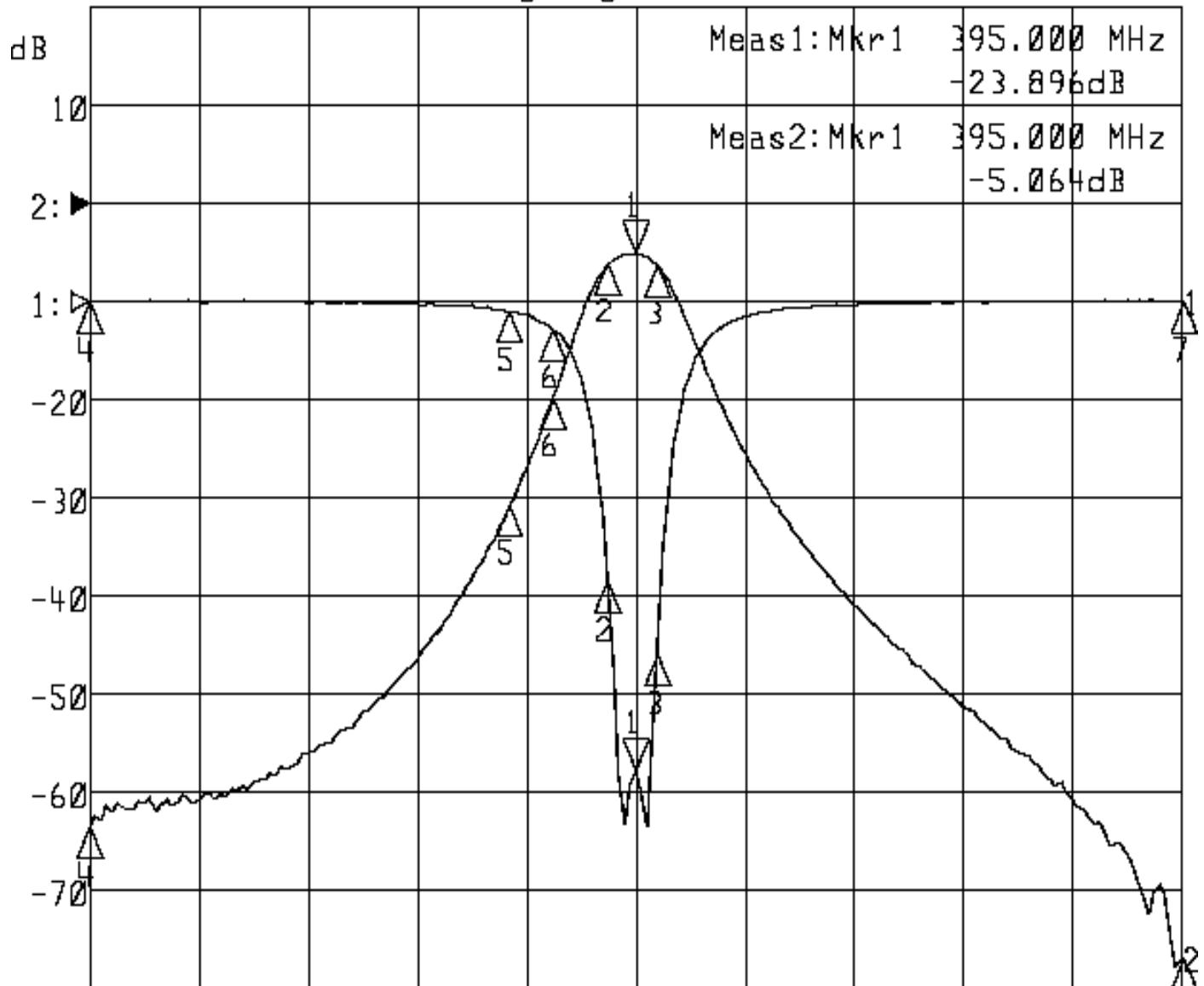
(3) Electric Character			
Item		Specify	Performance
Center Freq.(Fo) +/- 0.5 %		395 MHz	395 MHz
Insertion Loss		Typ. 6.0 dB	5.0 dB
-1 dB Bandwidth		Typ. 2 MHz	4.5 MHz
-3 dB Bandwidth		Typ. 4 MHz	6 MHz
Sensitivity (Attenuation)	Fo -50 MHz	Typ. 56 dBc	58 dBc
	Fo +50 MHz	Typ. 65 dBc	71 dBc
	Fo - ()MHz	Typ. dBc	dBc
	Fo +()MHz	Typ. dBc	dBc
Return Loss		Min. 12 dB	23.8 dB
Ripple		< 1 dB	dB
Impedance		In / Out : 50 Ω	In / Out : 50 Ω
(4) Torque for Tuning Screw		> 100gf • cm	
(5) Temperature Condition:			
Operating Temperature		0°C ~ +60°C	
Storage Temperature		-20°C ~ +70°C	
(6) Input Power		> 1Watt	
Approval	Supervisor	Designer	Aperture size
C.Y.Chang	C.S.Chang	C.S.Chang	7H3S(4*6.5)F 7H046LB4 聚 3

TEMWELL CORPORATION

Performance-TT67461A-395M

20103024DC

▶1: S11 Refl Port1 Log Mag 5.0 dB/ Ref 0.00 dB C
 ▶2: S21 Fwd Trans Log Mag 10.0 dB/ Ref 0.00 dB C



Center 395.000 MHz

Span 100.000 MHz

1: Mkr (MHz)	dB	2: Mkr (MHz)	dB
1> 395.0000	-23.896	1> 395.0000	-5.064
2: 392.5000	-14.260	2: 392.5000	-6.117
3: 396.9000	-17.986	3: 396.9000	-6.161
4: 345.0000	-0.007	4: 345.0000	-63.375
5: 383.5000	-0.498	5: 383.5000	-30.771
6: 387.5000	-1.431	6: 387.5000	-19.674
7: 445.0000	0.034	7: 445.0000	-76.996