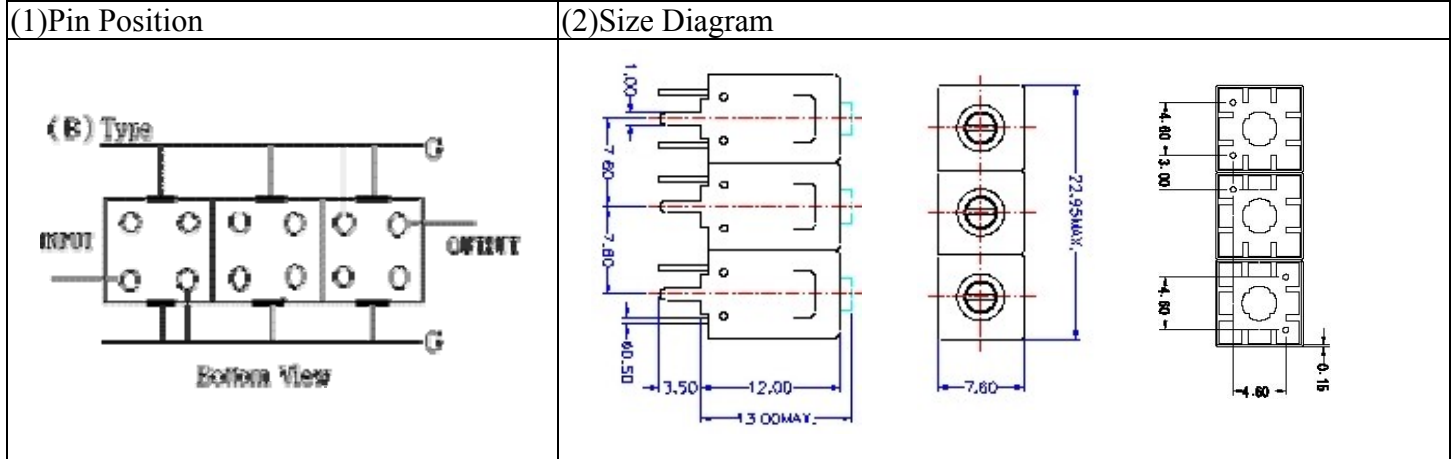


# VHF UHF Helical Filter Specification Sheet

Customer Name		Temwell's Part No.	TT67466B-430M
Approval No. /dated	20105039A	Acceptable Specify Fo Range	401~455MHz
Work Instruction No.	20105039A	Date	May.8,2001

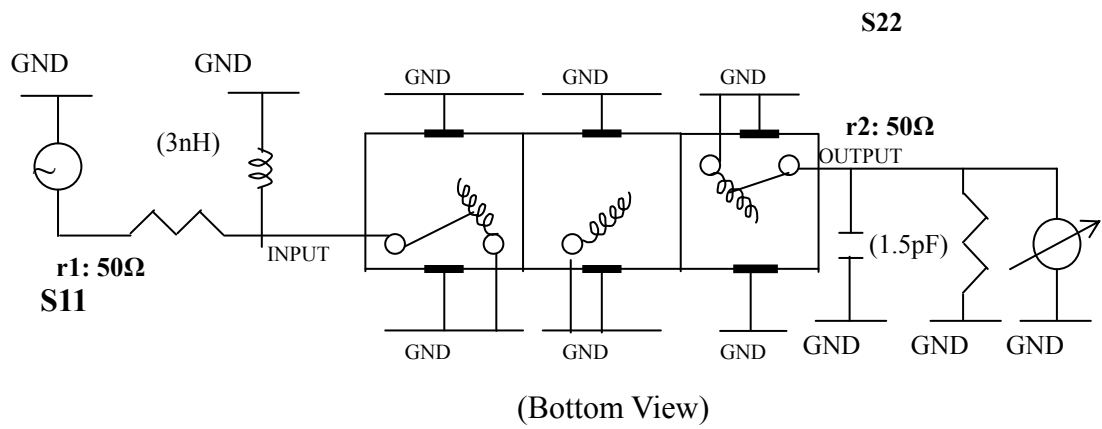


(3) Electric Characteristic			
Item		Specify	Performance
Center Freq.(Fo ) +/- 0.5 %		430 MHz	430 MHz
Tunable Range:		430±5 MHz	430±5 MHz
Insertion Loss		Typ. 3.0 dB	2.2 dB
-3 dB Bandwidth		Typ. 13 MHz	16 MHz
Sensitivity (Attenuation)	Fo - 20 MHz	Typ. 20 dBc	23 dBc
	Fo + 20 MHz	Typ. 15 dBc	18 dBc
	Fo - ( )MHz	Typ. dBc	dBc
	Fo +( )MHz	Typ. dBc	dBc
Return Loss		Min. 12 dB	17.6 dB
Ripple		< 1 dB	dB
Impedance		In / Out : 50 Ω	In / Out : 50 Ω
(4) Torque for Tuning Screw		> 100gf • cm	

(5) Temperature Condition:	
Operating Temperature	0°C ~ +60°C
Storage Temperature	-20°C ~ +70°C

(6) Input Power	> 1Watt
-----------------	---------

(7) Measuring Circuit: ※Easy to match Impedance S11/S22 50Ωby parallel with about(3nH) / (1.5pF).



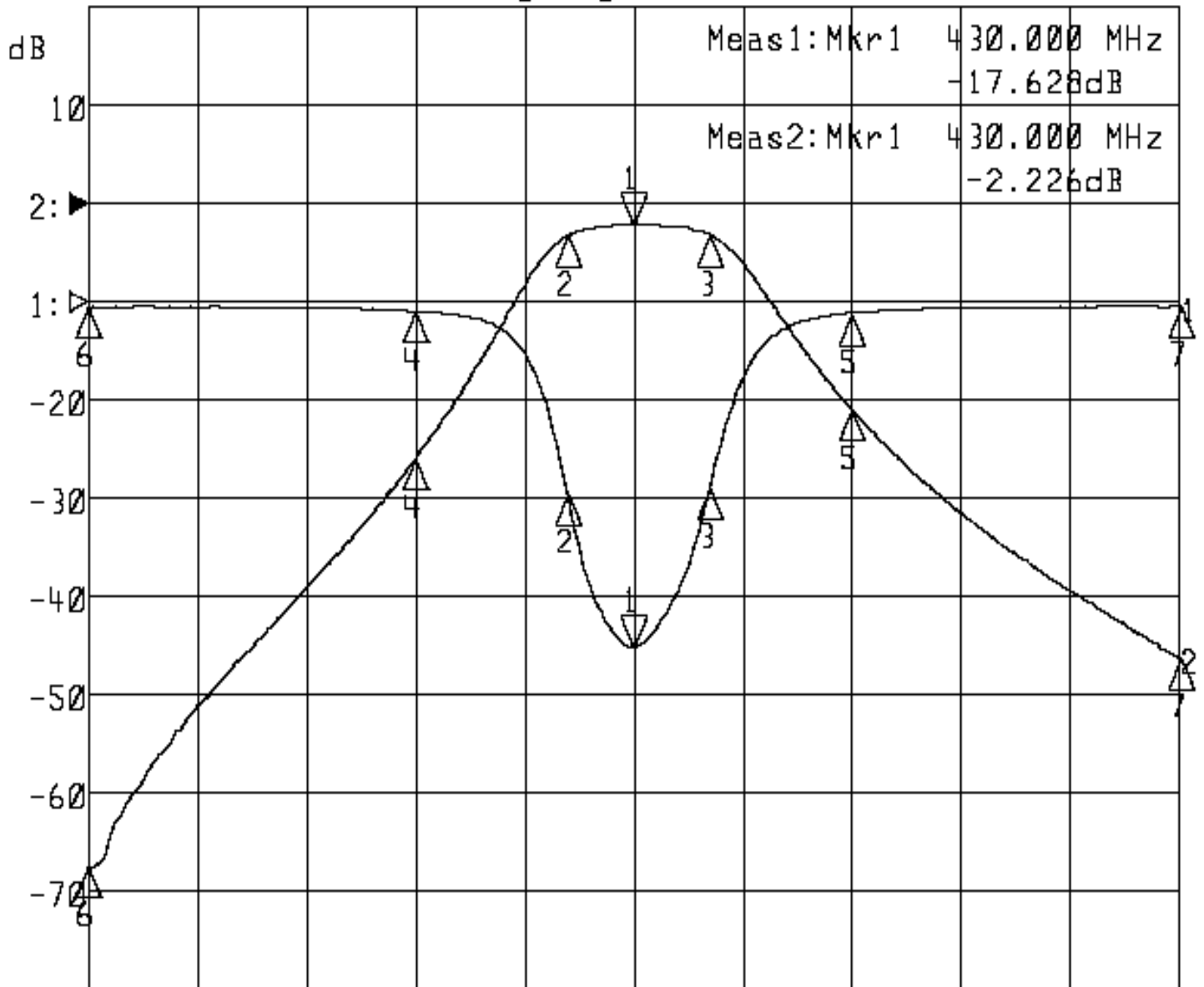
Approval	Supervisor	Designer	Aperture size
C.Y.Chang	C.S.Chang	C.S.Chang	7H3(4*5.5)F 7H046LB4 聚 3

TEMWELL CORPORATION

# Performance- TT67466B-430M

## 20105039A

▶1: S11 Refl Port1    Log Mag    5.0 dB/ Ref    0.00 dB    C  
 ▶2: S21 Fwd Trans    Log Mag    10.0 dB/ Ref    0.00 dB    C



Meas1: Mkr1    430.000 MHz  
 -17.628 dB  
 Meas2: Mkr1    430.000 MHz  
 -2.226 dB

Center 430.000 MHz

Span 100.000 MHz

1: Mkr (MHz)	dB	2: Mkr (MHz)	dB
1> 430.0000	-17.628	1> 430.0000	-2.226
2: 423.9333	-9.743	2: 423.9333	-3.298
3: 436.9667	-9.442	3: 436.9667	-3.143
4: 410.0000	-0.490	4: 410.0000	-25.974
5: 450.0000	-0.564	5: 450.0000	-20.982
6: 380.1000	-0.289	6: 380.1000	-67.413
7: 480.0000	-0.268	7: 480.0000	-46.255