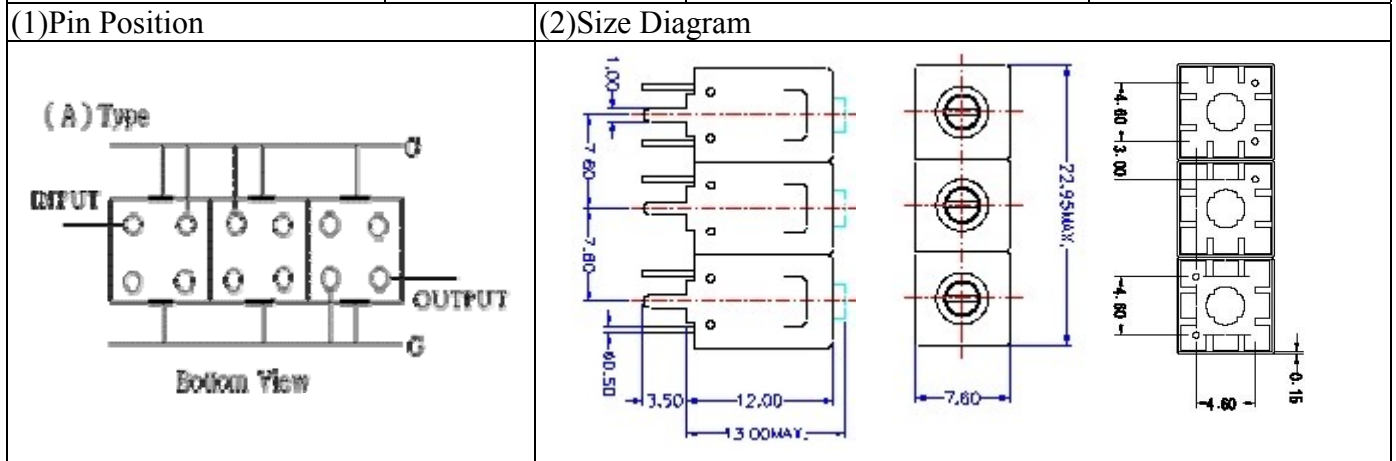


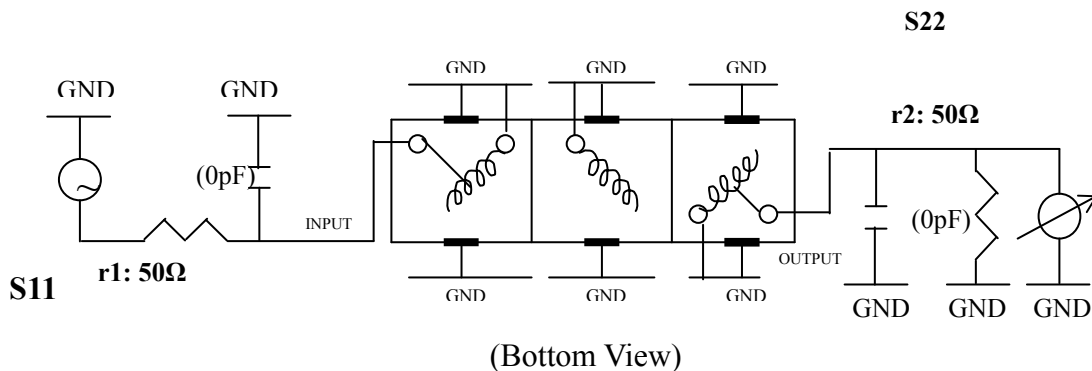
# VHF UHF Helical Filter Specification Sheet

Customer Name		Temwell's Part No.	TT67469A-1015M
Approval No. /dated	0902032CD	Customer's Print Name.	67469A 1015M
Work Instruction No.	200902032CD	Date	Feb.12.2009



(3) Electric Characteristic			
Item		Specify	Performance
Center Freq.(Fo) +/- 0.5 %		1015 MHz	1015 MHz
Tunable Range:		1015±5 MHz	1015±5 MHz
Insertion Loss		Typ. 2.5 dB	1.61 dB
-3 dB Bandwidth		Typ. 40 MHz	47.6 MHz
Sensitivity (Attenuation)	Fo - 100 MHz	Typ. 47 dBc	50 dBc
	Fo + 100 MHz	Typ. 29 dBc	32 dBc
	Fo - ( )MHz	Typ. dBc	dBc
	Fo + ( )MHz	Typ. dBc	dBc
Return Loss		Min. 12 dB	27.4 dB
Ripple		< 1 dB	dB
Impedance		In / Out : 50 Ω	In / Out : 50 Ω
(4) Torque for Tuning Screw		> 100gf · cm	
(5) Temperature Condition:			
Operating Temperature		-0°C ~ +60°C	
Storage Temperature		-20°C ~ +70°C	
(6) Input Power		> 1Watt	

(7) Measuring Circuit: ※Easy to match Impedance S11/S22 50Ω by parallel with about(0pF) / (0pF).



Approval	Supervisor	Designer	Aperture size
C.Y.Chang	C.S.Chang	C.S.Chang	7H3(4*7.5F)(7.56) 7H046LB4.3 聚 3

TEMWELL CORPORATION

TEMWELL

Form10-7H3A Vision D

RP (C.S.C)

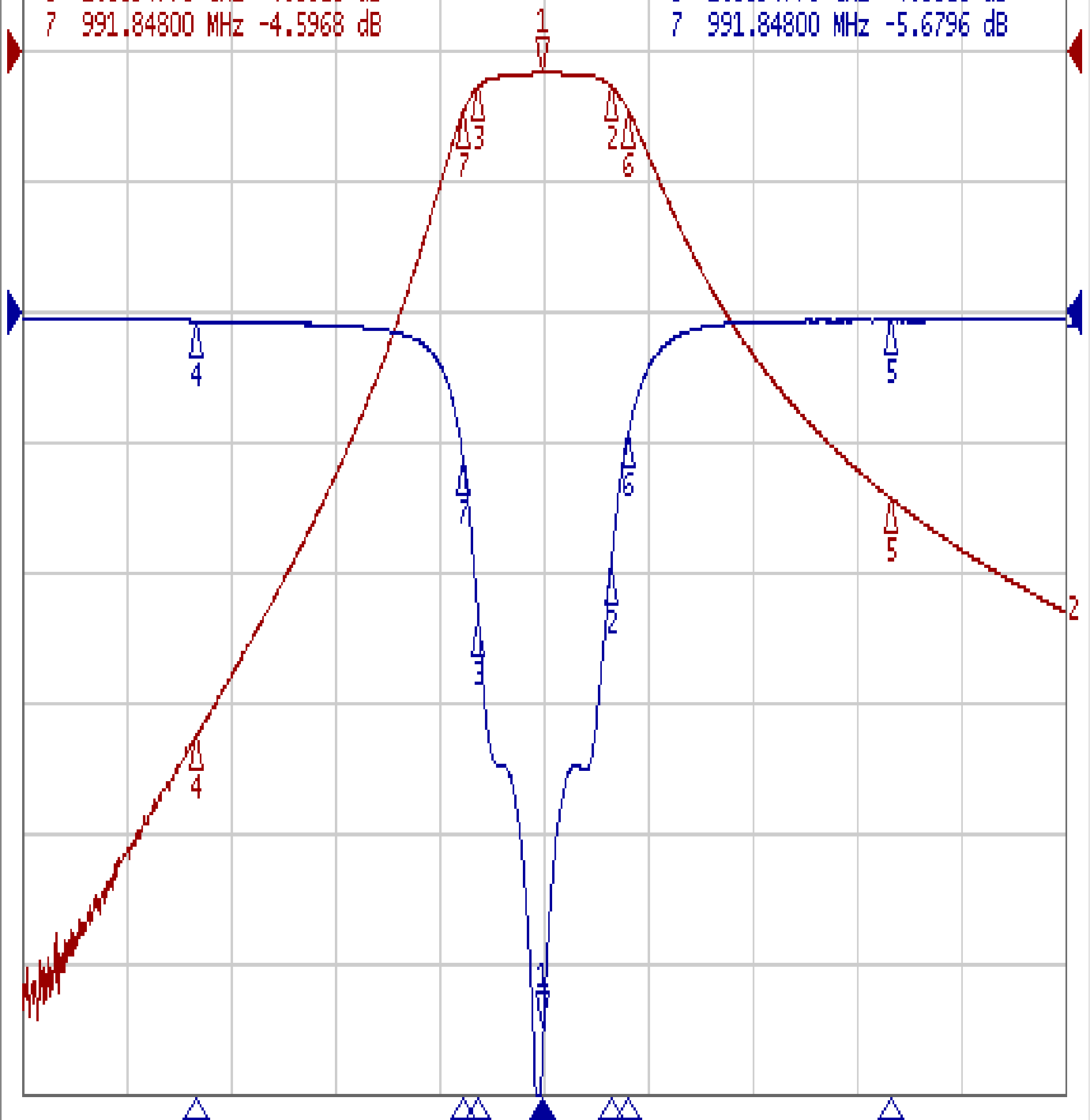
# Performance-TT67469A-1015M

## 200902032CD

Tr1 S11 Log Mag 5.000dB/ Ref 0.000dB [F3]  
Tr2 S21 Log Mag 10.00dB/ Ref 0.000dB [F3]

1	1.0150000 GHz	-1.6116 dB
2	1.0342745 GHz	-2.5714 dB
3	996.25075 MHz	-2.6045 dB
4	915.00000 MHz	-52.555 dB
5	1.1150000 GHz	-34.327 dB
6	1.0394778 GHz	-4.5828 dB
7	991.84800 MHz	-4.5968 dB

>1	1.0150000 GHz	-27.450 dB
2	1.0342745 GHz	-9.8367 dB
3	996.25075 MHz	-11.909 dB
4	915.00000 MHz	-0.3216 dB
5	1.1150000 GHz	-0.3163 dB
6	1.0394778 GHz	-4.6023 dB
7	991.84800 MHz	-5.6796 dB



1 Center 1.015 GHz

IFBW 10 kHz

Span 300 MHz

