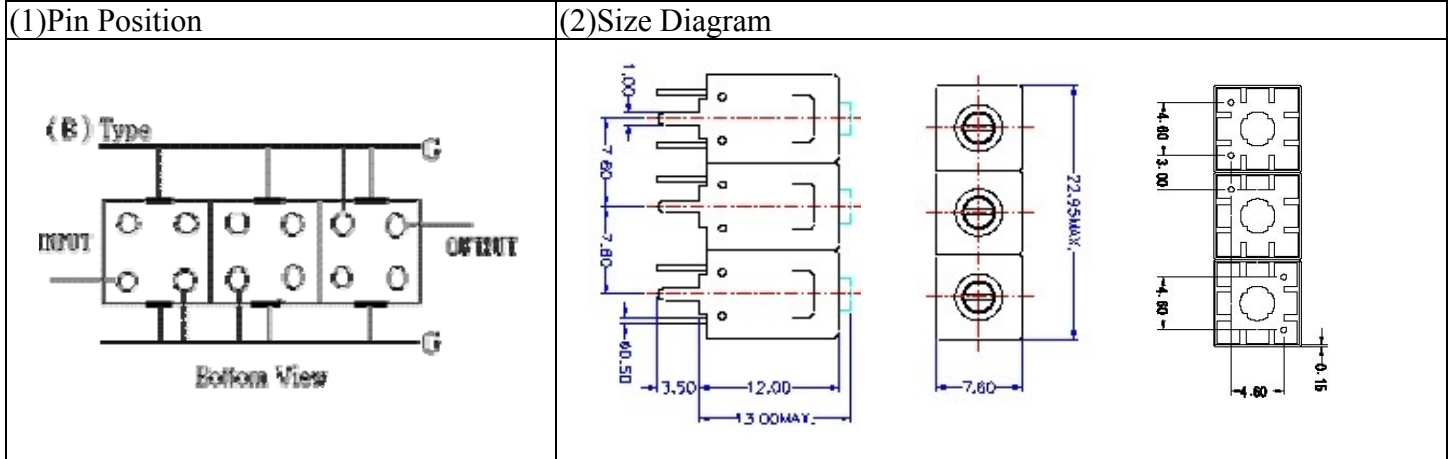


VHF UHF Helical Filter Specification Sheet

Customer Name		Temwell's Part No.	TT67477B-430M
Approval No. /dated	20106033B	Acceptable Specify Fo Range	401~455MHz
Work Instruction No.	20106033B	Date	June.9,2001



(3) Electric Characteristic

Item	Specify	Performance	
Center Freq.(Fo) +/- 0.5 %	430 MHz	430 MHz	
Tunable Range:	430±5 MHz	430±5 MHz	
Insertion Loss	Typ. 3.0 dB	2.1 dB	
-3 dB Bandwidth	Typ. 11 MHz	14 MHz	
Sensitivity (Attenuation)	Fo - 20 MHz	Typ. 25 dBc	27 dBc
	Fo + 20 MHz	Typ. 23 dBc	25 dBc
	Fo - ()MHz	Typ. dBc	dBc
	Fo +()MHz	Typ. dBc	dBc
Return Loss	Min. 12 dB	37.2 dB	
Ripple	< 1 dB	dB	
Impedance	In / Out : 50 Ω	In / Out : 50 Ω	

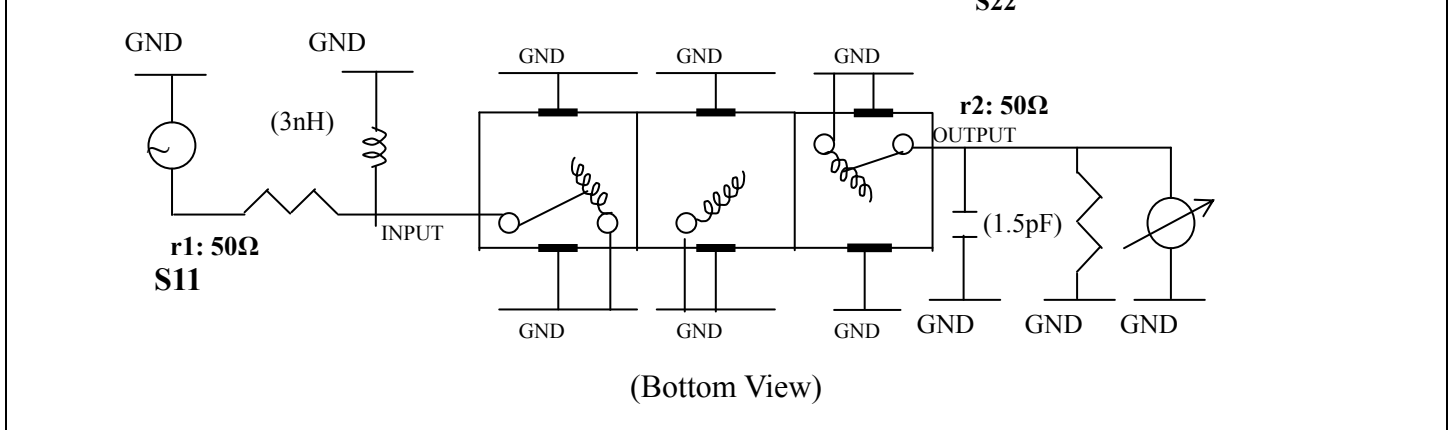
(4) Torque for Tuning Screw > 100gf · cm

(5) Temperature Condition:

Operating Temperature	0°C ~ +60°C
Storage Temperature	-20°C ~ +70°C

(6) Input Power > 1Watt

(7) Measuring Circuit: ※Easy to match Impedance S11/S22 50Ωby parallel with about(3nH) / (1.5pF).



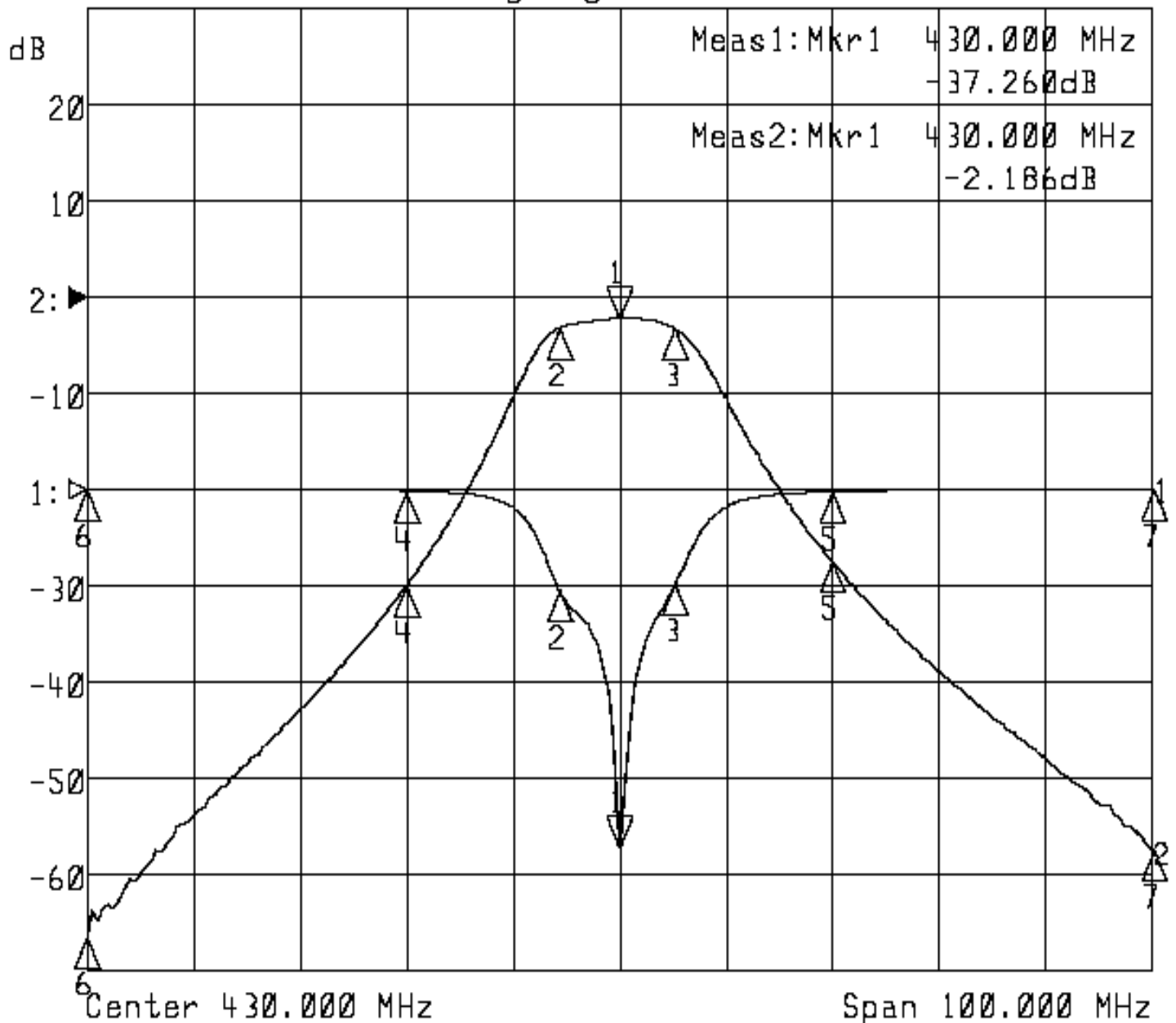
Approval	Supervisor	Designer	Aperture size
C.Y.Chang	C.S.Chang	C.S.Chang	7H3(4*5.5)F 7H046LB4

TEMWELL CORPORATION

Performance-TT67477B-430M

20106033B

►1:S11 Refl Port1 Log Mag 10.0 dB/ Ref 0.00 dB C
►2:S21 Fwd Trans Log Mag 10.0 dB/ Ref 0.00 dB C



1:Mkr (MHz)	dB	2:Mkr (MHz)	dB
1> 430.0000	-37.260	1> 430.0000	-2.186
2: 424.3667	-10.526	2: 424.3667	-3.164
3: 435.2333	-9.771	3: 435.2333	-3.254
4: 410.0000	-0.165	4: 410.0000	-29.993
5: 450.0000	-0.241	5: 450.0000	-27.557
6: 380.0000	0.025	6: 380.0000	-66.515
7: 480.0000	0.020	7: 480.0000	-57.530