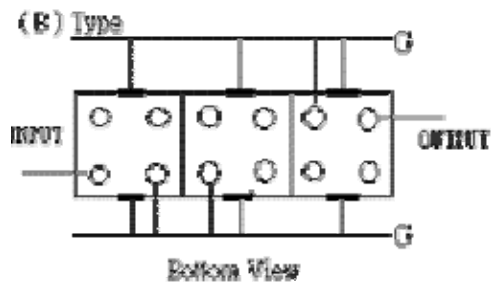
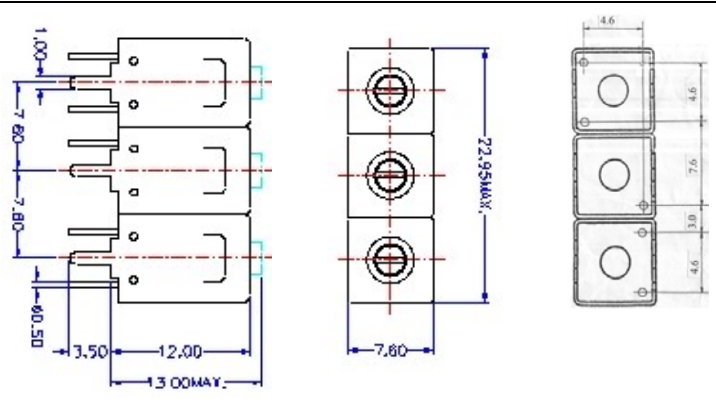


# VHF UHF Helical Filter Specification Sheet

Customer Name		Temwell's Part No.	TT67491B-480M
Approval No. /dated	20112090DC	Acceptable Specify Fo Range	456~515MHz
Work Instruction No.	20112090DC	Date	

(1)Pin Position	(2)Size Diagram
 <p>(B) Type</p> <p>Bottom View</p>	

### (3)Electric Charasteric

Item	Specify	Performance	
Center Freq.(Fo ) +/- 0.5 %	480 MHz	480 MHz	
Tunable Range:	480±5 MHz	480±5 MHz	
Insertion Loss	Typ. 2.5 dB	1.2 dB	
-3 dB Bandwidth	Typ. 18 MHz	22 MHz	
Sensitivity (Attenuation )	Fo - 50 MHz	Typ. 42 dBc	44 dBc
	Fo + 50 MHz	Typ. 36 dBc	38 dBc
	Fo - ( )MHz	Typ. dBc	dBc
	Fo +( )MHz	Typ. dBc	dBc
Return Loss	Min. 12 dB	35 dB	
Ripple	< 1 dB	dB	
Impedance	In / Out : 50 Ω	In / Out : 50 Ω	
(4)Torque for Tuning Screw	> 100gf • cm		

### (5)Temperature Condition:

Operating Temperature	0°C ~ +60°C
Storage Temperature	-20°C ~ +70°C

### (6)Input Power

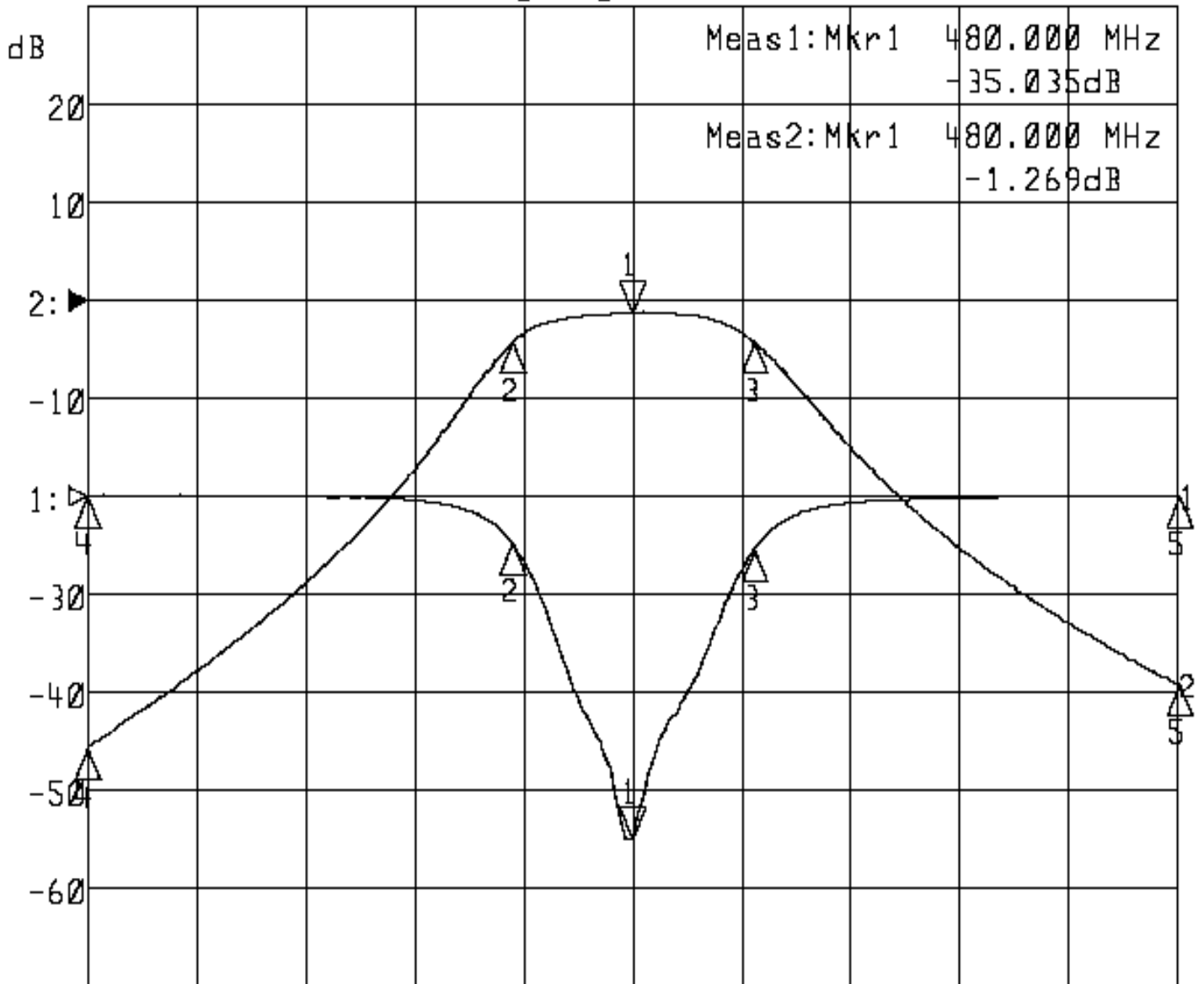
		> 1Watt	
Approval	Supervisor	Designer	Aperture size
C.Y.Chang	C.S.Chang	C.S.Chang	7H3S(4*5.5)F 7H046LB4 聚 3

TEMWELL CORPORATION

# Performance-TT67491B-480M

## 20112090DC

▷1:S11 Refl Port1 Log Mag 10.0 dB/ Ref 0.00 dB C  
▶2:S21 Fwd Trans Log Mag 10.0 dB/ Ref 0.00 dB C



Center 480.000 MHz

Span 100.000 MHz

1:Mkr (MHz)	dB	2:Mkr (MHz)	dB
1> 480.0000	-35.035	1> 480.0000	-1.269
2: 469.0333	-4.833	2: 469.0333	-4.252
3: 491.1667	-5.386	3: 491.1667	-4.235
4: 430.0000	-0.080	4: 430.0000	-45.664
5: 530.0000	0.008	5: 530.0000	-39.231