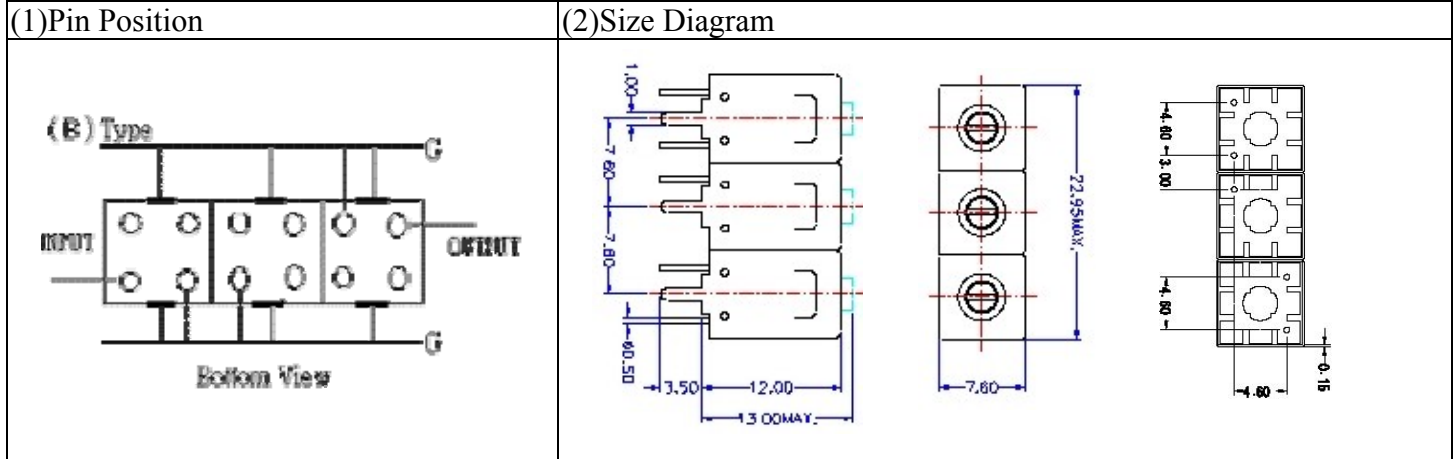


VHF UHF Helical Filter Specification Sheet

Customer Name		Temwell's Part No.	TT67495B-500M
Approval No. /dated	20112100DC	Acceptable Specify Fo Range	456~515MHz
Work Instruction No.	20112100DC	Date	Dec.12,2001



(3) Electric Characteristic

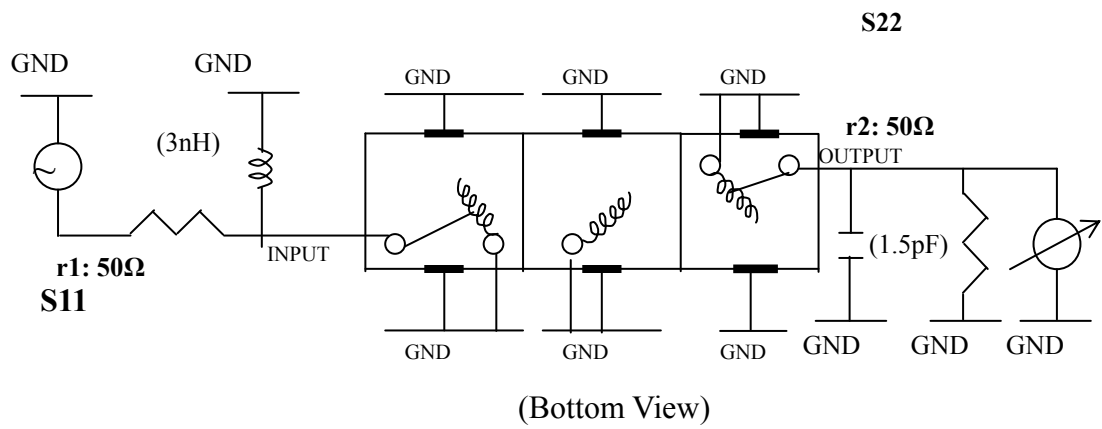
Item	Specify	Performance
Center Freq.(Fo) +/- 0.5 %	500 MHz	500 MHz
Tunable Range:	500±5 MHz	500±5 MHz
Insertion Loss	Typ. 2.0 dB	0.9 dB
-3 dB Bandwidth	Typ. 65 MHz	69 MHz
Sensitivity (Attenuation)	Fo - 100 MHz	Typ. 35 dBc
	Fo + 100 MHz	Typ. 26 dBc
	Fo - ()MHz	Typ. dBc
	Fo +()MHz	Typ. dBc
Return Loss	Min. 12 dB	42 dB
Ripple	< 1 dB	
Impedance	In / Out : 50 Ω	In / Out : 50 Ω
(4) Torque for Tuning Screw	> 100gf • cm	

(5) Temperature Condition:

Operating Temperature	0°C ~ +60°C
Storage Temperature	-20°C ~ +70°C

(6) Input Power > 1Watt

(7) Measuring Circuit: ※Easy to match Impedance S11/S22 50Ωby parallel with about(3nH) / (1.5pF).



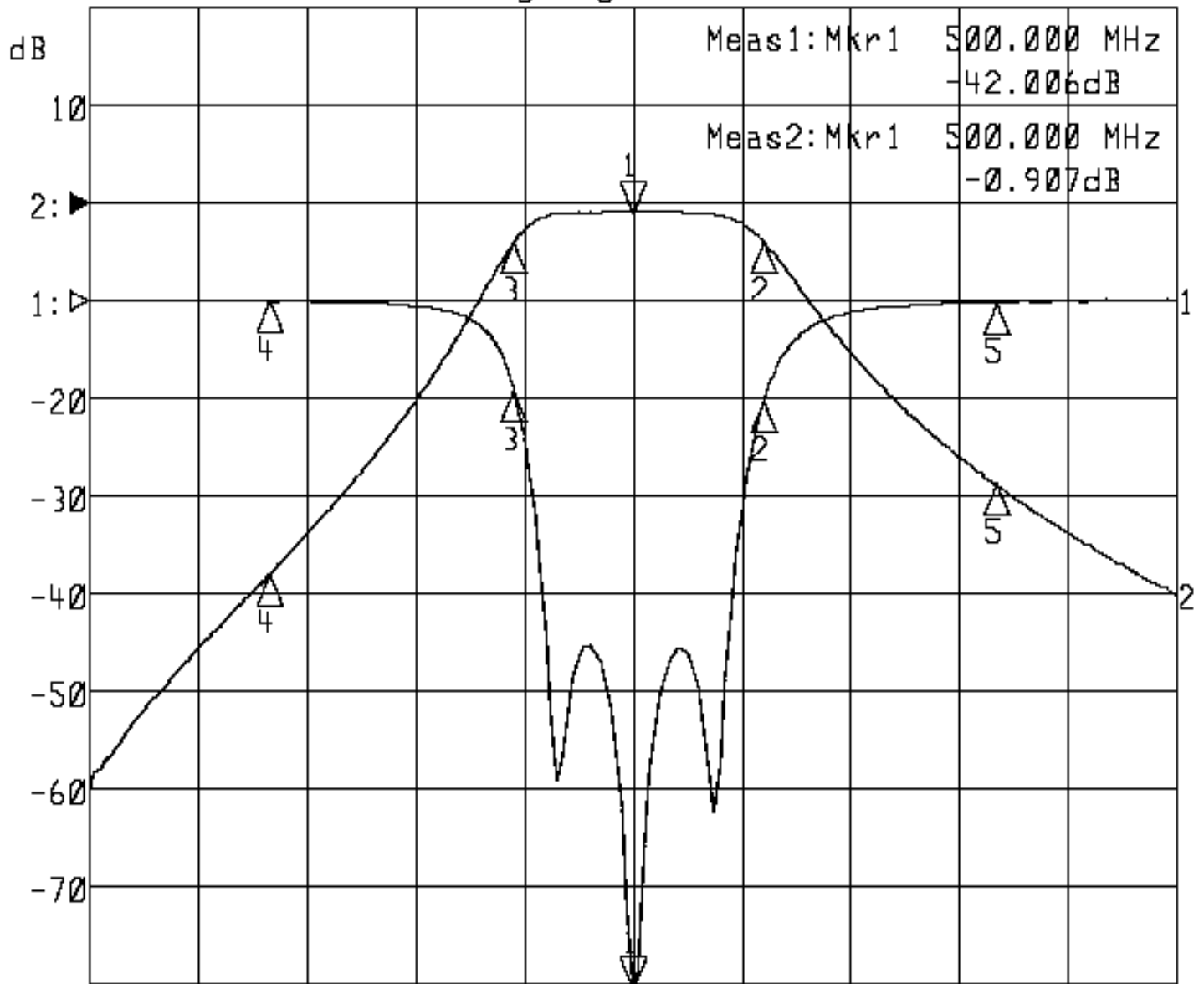
Approval	Supervisor	Designer	Aperture size
C.Y.Chang	C.S.Chang	C.S.Chang	7H3S(4*5.5)F 7H046LB6

TEMWELL CORPORATION

Performance-TT67495B-500M

20112100DC

▶1:S11 Refl Port1 Log Mag 5.0 dB/ Ref 0.00 dB C
▶2:S21 Fwd Trans Log Mag 10.0 dB/ Ref 0.00 dB C



Center 500.000 MHz

Span 300.000 MHz

1: Mkr (MHz)	dB	2: Mkr (MHz)	dB
1> 500.0000	-42.006	1> 500.0000	-0.907
2: 536.1000	-5.065	2: 536.1000	-3.965
3: 467.3000	-4.586	3: 467.3000	-3.953
4: 400.0000	-0.049	4: 400.0000	-37.936
5: 600.0000	-0.096	5: 600.0000	-28.843