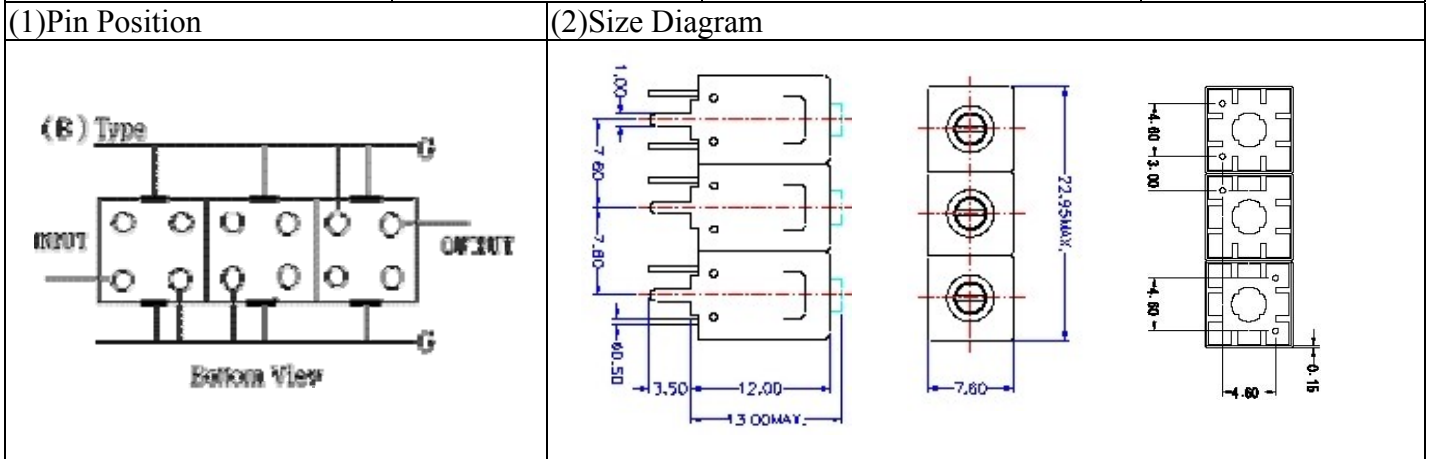
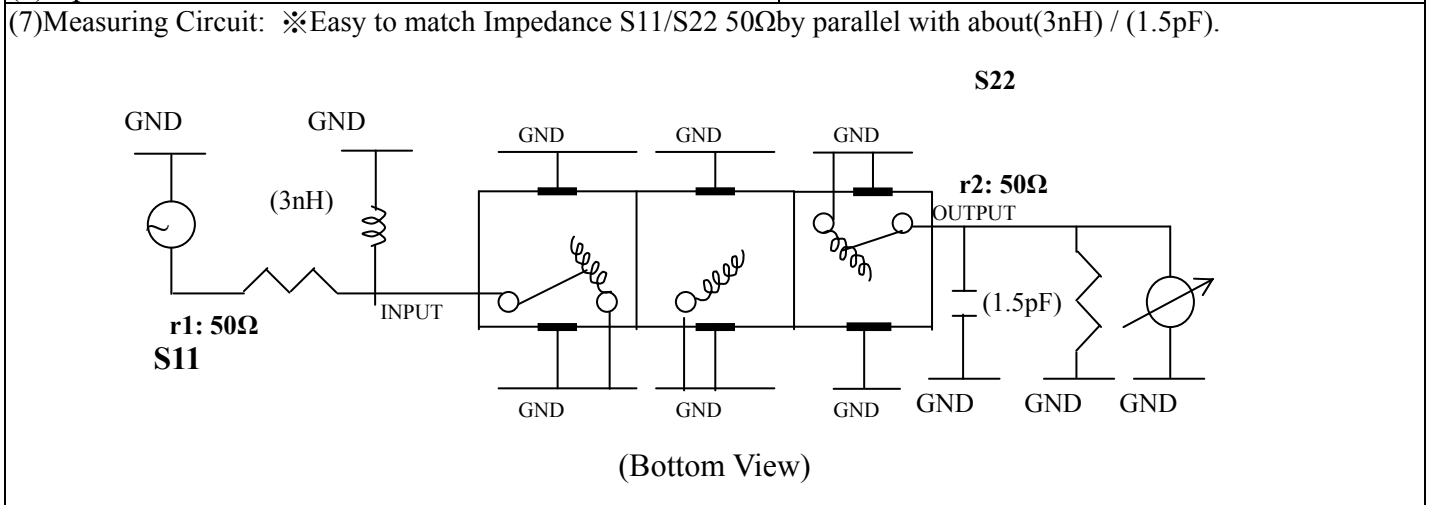


# VHF UHF Helical Filter Specification Sheet

Customer Name		Temwell's Part No.	TT67497B-550M
Approval No. /dated	20112102DC	Acceptable Specify Fo Range	456~515MHz
Work Instruction No.	20112102DC	Date	Jan.03.2002



(3) Electric Characteristic			
Item		Specify	Performance
Center Freq.(Fo) +/- 0.5 %		550 MHz	550 MHz
Tunable Range:		550±5 MHz	550±5 MHz
Insertion Loss		Typ. 2.0 dB	0.8 dB
-3 dB Bandwidth		Typ. 70 MHz	76 MHz
Sensitivity (Attenuation)	Fo - 100 MHz	Typ. 31 dBc	34 dBc
	Fo + 100 MHz	Typ. 23 dBc	26 dBc
	Fo - ( )MHz	Typ. dBc	dBc
	Fo +( )MHz	Typ. dBc	dBc
Return Loss		Min. 12 dB	16.5 dB
Ripple		< 1 dB	dB
Impedance		In / Out : 50 Ω	In / Out : 50 Ω
(4) Torque for Tuning Screw		> 100gf · cm	
(5) Temperature Condition:			
Operating Temperature		0°C ~ +60°C	
Storage Temperature		-20°C ~ +70°C	
(6) Input Power		> 1Watt	



Approval	Supervisor	Designer	Aperture size
C.Y.Chang	C.S.Chang	C.S.Chang	7H3S 4*7.5 7H046LB6

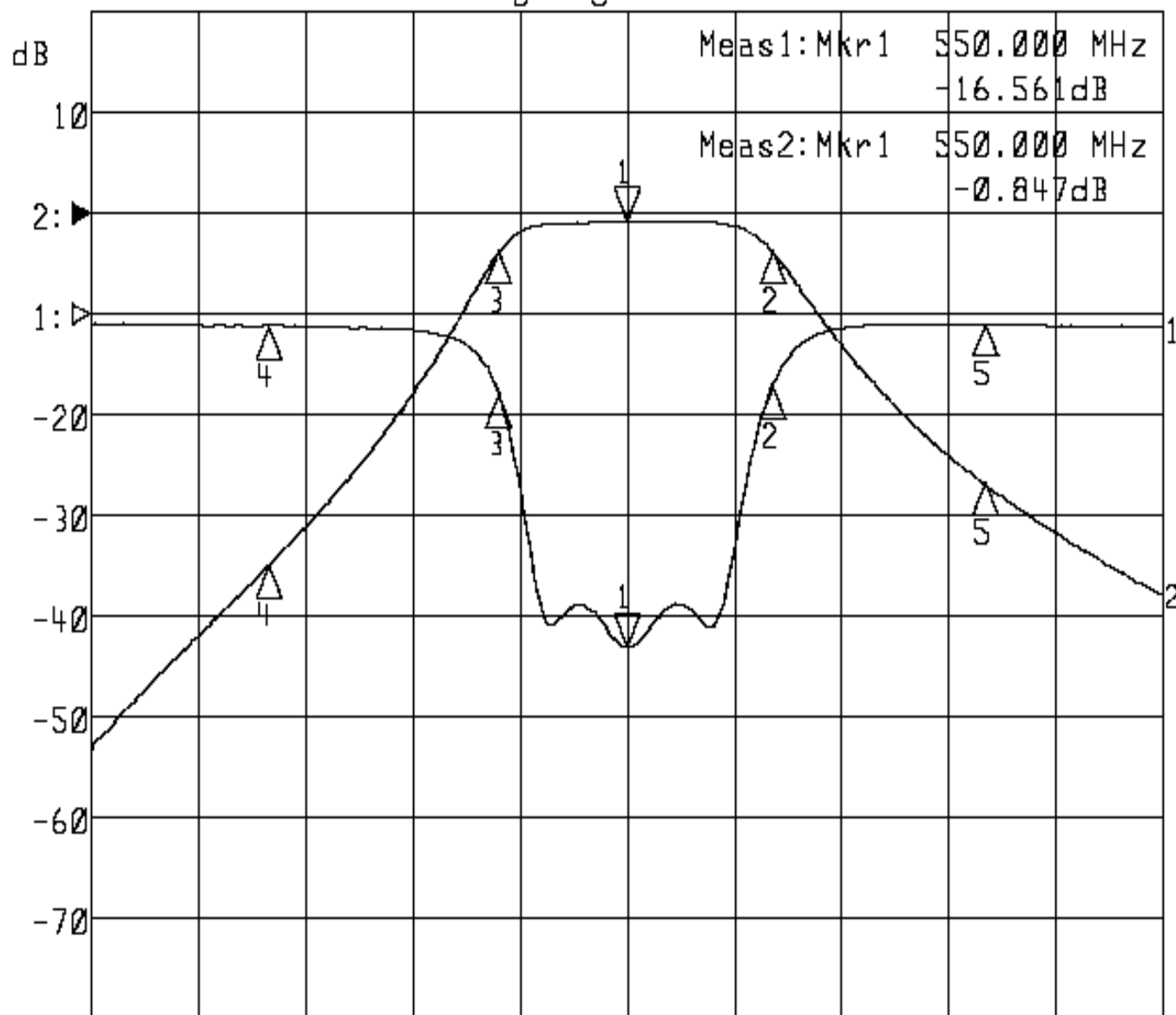
TEMWELL CORPORATION

# Performance-TT67497B-550M

## 20112102DC

▶1:S11 Refl Port1 Log Mag 5.0 dB/ Ref 0.00 dB C

▶2:S21 Fwd Trans Log Mag 10.0 dB/ Ref 0.00 dB C



Center 550.000 MHz

Span 300.000 MHz

1:Mkr (MHz)	dB	2:Mkr (MHz)	dB
1> 550.0000	-16.561	1> 550.0000	-0.847
2: 590.6000	-3.606	2: 590.6000	-3.828
3: 514.3000	-4.026	3: 514.3000	-3.845
4: 450.0000	-0.590	4: 450.0000	-34.899
5: 650.0000	-0.552	5: 650.0000	-26.867