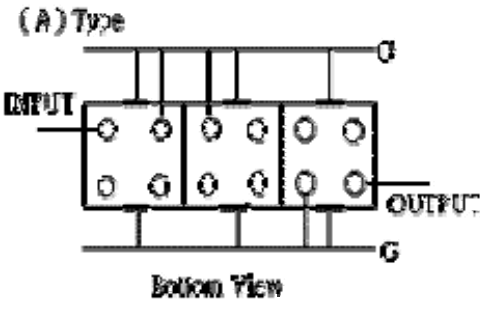
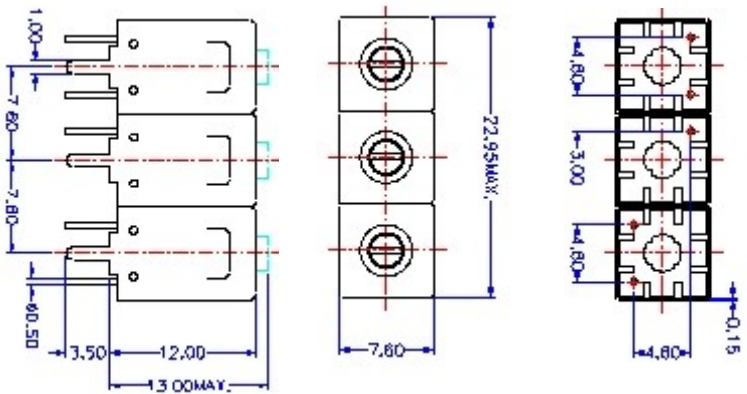


VHF UHF Helical Filter Specification Sheet

Customer Name		Temwell's Part No.	TT67503A-700M
Approval No. /dated	20112108DC	Acceptable Specify Fo. Range	661~700MHz
Work Instruction No.	20112108DC	Date	Jan.08.2002

(1)Pin Position	(2)Size Diagram
 <p>(A) Type Bottom View</p>	

(3)Electric Character

Item	Specify	Performance
Center Freq.(Fo) +/- 0.5 %	700 MHz	700 MHz
Tunable Range	700±3 MHz	700±3 MHz
Insertion Loss	Typ. 3.0 dB	1.7 dB
-3 dB Bandwidth	Typ. 69 MHz	76 MHz
Sensitivity (Attenuation)	Fo - 100 MHz	Typ. 35 dBc
	Fo + 100 MHz	Typ. 19 dBc
	Fo - ()MHz	Typ. dBc
	Fo +()MHz	Typ. dBc
Return Loss	Min. 12 dB	38 dB
Ripple	< 1 dB	dB
Impedance	In / Out : 50 Ω	In / Out : 50 Ω
(4)Torque for Tuning Screw	> 100gf • cm	

(5)Temperature Condition:

Operating Temperature	0°C ~ +60°C
Storage Temperature	-20°C ~ +70°C

(6)Input Power

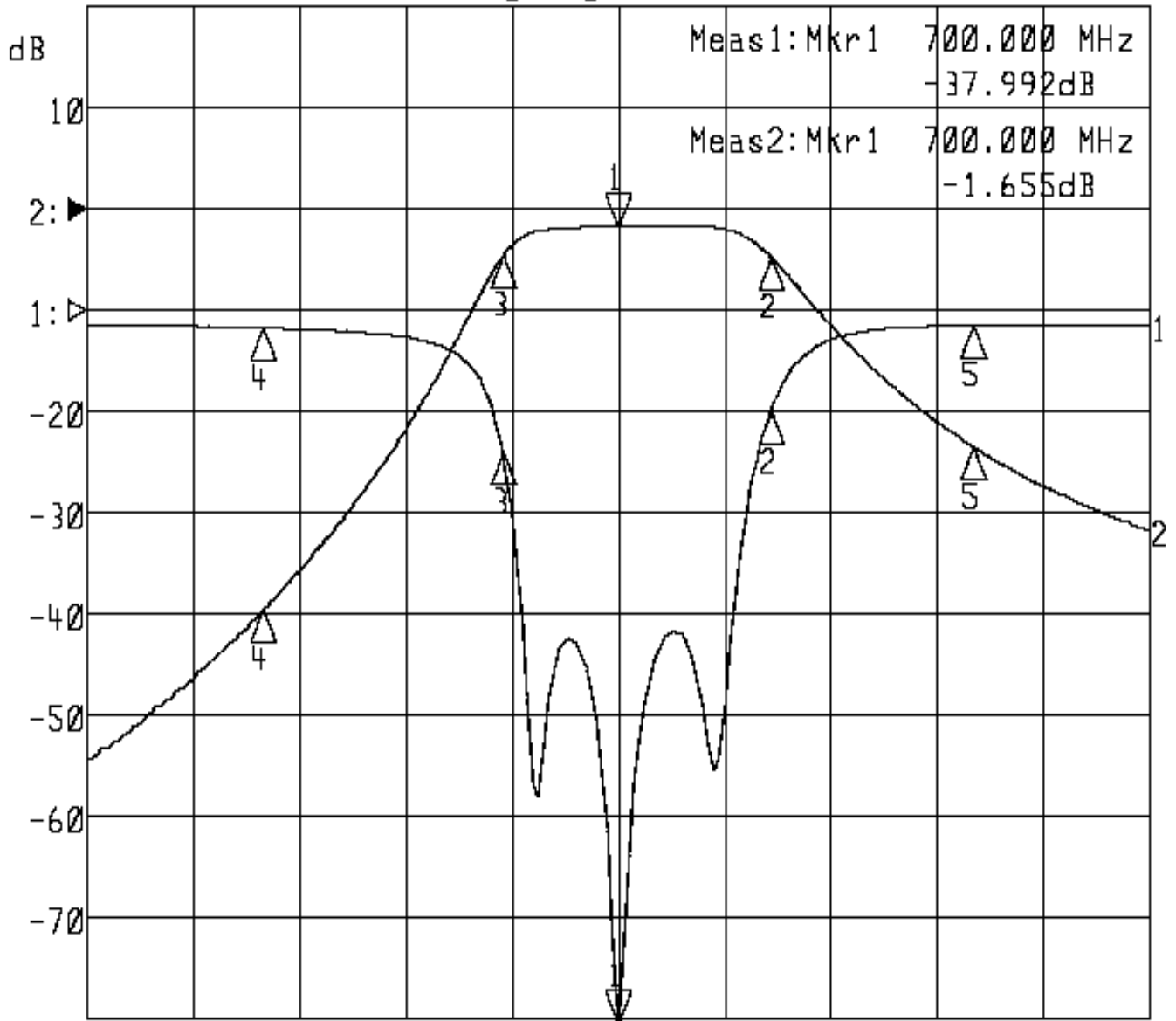
		> 1Watt	
Approval	Supervisor	Designer	Aperture size
C.Y.Chang	C.S.Chang	Enlan	7H3(4*7.5) 7H046LB6

TEMWELL CORPORATION

Performance-TT67503A-700M

20112108DC

▷1:S11 Refl Port1 Log Mag 5.0 dB/ Ref 0.00 dB C
▶2:S21 Fwd Trans Log Mag 10.0 dB/ Ref 0.00 dB C



Center 700.000 MHz

Span 300.000 MHz

1: Mkr (MHz)	dB	2: Mkr (MHz)	dB
1> 700.0000	-37.992	1> 700.0000	-1.655
2: 742.9000	-5.026	2: 742.9000	-4.643
3: 667.4000	-7.006	3: 667.4000	-4.622
4: 600.0000	-0.891	4: 600.0000	-39.620
5: 800.0000	-0.777	5: 800.0000	-23.421