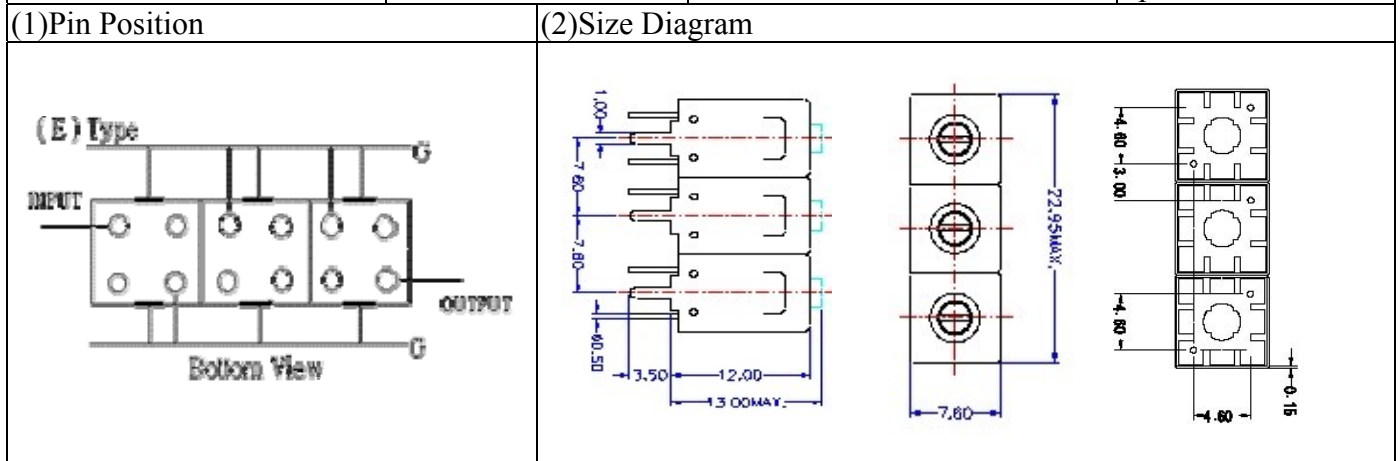


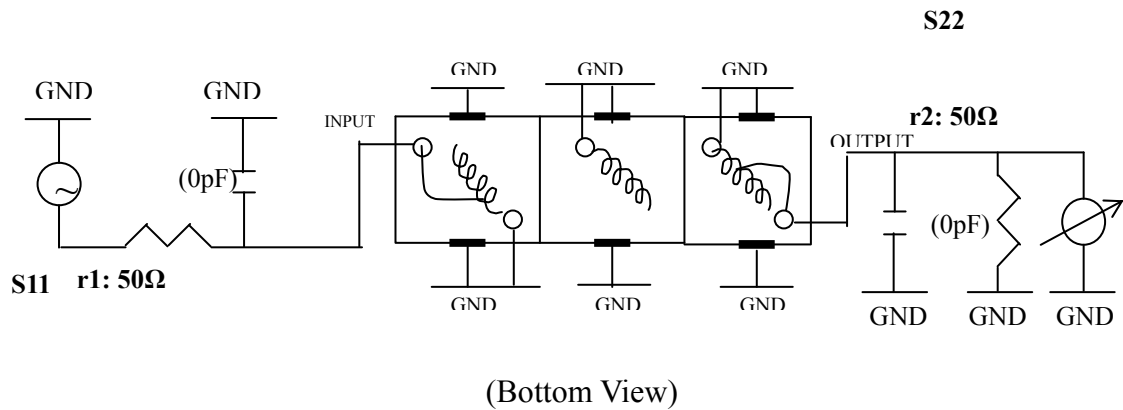
VHF UHF Helical Filter Specification Sheet

Customer Name		Temwell's Part No.	TT67516E-850M
Approval No. /dated	0804017CD	Acceptable Specify Fo Range	831~860MHz
Work Instruction No.	0804017CD	Date	Spr.10.2008



(3) Electric Characteristic			
Item	Specify	Performance	
Center Freq.(Fo) +/- 0.5 %	850 MHz	850 MHz	
Tunable Range:	850±5 MHz	850±5 MHz	
Insertion Loss	Typ. 3.0 dB	1.17 dB	
-3 dB Bandwidth	Typ. 70 MHz	80 MHz	
Sensitivity (Attenuation)	Fo -(150) MHz	Typ. 34 dBc	37 dBc
	Fo +(150) MHz	Typ. 26 dBc	29 dBc
	Fo - ()MHz	Typ. dBc	dBc
	Fo +()MHz	Typ. dBc	dBc
Return Loss	Min. 12 dB	20.4 dB	
Ripple	< 1 dB	dB	
Impedance	In / Out : 50 Ω	In / Out : 50 Ω	
(4) Torque for Tuning Screw	> 100gf • cm		
(5) Temperature Condition:			
Operating Temperature	0°C ~ +60°C		
Storage Temperature	-20°C ~ +70°C		
(6) Input Power	> 1Watt		

(7) Measuring Circuit: ※Easy to match Impedance S11/S22 50Ω by parallel with about(0pF) / (0pF).



Approval	Supervisor	Designer	Aperture size
C.Y.Chang	C.S.Chang	P.H.Chiang	7H3(4*7.5F)(5.5B) 7H046LB5.5

TEMWELL CORPORATION

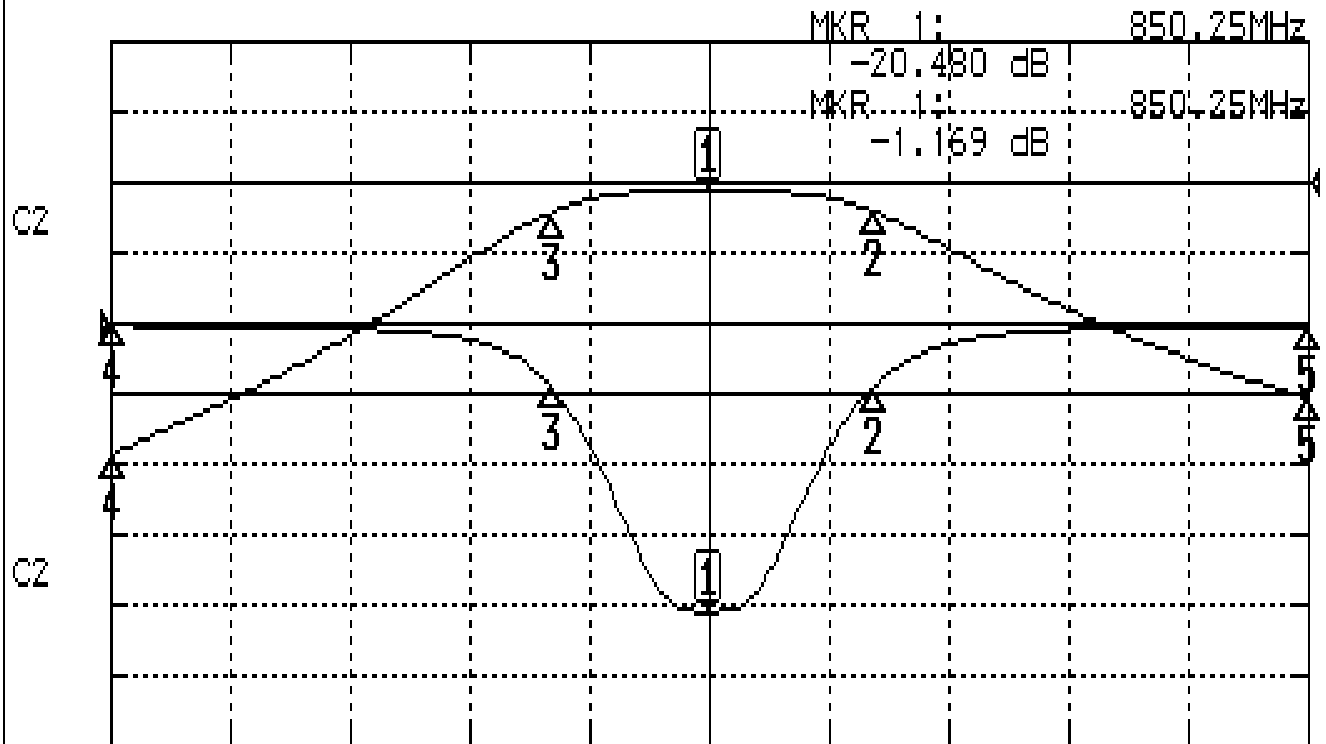
TEMWELL

Form10-7H3E Vision D RP(ph)

Performance-TT67516E-850M

0804017CD

CH1 S11 LOG MAG REF 0.000 dB 5.000 dB/
CH2 S21 LOG MAG REF 0.000 dB 10.000 dB/



CENTER 850MHz

[10.00 dBm]

SPAN 300MHz

CH1 MARKER LIST

1:	850.250MHz	-20.480 dB
2:	891.250MHz	-4.488 dB
3:	810.500MHz	-4.554 dB
4:	700.000MHz	-0.142 dB
5:	1.000 000GHz	-0.166 dB

CH2 MARKER LIST

1:	850.250MHz	-1.171 dB
2:	891.250MHz	-4.103 dB
3:	810.500MHz	-4.194 dB
4:	700.000MHz	-38.595 dB
5:	1.000 000GHz	-30.715 dB