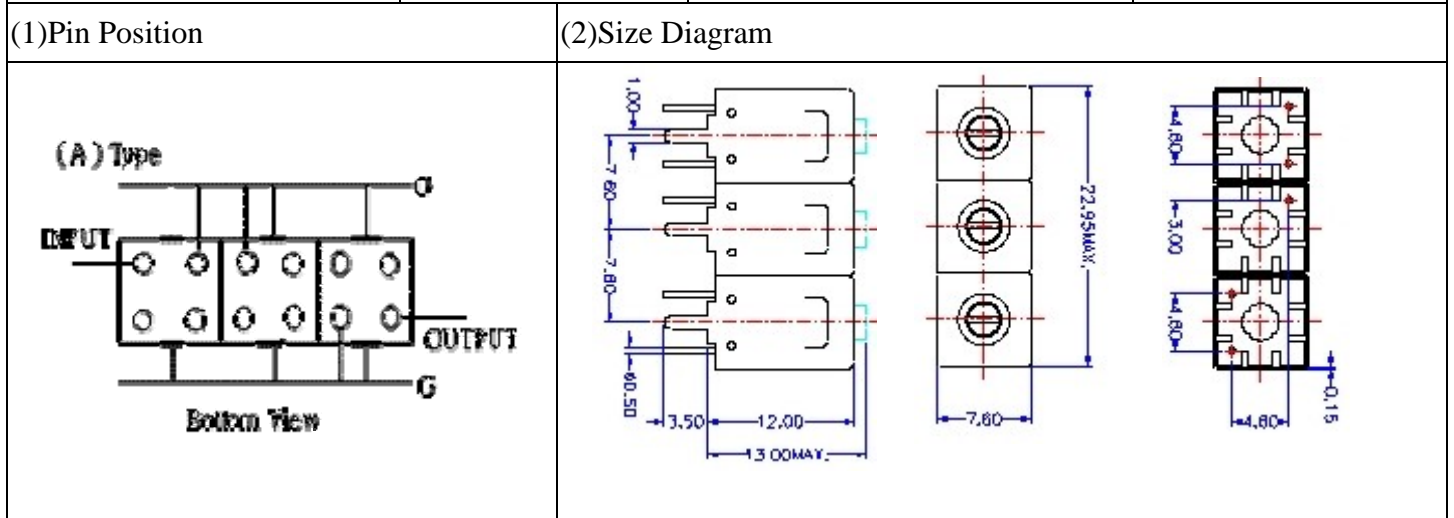


# VHF UHF Helical Filter Specification Sheet

Customer Name		Temwell's Part No.	TT67518A-900M
Approval No. /dated	20201021DC	Acceptable Specify Fo. Range	861~900MHz
Work Instruction No.	20201021DC	Date	Jan.16.2002



(3) Electric Character

Item	Specify	Performance	
Center Freq.(Fo ) +/- 0.5 %	900 MHz	900 MHz	
Tunable Range	900±5 MHz	900±5 MHz	
Insertion Loss	Typ. 3.0 dB	1.7 dB	
-3 dB Bandwidth	Typ. 70 MHz	78 MHz	
Sensitivity (Attenuation)	Fo - 100 MHz	Typ. 29 dBc	31 dBc
	Fo + 100 MHz	Typ. 16 dBc	19 dBc
	Fo - ( )MHz	Typ. dBc	dBc
	Fo +( )MHz	Typ. dBc	dBc
Return Loss	Min. 12 dB	21.7 dB	
Ripple	< 1 dB	dB	
Impedance	In / Out : 50 Ω	In / Out : 50 Ω	

(4) Torque for Tuning Screw > 100gf · cm

(5) Temperature Condition:

Operating Temperature	0°C ~ +60°C
Storage Temperature	-20°C ~ +70°C

(6) Input Power > 1Watt

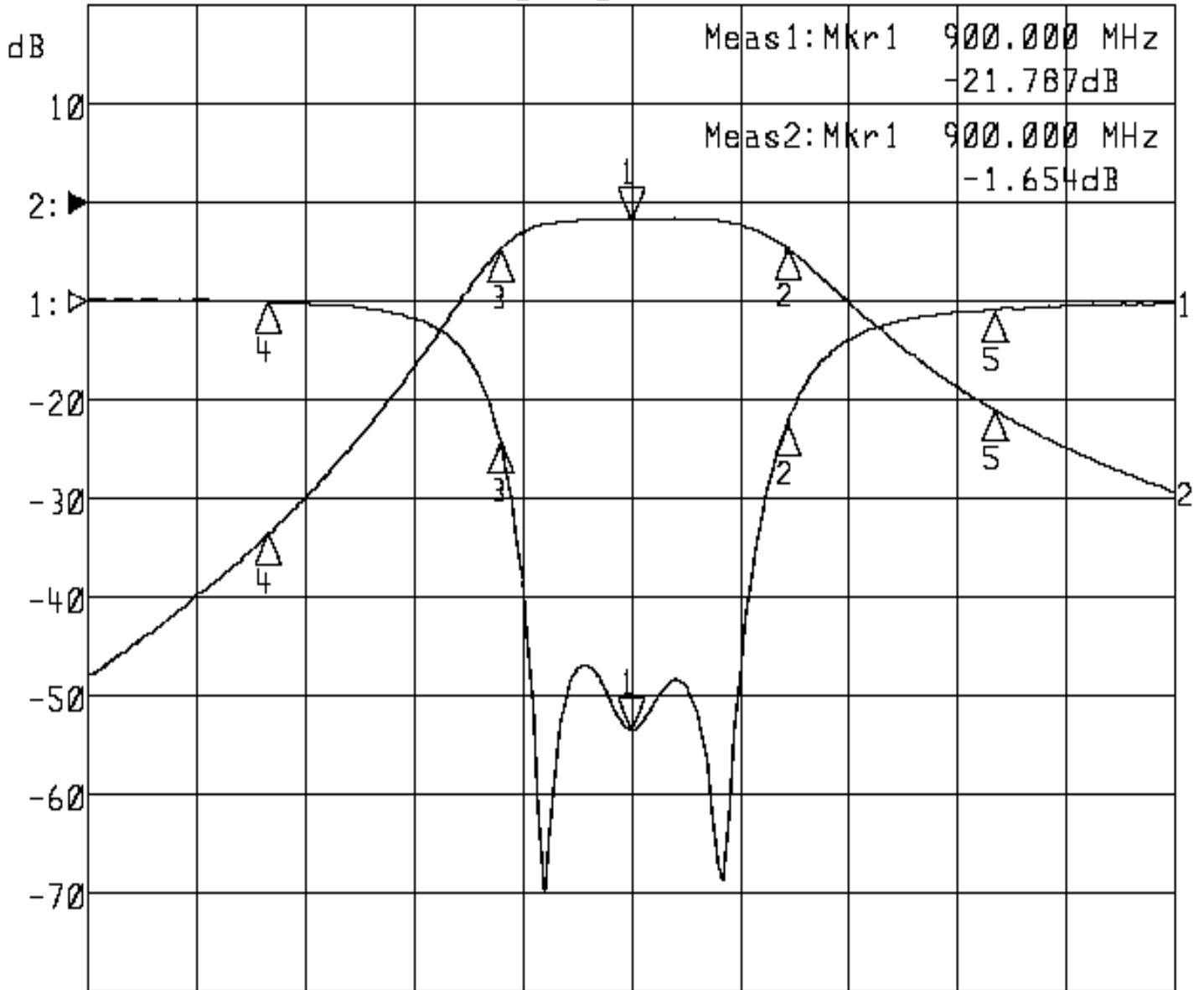
Approval	Supervisor	Designer	Aperture size
C.Y.Chang	C.S.Chang	C.S.Chang	7H3S(4*7.5) 7H046LB6

TEMWELL CORPORATION

# Performance-TT67518A-900M

## 20201021DC

▶1:S11 Refl Port1 Log Mag 5.0 dB/ Ref 0.00 dB C  
▶2:S21 Fwd Trans Log Mag 10.0 dB/ Ref 0.00 dB C



Center 900.000 MHz

Span 300.000 MHz

1:Mkr (MHz)	dB	2:Mkr (MHz)	dB
1> 900.0000	-21.787	1> 900.0000	-1.654
2: 942.9000	-6.217	2: 942.9000	-4.612
3: 864.0000	-7.159	3: 864.0000	-4.670
4: 800.0000	-0.013	4: 800.0000	-33.578
5: 1000.0000	-0.439	5: 1000.0000	-20.986