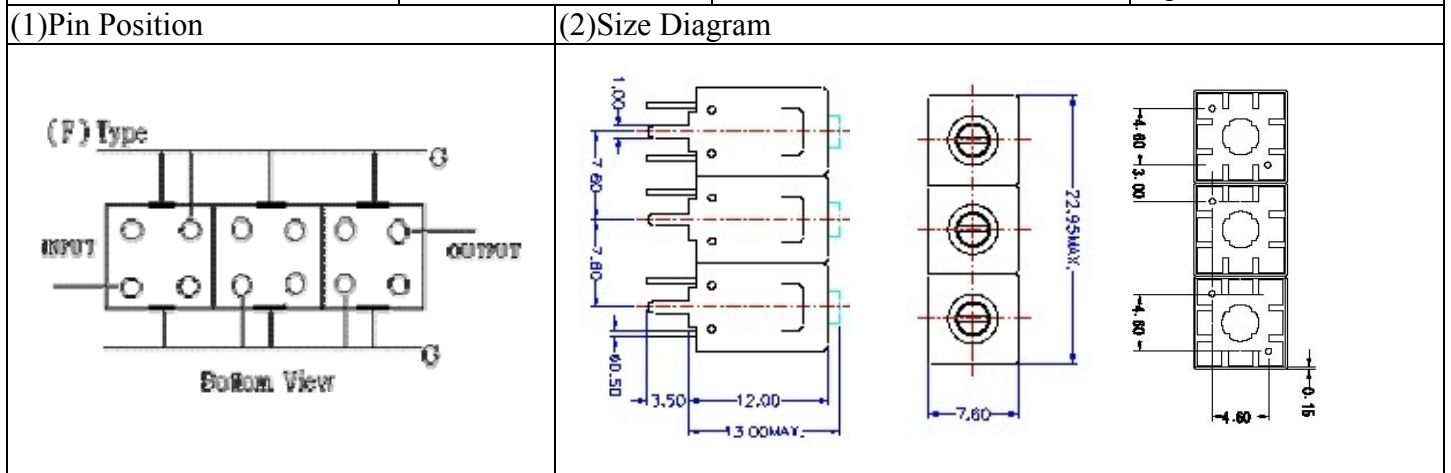


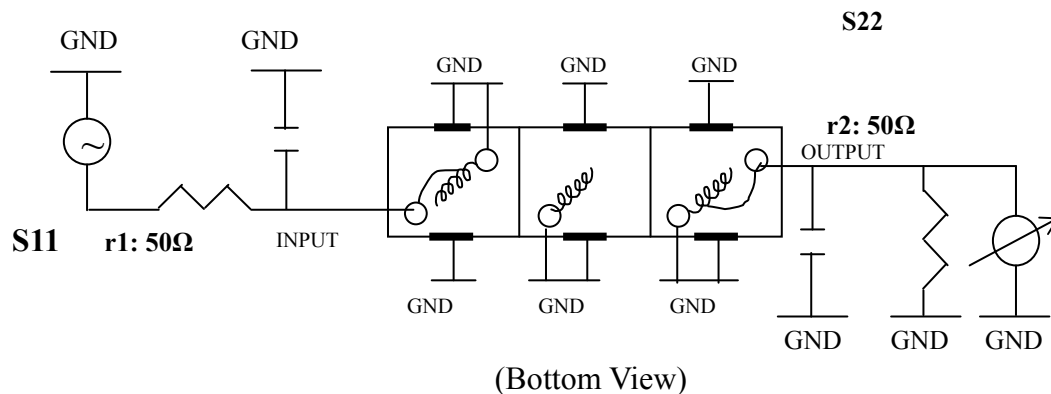
# VHF UHF Helical Filter Specification Sheet

Customer Name		Temwell's Part No.	TT67518F-900M
Approval No. /dated	201007092CD	Temwell's print name	67518F 900M
Work Instruction No.	201007092CD	Date	Sep.28.2010



(3)Electric Characteristic			
Item		Specify	Performance
Center Freq.(Fo ) +/- 0.5 %		900 MHz	900 MHz
Insertion Loss		Typ. 2.0 dB	1.07 dB
-3 dB Bandwidth		Typ. 70 MHz	79.1 MHz
Sensitivity (Attenuation)	Fo - 150 MHz	Typ. 36 dBc	39 dBc
	Fo + 150 MHz	Typ. 34 dBc	37 dBc
	Fo - ( )MHz	Typ. dBc	dBc
	Fo +( )MHz	Typ. dBc	dBc
Return Loss		Min. 12 dB	21.7 dB
Ripple		< 1 dB	dB
Impedance		In / Out : 50 Ω	In / Out : 50 Ω
(4)Torque for Tuning Screw		> 60gf · cm	
(5)Temperature Condition:			
Operating Temperature		0°C ~ +60°C	
Storage Temperature		-20°C ~ +70°C	
(6)Input Power		> 1Watt	

(7)Measuring Circuit: ※Easy to match Impedance S11/S22 50Ω by parallel with about( -- ) / ( -- ).



Approval C.Y.Chang	Supervisor C.K.Chang	Designer C.S..Chang	Aperture size 7H3S(4*7.5)(7.61) 7H046RB5.5
-----------------------	-------------------------	------------------------	--

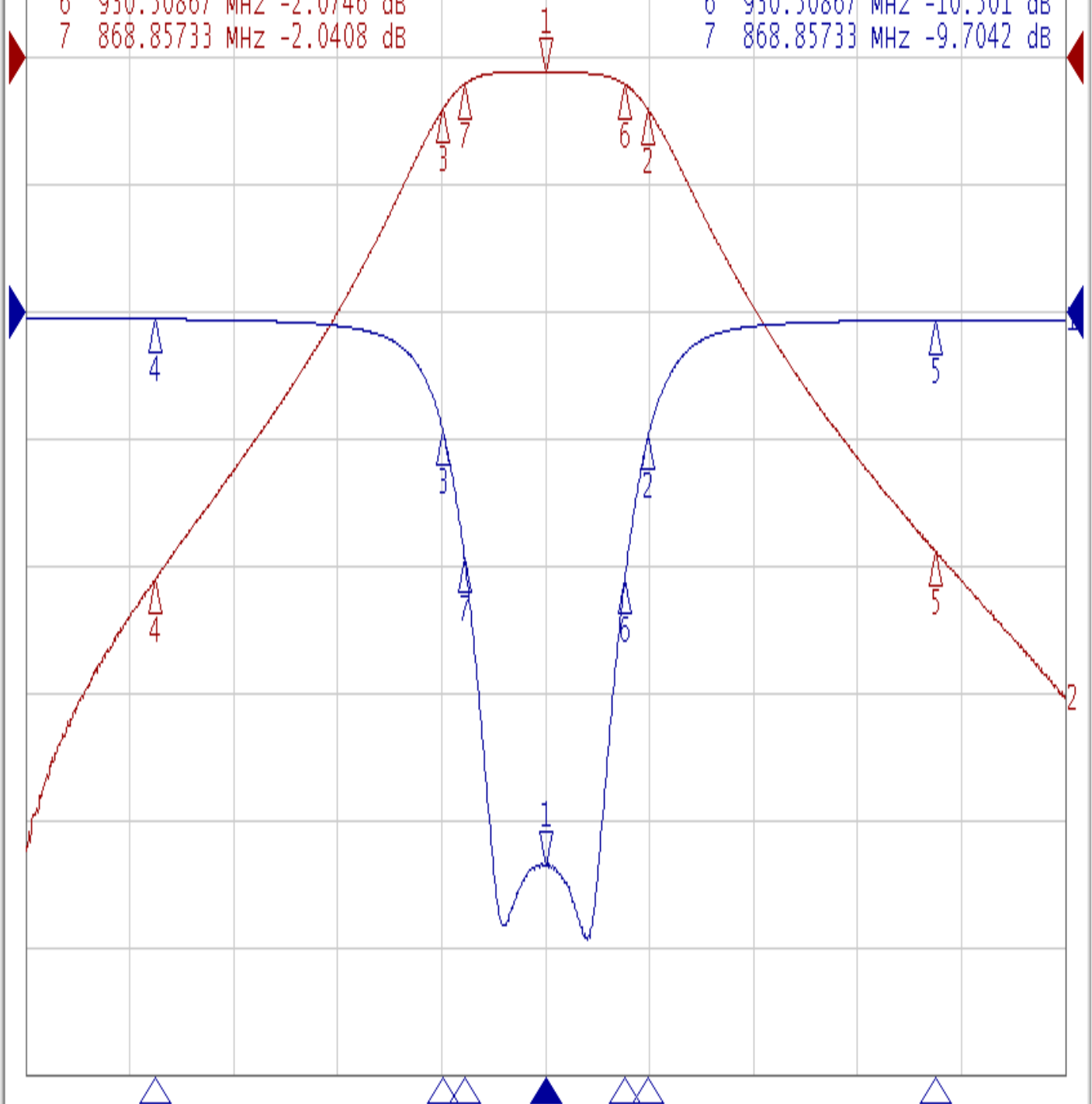
TEMWELL CORPORATION

# Performance-TT67518F-900M

## 201007092CD

Tr1 S11 Log Mag 5.000dB/ Ref 0.000dB [F2]  
Tr2 S21 Log Mag 10.00dB/ Ref 0.000dB [F2]

1	900.00000	MHz	-1.0754	dB	>1	900.00000	MHz	-21.757	dB
2	939.57800	MHz	-4.0834	dB	2	939.57800	MHz	-4.8715	dB
3	860.43200	MHz	-4.0231	dB	3	860.43200	MHz	-4.6378	dB
4	750.00000	MHz	-40.947	dB	4	750.00000	MHz	-0.2684	dB
5	1.0500000	GHz	-38.842	dB	5	1.0500000	GHz	-0.3094	dB
6	930.50867	MHz	-2.0746	dB	6	930.50867	MHz	-10.501	dB
7	868.85733	MHz	-2.0408	dB	7	868.85733	MHz	-9.7042	dB



1 Center 900 MHz

IFBW 10 kHz

Span 400 MHz Cor !