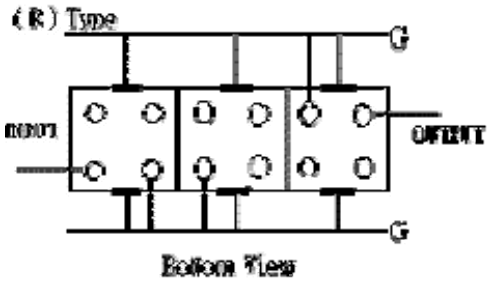
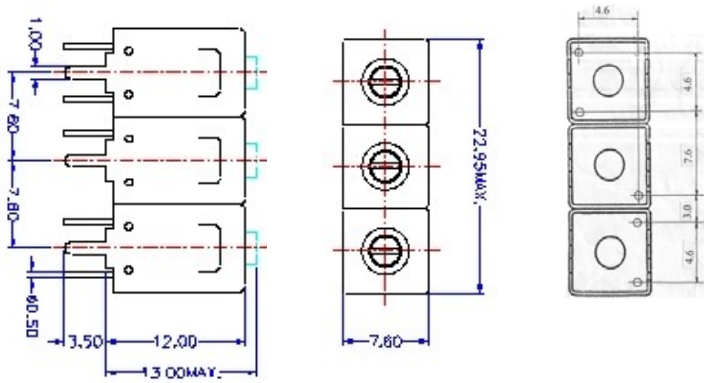


VHF UHF Helical Filter Specification Sheet

Customer Name		Temwell's Part No.	TT67524B-44M
Approval No. /dated	20208002B	Acceptable Specify Fo. Range	42~45MHz
Work Instruction No.	20208002B	Date	Aug.05.2002

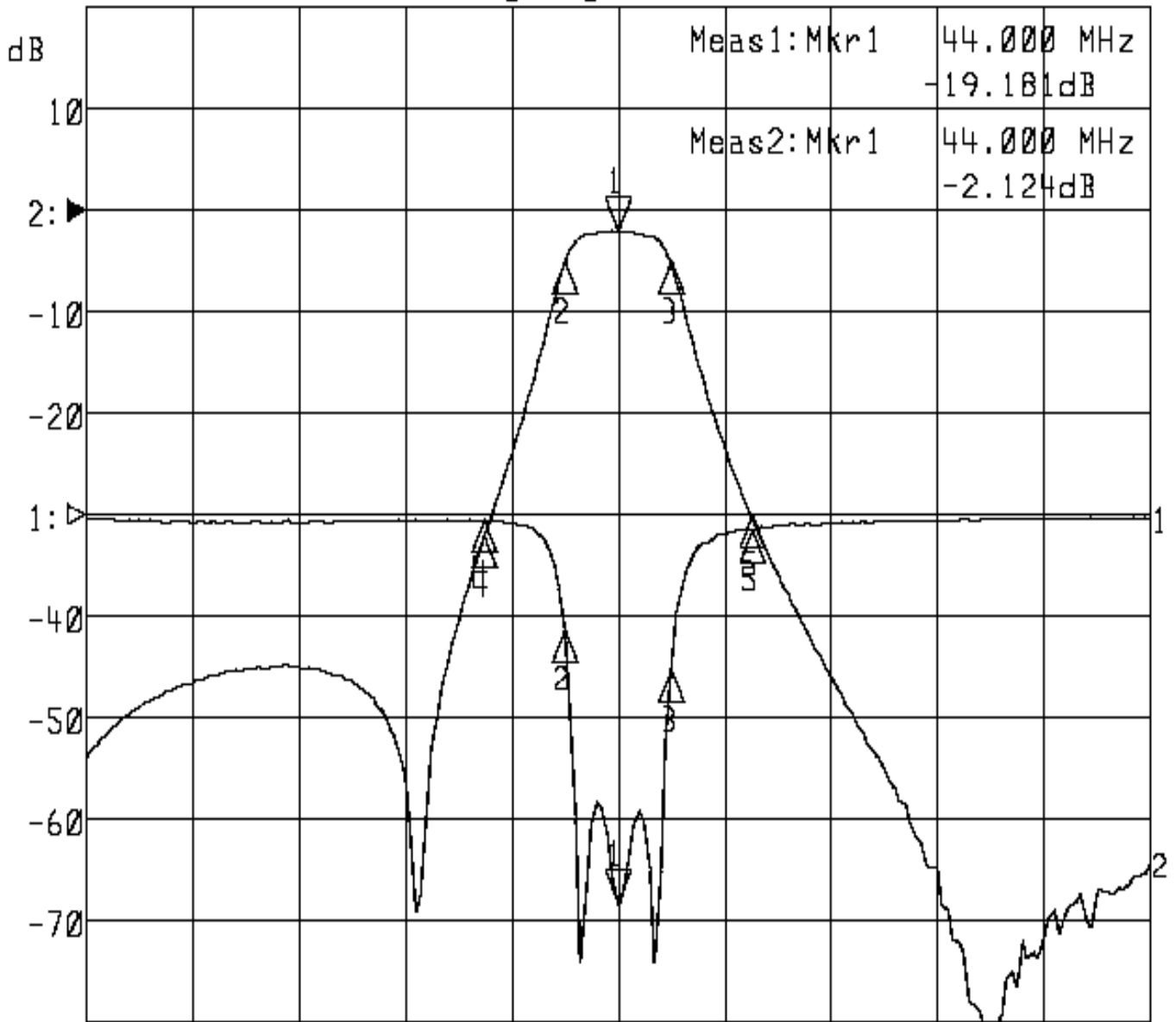
(1)Pin Position	(2)Size Diagram
 <p>Bottom View</p>	

(3)Electric Character			
Item		Specify	Performance
Center Freq.(Fo) +/- 0.5 %		44 MHz	44 MHz
Tunable Range		44±2 MHz	44±2 MHz
Insertion Loss		Typ. 3.5 dB	2.1 dB
-3 dB Bandwidth		Typ. 7 MHz	8 MHz
Sensitivity (Attenuation)	Fo - 10 MHz	Typ. 27 dBc	30 dBc
	Fo + 10 MHz	Typ. 25 dBc	28 dBc
	Fo - ()MHz	Typ. dBc	dBc
	Fo +()MHz	Typ. dBc	dBc
Return Loss		Min. 12 dB	19 dB
Ripple		< 1 dB	dB
Impedance		In / Out : 50 Ω	In / Out : 50 Ω
(4)Torque for Tuning Screw		> 100gf • cm	
(5)Temperature Condition:			
Operating Temperature		0°C ~ +60°C	
Storage Temperature		-20°C ~ +70°C	
(6)Input Power		> 1Watt	
Approval	Supervisor	Designer	Aperture size
C.Y.Chang	C.S.Chang	C.S.Chang	7H3S(4*8.0) 7H00LB6
TEMWELL CORPORATION			

Performance-TT67524B-44M

20208002B

▷1:S11 Refl Port1 Log Mag 5.0 dB/ Ref 0.00 dB C
▶2:S21 Fwd Trans Log Mag 10.0 dB/ Ref 0.00 dB C



Center 44.000 MHz

Span 80.000 MHz

1:Mkr (MHz)	dB	2:Mkr (MHz)	dB
1> 44.0000	-19.181	1> 44.0000	-2.124
2: 40.0000	-5.629	2: 40.0000	-5.107
3: 47.9467	-7.685	3: 47.9467	-5.004
4: 34.0000	-0.312	4: 34.0000	-32.077
5: 54.0000	-0.704	5: 54.0000	-30.103