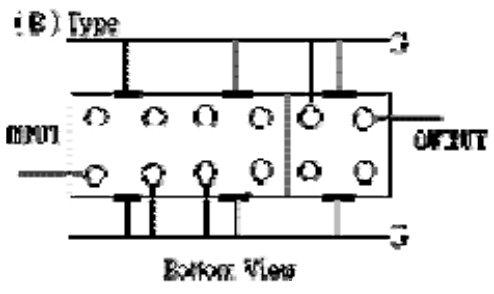
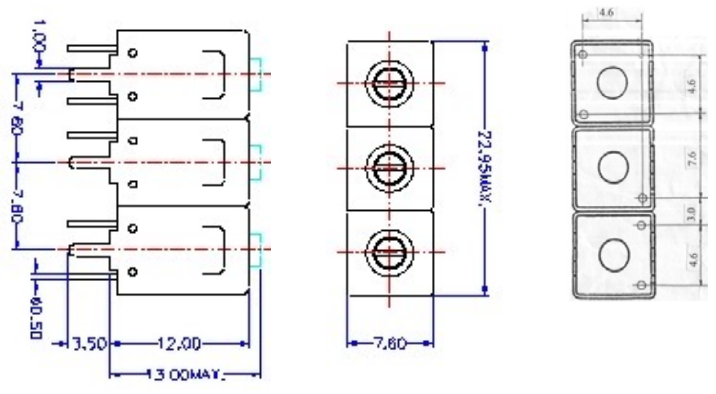


VHF UHF Helical Filter Specification Sheet

Customer Name		Temwell's Part No.	TT67526B-60M
Approval No. /dated	20307005B	Acceptable Specify Fo. Range	56~67MHz
Work Instruction No.	20307005B	Date	July.03.2003

<p>(1) Pin Position</p>  <p style="text-align: center;">Bottom View</p>	<p>(2) Size Diagram</p> 
--	--

(3) Electric Character			
Item	Specify	Performance	
Center Freq.(Fo) +/- 0.5 %	60 MHz	60 MHz	
Tunable Range	60±2 MHz	60±2 MHz	
Insertion Loss	Typ. 3.5 dB	2.0 dB	
-3 dB Bandwidth	Typ. 10 MHz	11 MHz	
Sensitivity (Attenuation)	Fo - 15 MHz	Typ. 32 dBc	35 dBc
	Fo + 15 MHz	Typ. 27 dBc	30 dBc
	Fo - ()MHz	Typ. dBc	dBc
	Fo +()MHz	Typ. dBc	dBc
Return Loss	Min. 12 dB	37 dB	
Ripple	< 1 dB	dB	
Impedance	In / Out : 50 Ω	In / Out : 50 Ω	
(4) Torque for Tuning Screw	> 100gf • cm		

(5) Temperature Condition:	
Operating Temperature	0°C ~ +60°C
Storage Temperature	-20°C ~ +70°C
(6) Input Power	> 1Watt

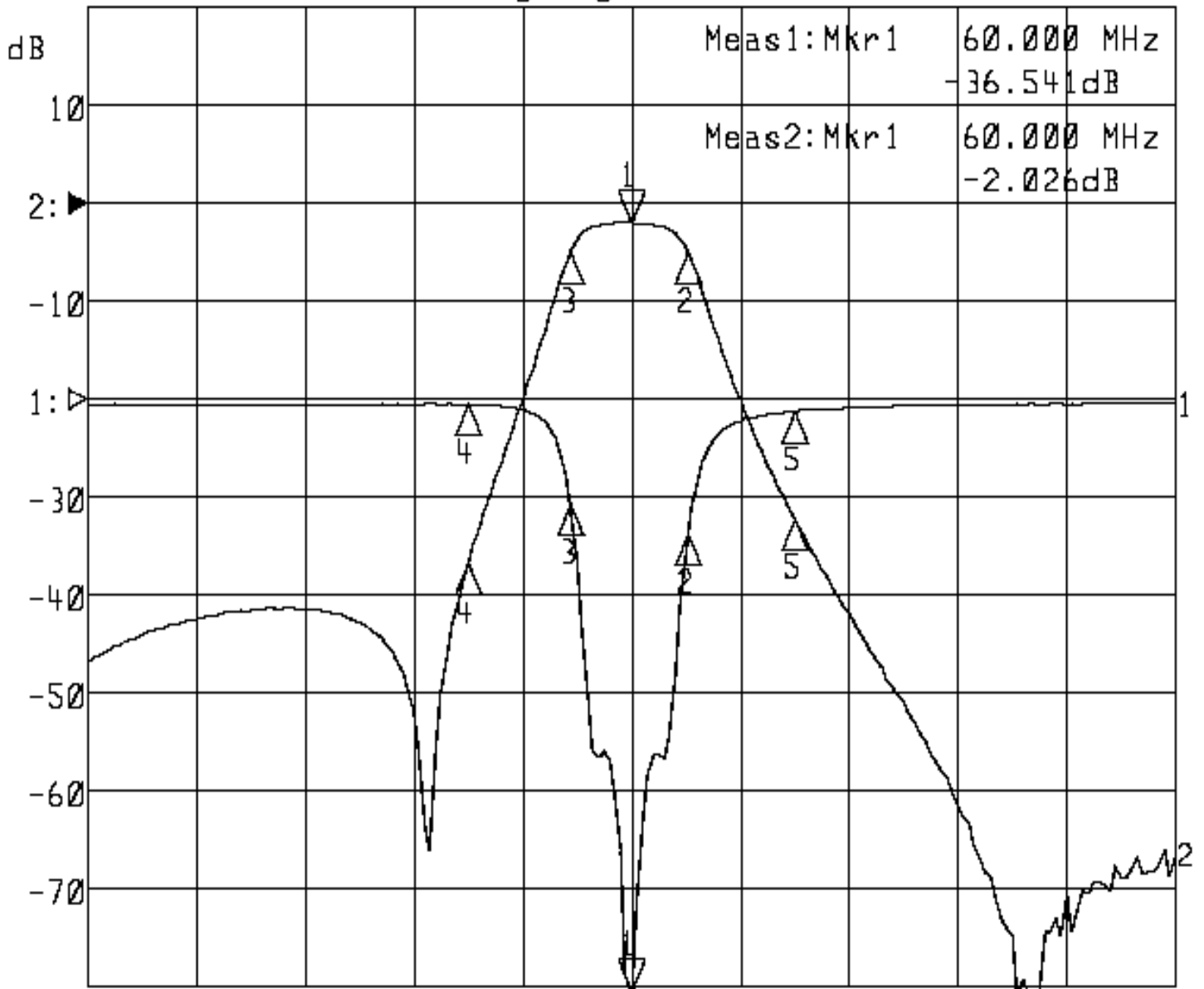
Approval	Supervisor	Designer	Aperture size
C.Y.Chang	C.S.Chang	C.S.Chang	7H3S(4*7.5) 7H00LB6

TEMWELL CORPORATION

Performance-TT67526B-60M

20307005B

▶1:S11 Refl Port1 Log Mag 5.0 dB/ Ref 0.00 dB C
▶2:S21 Fwd Trans Log Mag 10.0 dB/ Ref 0.00 dB C



Center 60.000 MHz

Span 100.000 MHz

1:Mkr (MHz)	dB	2:Mkr (MHz)	dB
1> 60.0000	-36.541	1> 60.0000	-2.026
2: 65.2000	-6.847	2: 65.2000	-5.024
3: 54.4000	-5.366	3: 54.4000	-5.005
4: 45.0000	-0.271	4: 45.0000	-36.760
5: 75.0000	-0.648	5: 75.0000	-32.265