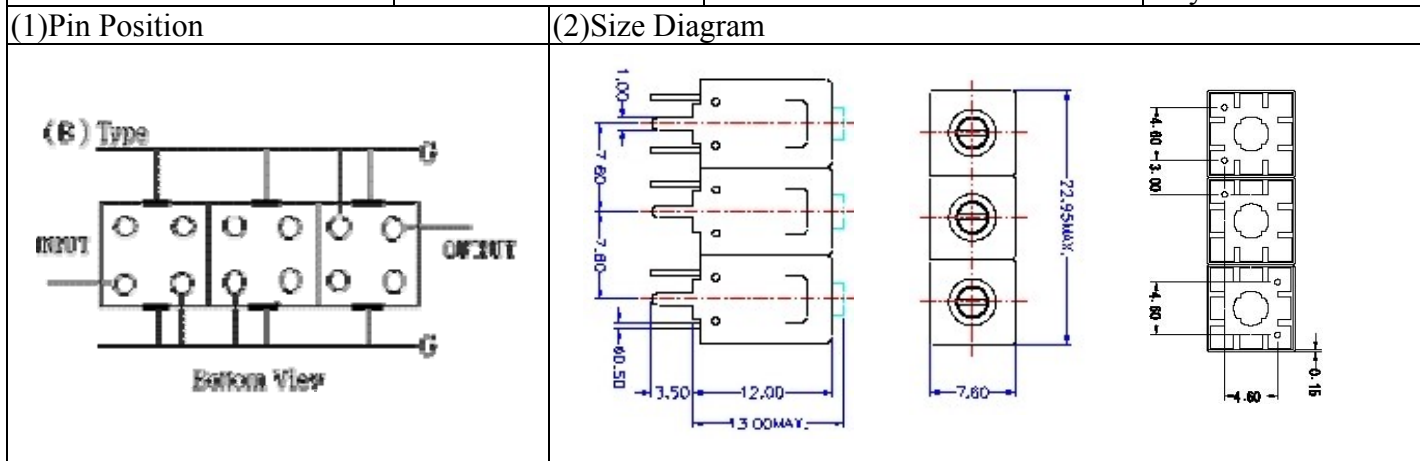


VHF UHF Helical Filter Specification Sheet

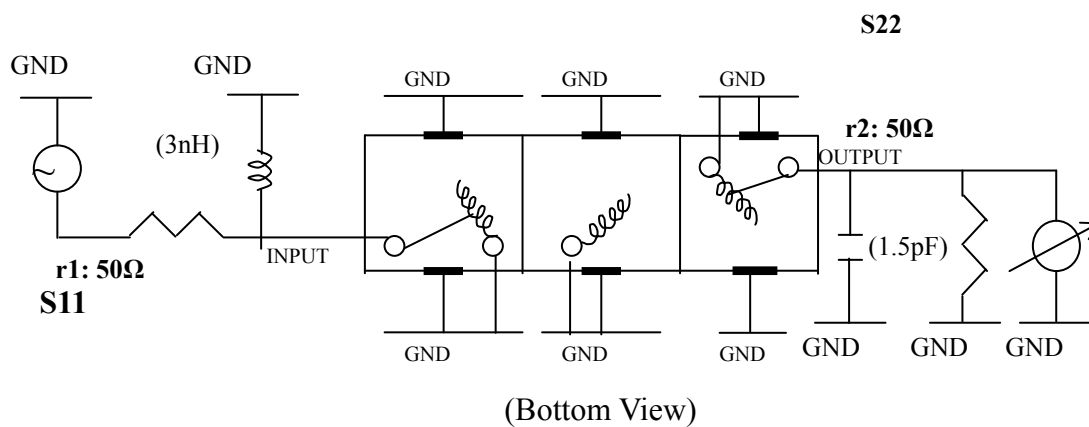
Customer Name		Temwell's Part No.	TT67529B-485M
Approval No. /dated	20205041DB	Acceptable Specify Fo Range	456~515MHz
Work Instruction No.	20205041DB	Date	May.20.2002



(3) Electric Chararistic

Item	Specify	Performance
Center Freq.(Fo) +/- 0.5 %	485 MHz	485 MHz
Tunable Range:	485±5 MHz	485±5 MHz
Insertion Loss	Typ. 1.5 dB	0.6 dB
-3 dB Bandwidth	Typ. 66 MHz	71 MHz
Sensitivity (Attenuation)	Fo - 100 MHz	Typ. 33 dBc
	Fo + 100 MHz	Typ. 21 dBc
	Fo - ()MHz	Typ. dBc
	Fo +()MHz	Typ. dBc
Return Loss	Min. 12 dB	16.3 dB
Ripple	< 1 dB	dB
Impedance	In / Out : 50 Ω	In / Out : 50 Ω
(4) Torque for Tuning Screw	> 100gf • cm	
(5) Temperature Condition:		
Operating Temperature	0°C ~ +60°C	
Storage Temperature	-20°C ~ +70°C	
(6) Input Power	> 1Watt	

(7) Measuring Circuit: ※Easy to match Impedance S11/S22 50Ω by parallel with about(3nH) / (1.5pF).



Approval	Supervisor	Designer	Aperture size
C.Y.Chang	C.S.Chang	C.S.Chang	7H3S4*8.0 7H046LB6

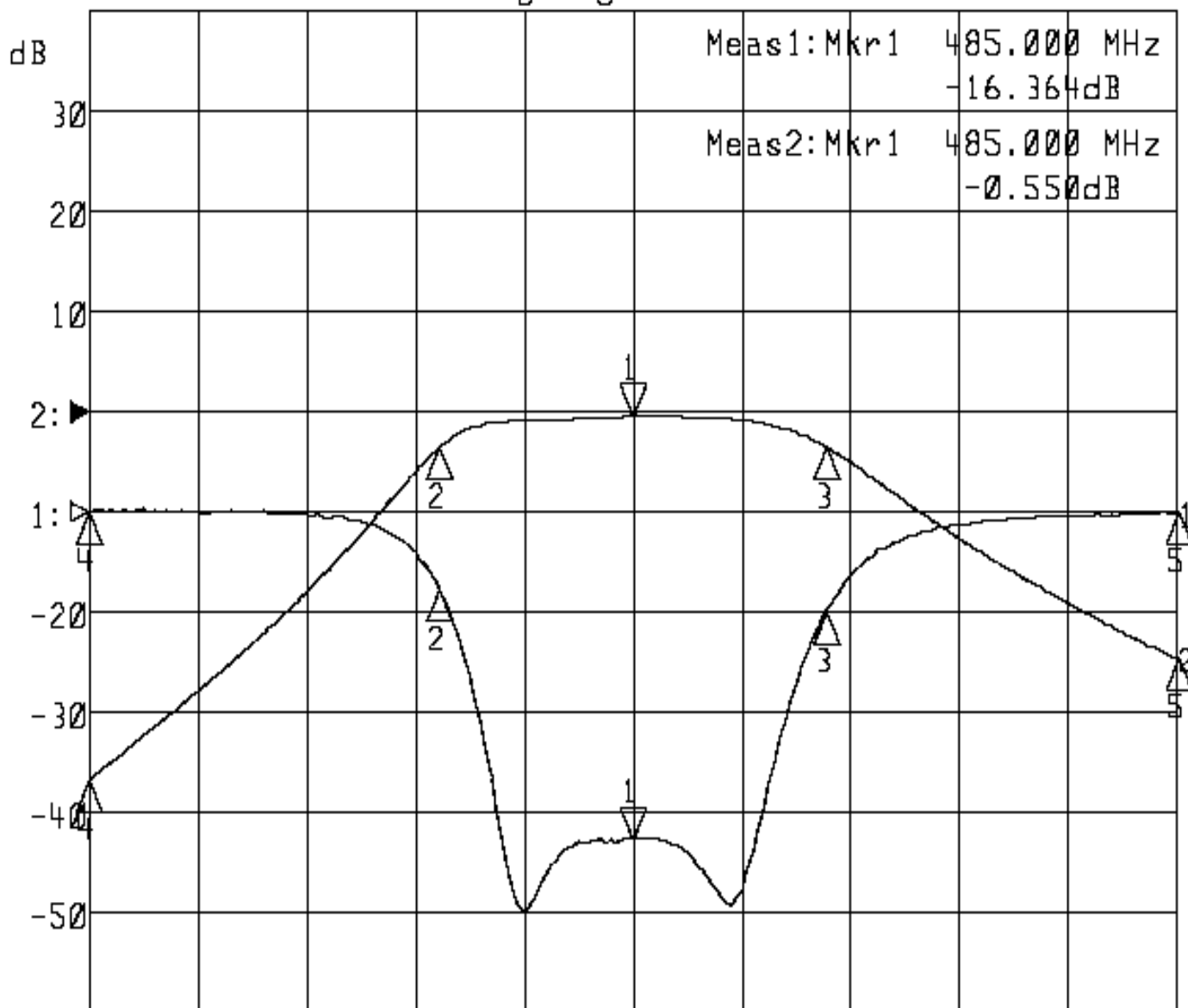
TEMWELL CORPORATION

Performance-TT67529B-485M

20205041DB

▶1:S11 Refl Port1 Log Mag 5.0 dB/ Ref 0.00 dB C

▶2:S21 Fwd Trans Log Mag 10.0 dB/ Ref 0.00 dB C



Center 485.000 MHz

Span 200.000 MHz

1:Mkr (MHz)	dB	2:Mkr (MHz)	dB
1> 485.0000	-16.364	1> 485.0000	-0.550
2: 449.4667	-3.844	2: 449.4667	-3.543
3: 520.6000	-4.938	3: 520.6000	-3.539
4: 385.0000	-0.039	4: 385.0000	-36.838
5: 585.0000	-0.029	5: 585.0000	-24.544