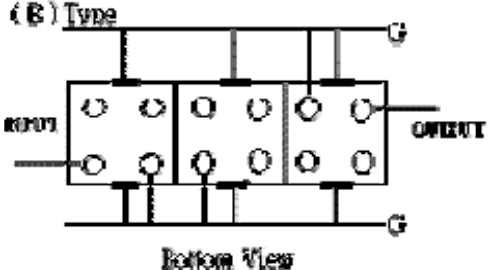
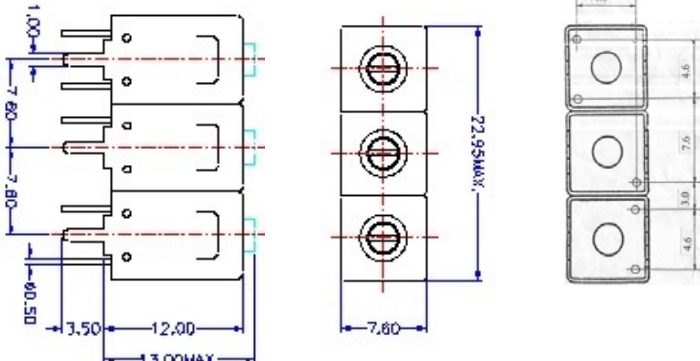


VHF UHF Helical Filter Specification Sheet

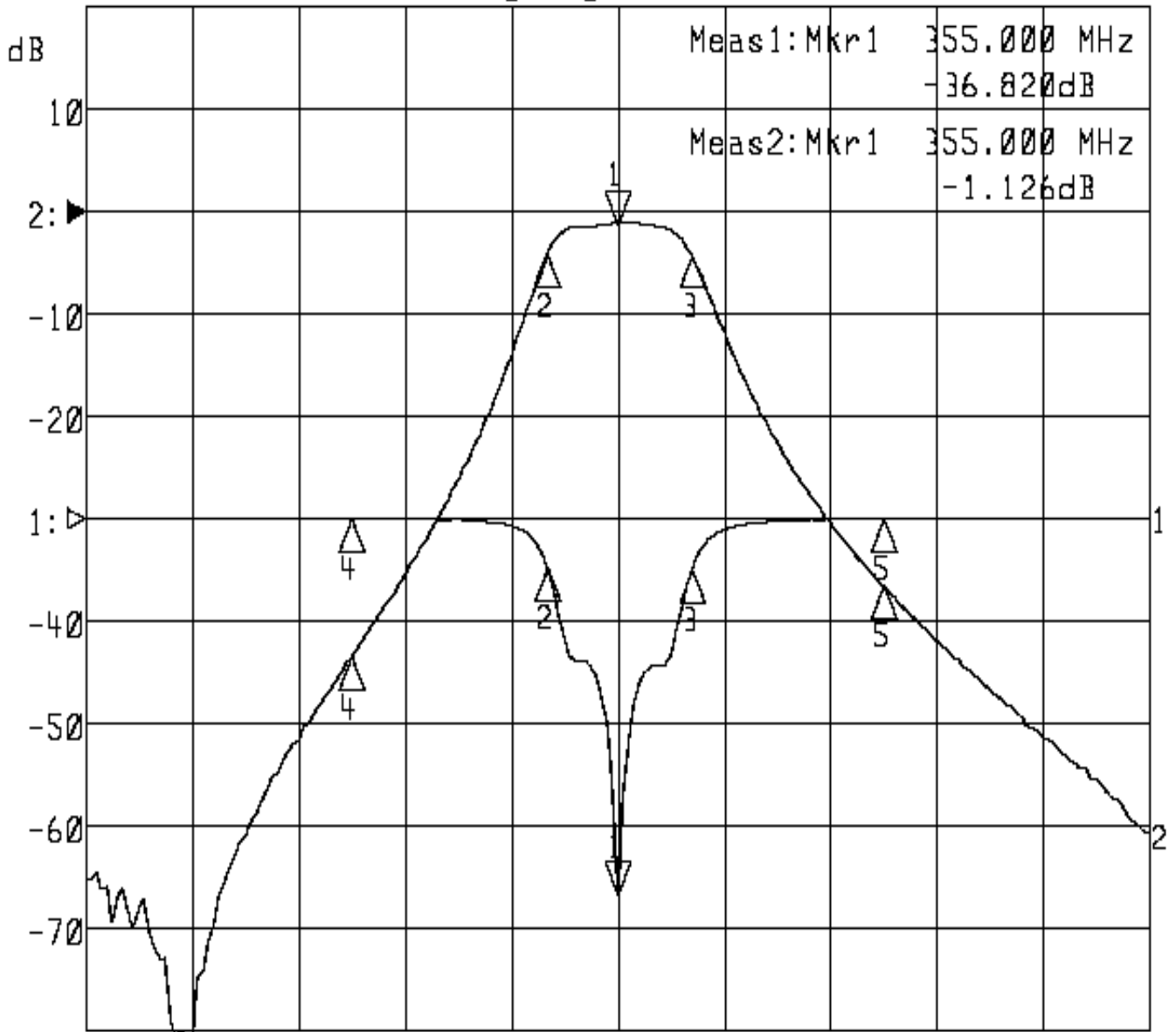
| | | | |
|---|-------------|--|--------------------------|
| Customer Name | | Temwell's Part No. | TT67543B-355M |
| Approval No. /dated | 20209035DB | Acceptable Specify Fo. Range | 311~355MHz |
| Work Instruction No. | 20209035DB | Date | |
| (1)Pin Position | | (2)Size Diagram | |
|  <p>(B) Type Bottom View</p> | |  | |
| (3)Electric Character | | | |
| Item | | Specify | Performance |
| Center Freq.(Fo) +/- 0.75 % | | 355 MHz | 355 MHz |
| Tunable Range | | 355±4 MHz | 355±4 MHz |
| Insertion Loss | | Typ. 2.0 dB | 1.1 dB |
| -3 dB Bandwidth | | Typ. 25 MHz | 27 MHz |
| Sensitivity (Attenuation) | Fo -50 MHz | Typ. 40 dBc | 42 dBc |
| | Fo +50 MHz | Typ. 32 dBc | 35 dBc |
| | Fo - ()MHz | Typ. dBc | dBc |
| | Fo +()MHz | Typ. dBc | dBc |
| Return Loss | | Min. 12 dB | 36 dB |
| Ripple | | < 1 dB | dB |
| Impedance | | In / Out : 50 Ω | In / Out : 50 Ω |
| (4)Torque for Tuning Screw | | > 100gf • cm | |
| (5)Temperature Condition: | | | |
| Operating Temperature | | -30°C ~ +70°C | |
| Storage Temperature | | -30°C ~ +80°C | |
| (6)Input Power | | > 1Watt | |
| Approval | Supervisor | Designer | Aperture size |
| C.Y.Chang | C.S.Chang | C.S.Chang | 7H3S(4*5.5)F 7H046LB5 |
| TEMWELL CORPORATION | | | |

Performance-TT67543B-355M

20209035DB

▶1:S11 Refl Port1 Log Mag 10.0 dB/ Ref 0.00 dB C

▶2:S21 Fwd Trans Log Mag 10.0 dB/ Ref 0.00 dB C



Center 355.000 MHz

Span 200.000 MHz

| 1: Mkr (MHz) | dB | 2: Mkr (MHz) | dB |
|--------------|---------|--------------|---------|
| 1> 355.0000 | -36.820 | 1> 355.0000 | -1.126 |
| 2: 341.6667 | -4.631 | 2: 341.6667 | -4.156 |
| 3: 368.8000 | -5.080 | 3: 368.8000 | -4.130 |
| 4: 305.0000 | -0.029 | 4: 305.0000 | -43.424 |
| 5: 405.0000 | -0.073 | 5: 405.0000 | -36.586 |