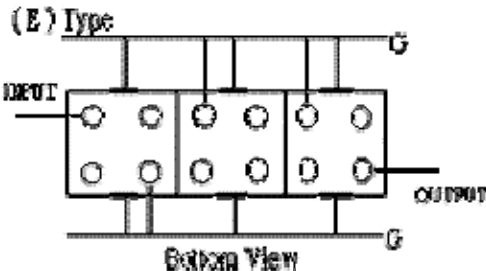
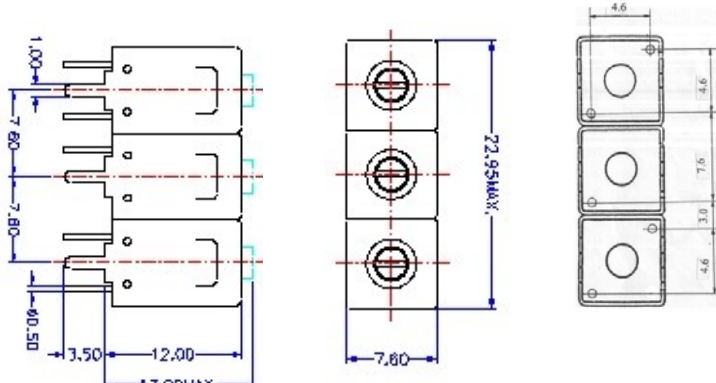


# VHF UHF Helical Filter Specification Sheet

Customer Name		Temwell's Part No.	TT67546E-708M
Approval No. /dated	20301069DC	Acceptable Specify Fo. Range	701~750MHz
Work Instruction No.	20301069DC	Date	

(1) Pin Position	(2) Size Diagram
 <p>(E) Type External View</p>	

(3) Electric Character			
Item	Specify	Performance	
Center Freq.(Fo ) +/- 0.5 %	708 MHz	708 MHz	
Tunable Range	708±3 MHz	708±3 MHz	
Insertion Loss	Typ. 3.0 dB	2.2 dB	
-1 dB Bandwidth	Typ. 7 MHz	14 MHz	
-3 dB Bandwidth	Typ. 14 MHz	18 MHz	
Sensitivity (Attenuation)	Fo -50 MHz	Typ. 38 dBc	42 dBc
	Fo +50 MHz	Typ. 40 dBc	45 dBc
	Fo - ( )MHz	Typ. dBc	dBc
	Fo +( )MHz	Typ. dBc	dBc
Return Loss	Min. 12 dB	20 dB	
Ripple	< 1 dB	dB	
Impedance	In / Out : 50 Ω	In / Out : 50 Ω	
(4) Torque for Tuning Screw	> 100gf • cm		

(5) Temperature Condition:	
Operating Temperature	0°C ~ +60°C
Storage Temperature	-20°C ~ +70°C
(6) Input Power	> 1Watt

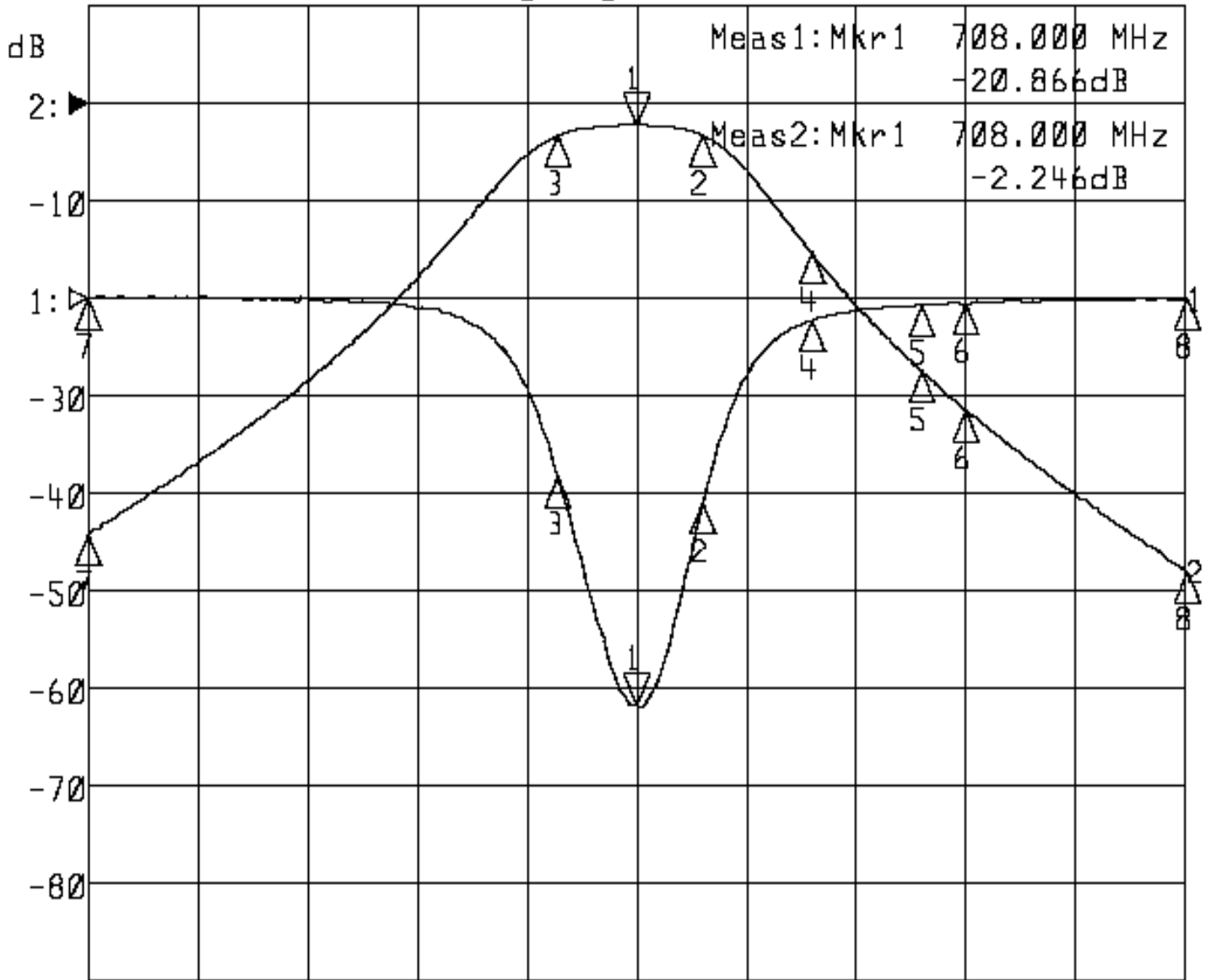
Approval	Supervisor	Designer	Aperture size
C.Y.Chang	C.S.Chang	C.S.Chang	7H3S(4*6.5)F 7H046LB4 聚 3

TEMWELL CORPORATION

# Performance-TT67546E-708M

## 20301069DC

▶1:S11 Refl Port1 Log Mag 5.0 dB/ Ref 0.00 dB C  
 ▶2:S21 Fwd Trans Log Mag 10.0 dB/ Ref 0.00 dB C



Center 708.000 MHz

Span 100.000 MHz

1:Mkr (MHz)	dB	2:Mkr (MHz)	dB
1> 708.0000	-20.866	1> 708.0000	-2.246
2: 714.0667	-10.444	2: 714.0667	-3.283
3: 700.8667	-9.158	3: 700.8667	-3.290
4: 724.0000	-1.137	4: 724.0000	-15.358
5: 734.0000	-0.350	5: 734.0000	-27.478
6: 738.0000	-0.286	6: 738.0000	-31.473
7: 658.0000	0.008	7: 658.0000	-44.286
8: 758.0000	0.013	8: 758.0000	-47.947