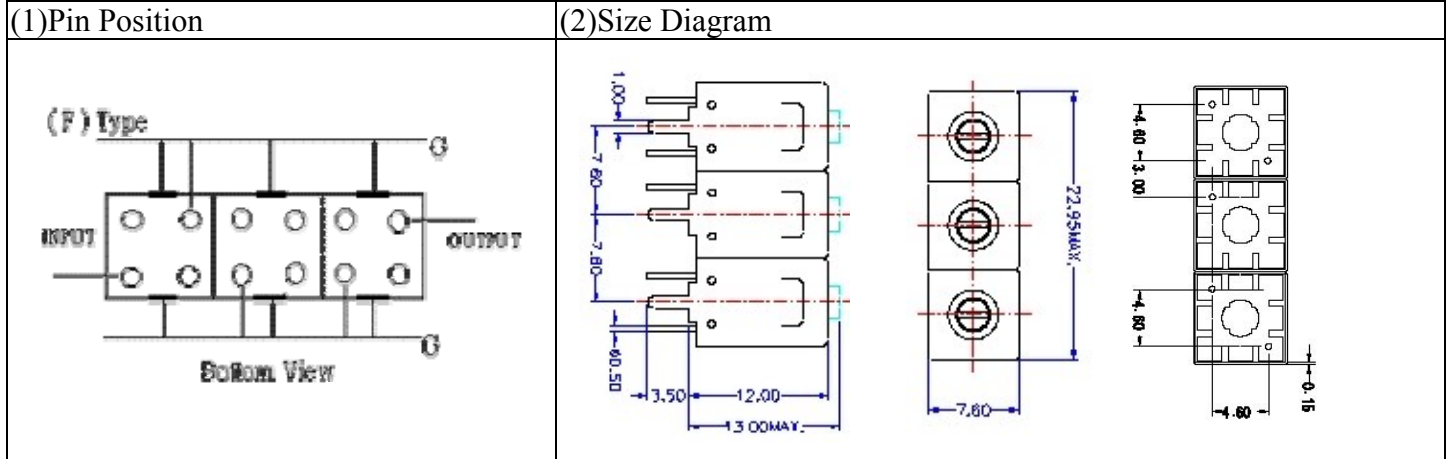


VHF UHF Helical Filter Specification Sheet

Customer Name		Temwell's Part No.	TT67549F-940.5M
Approval No. /dated	200809068C	Acceptable Specify Fo Range	931~950MHz
Work Instruction No.	200809068C	Date	Oct.01.2008



(3) Electric Characteristic

Item	Specify	Performance
Center Freq.(Fo) +/- 0.5 %	940.5 MHz	940.5 MHz
Tunable Range:	940.5±5 MHz	940.5±5 MHz
Insertion Loss	Typ. 2.5 dB	1.70 dB
-1 dB Bandwidth	Typ. 40 MHz	46 MHz
-3 dB Bandwidth	Typ. 49 MHz	54 MHz
Sensitivity (Attenuation)	Fo - 150 MHz	Typ. 57 dBc
	Fo + 150 MHz	Typ. 33 dBc
	Fo - ()MHz	Typ. dBc
	Fo +()MHz	Typ. dBc
Return Loss	Min. 12 dB	22.1 dB
Ripple	< 1 dB	dB
Impedance	In / Out : 50 Ω	In / Out : 50 Ω

(4) Torque for Tuning Screw > 100gf · cm

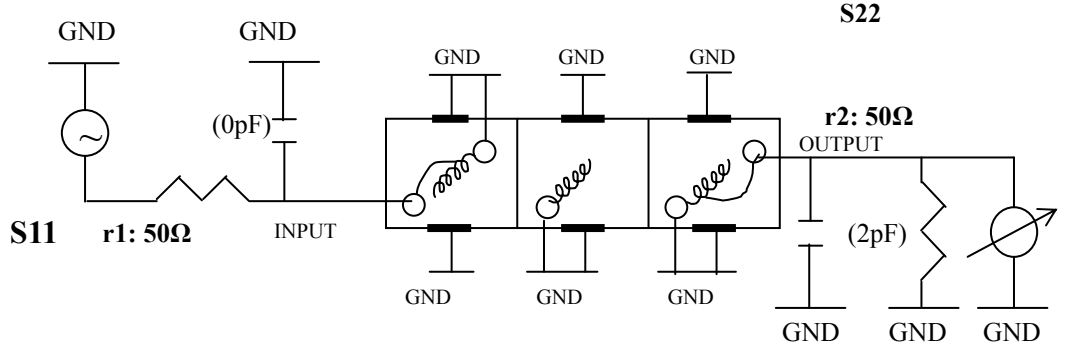
(5) Temperature Condition:

Operating Temperature 0°C ~ +60°C

Storage Temperature -20°C ~ +70°C

(6) Input Power > 1Watt

(7) Measuring Circuit: ※Easy to match Impedance S11/S22 50Ω by parallel with about(0pF) / (2pF).

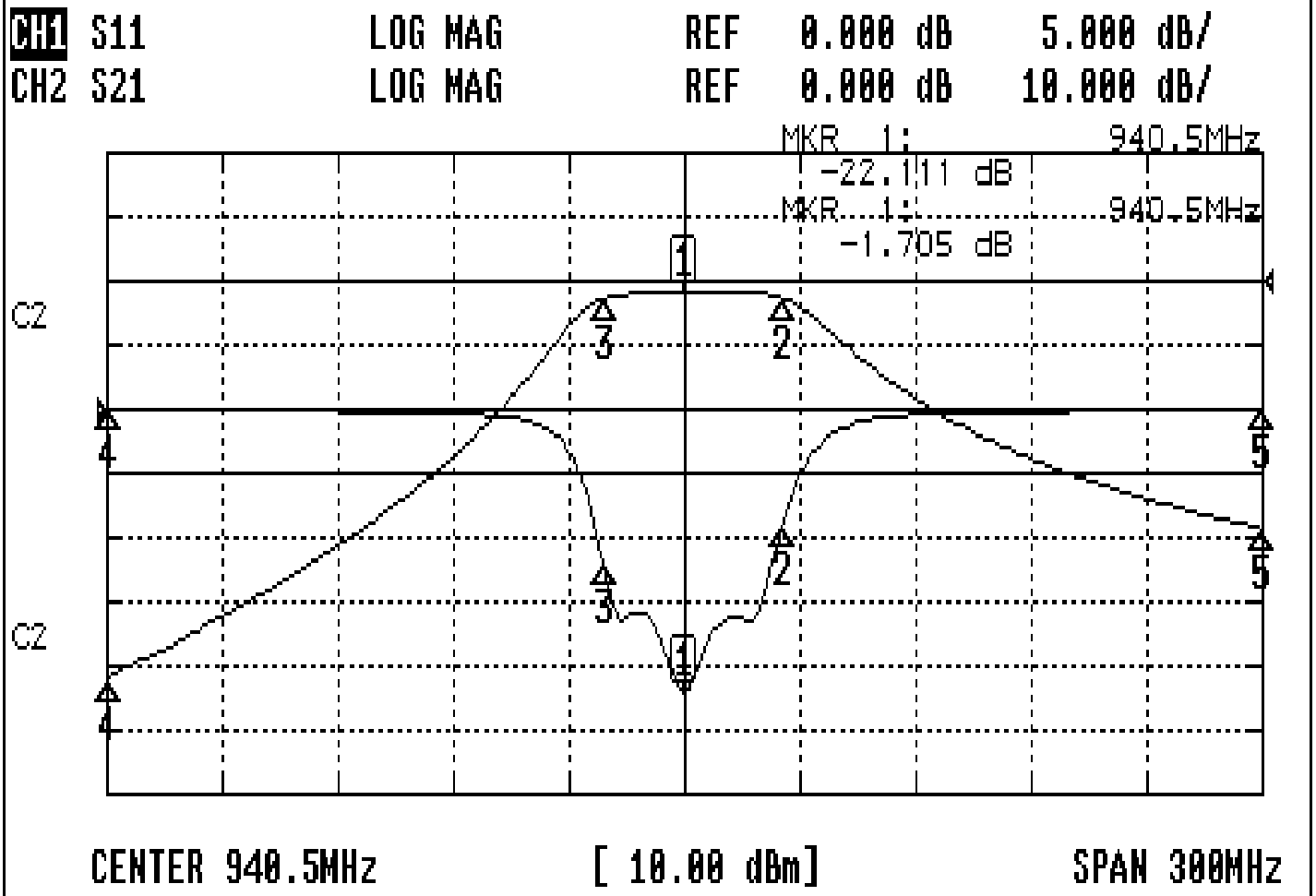


Approval C.Y.Chang	Supervisor C.S.Chang	Designer Y.H.Yeh	Aperture size 7H3S(4*6.5F) 7H046LB5
-----------------------	-------------------------	---------------------	---

TEMWELL CORPORATION

Performace-TT67549F-940.5M

200809068C



CH1 MARKER LIST

1:	940.500MHz	-22.111 dB
2:	966.250MHz	-8.963 dB
3:	919.500MHz	-11.983 dB
4:	790.500MHz	-0.083 dB
5:	1.090 500GHz	-0.103 dB

CH2 MARKER LIST

1:	940.500MHz	-1.701 dB
2:	966.250MHz	-2.720 dB
3:	919.500MHz	-2.695 dB
4:	790.500MHz	-61.727 dB
5:	1.090 500GHz	-38.567 dB