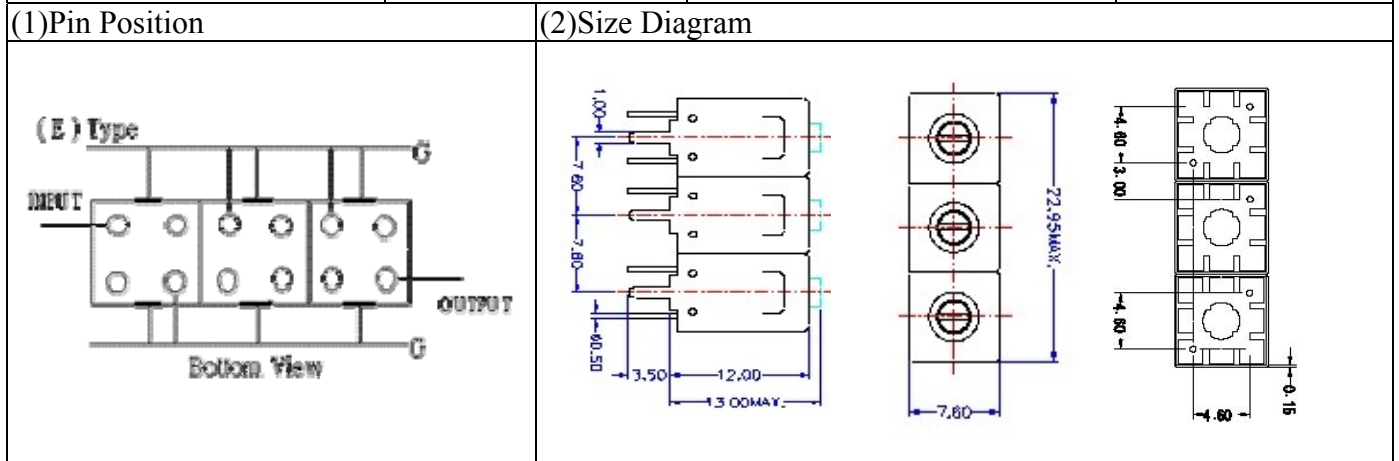


# VHF UHF Helical Filter Specification Sheet

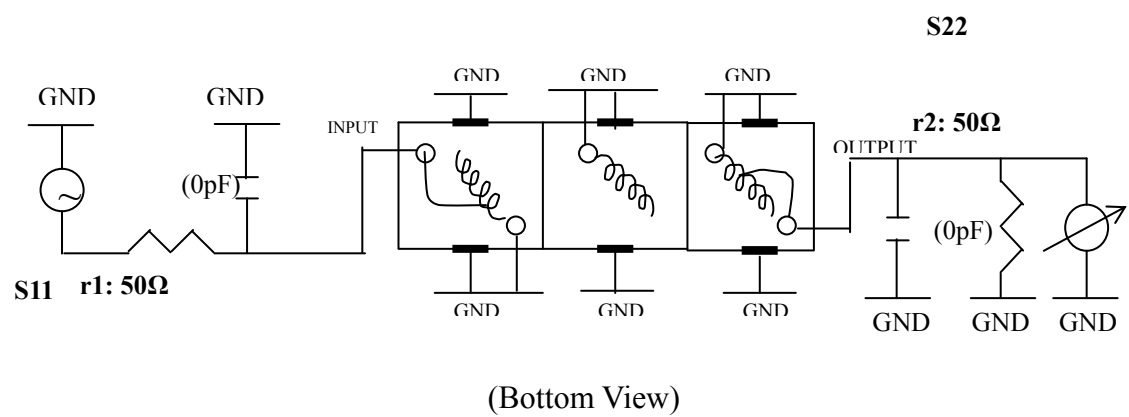
Customer Name		Temwell's Part No.	TT67550E-902.5M
Approval No. /dated	20302006DC	Acceptable Specify Fo Range	
Work Instruction No.	20302006DC	Date	2003/2/19



(3) Electric Characteristic		Item	Specify	Performance
Center Freq.(Fo) +/- 0.5 %			902.5 MHz	902.5 MHz
Tunable Range:			902.5±5 MHz	902.5±5 MHz
Insertion Loss		Typ.	3.0 dB	1.9 dB
-3 dB Bandwidth		Typ.	27 MHz	32 MHz
Sensitivity (Attenuation)	Fo -( 100 ) MHz	Typ.	42 dBc	44 dBc
	Fo +( 100 ) MHz	Typ.	46 dBc	48 dBc
	Fo -( )MHz	Typ.	dBc	dBc
	Fo +( )MHz	Typ.	dBc	dBc
Return Loss		Min.	12 dB	17 dB
Ripple			< 1 dB	dB
Impedance			In / Out : 50 Ω	In / Out : 50 Ω

(4) Torque for Tuning Screw	> 100gf · cm
(5) Temperature Condition:	
Operating Temperature	0°C ~ +60°C
Storage Temperature	-20°C ~ +70°C
(6) Input Power	> 1Watt

(7) Measuring Circuit: ※Easy to match Impedance S11/S22 50Ω by parallel with about(0pF) / (0pF).



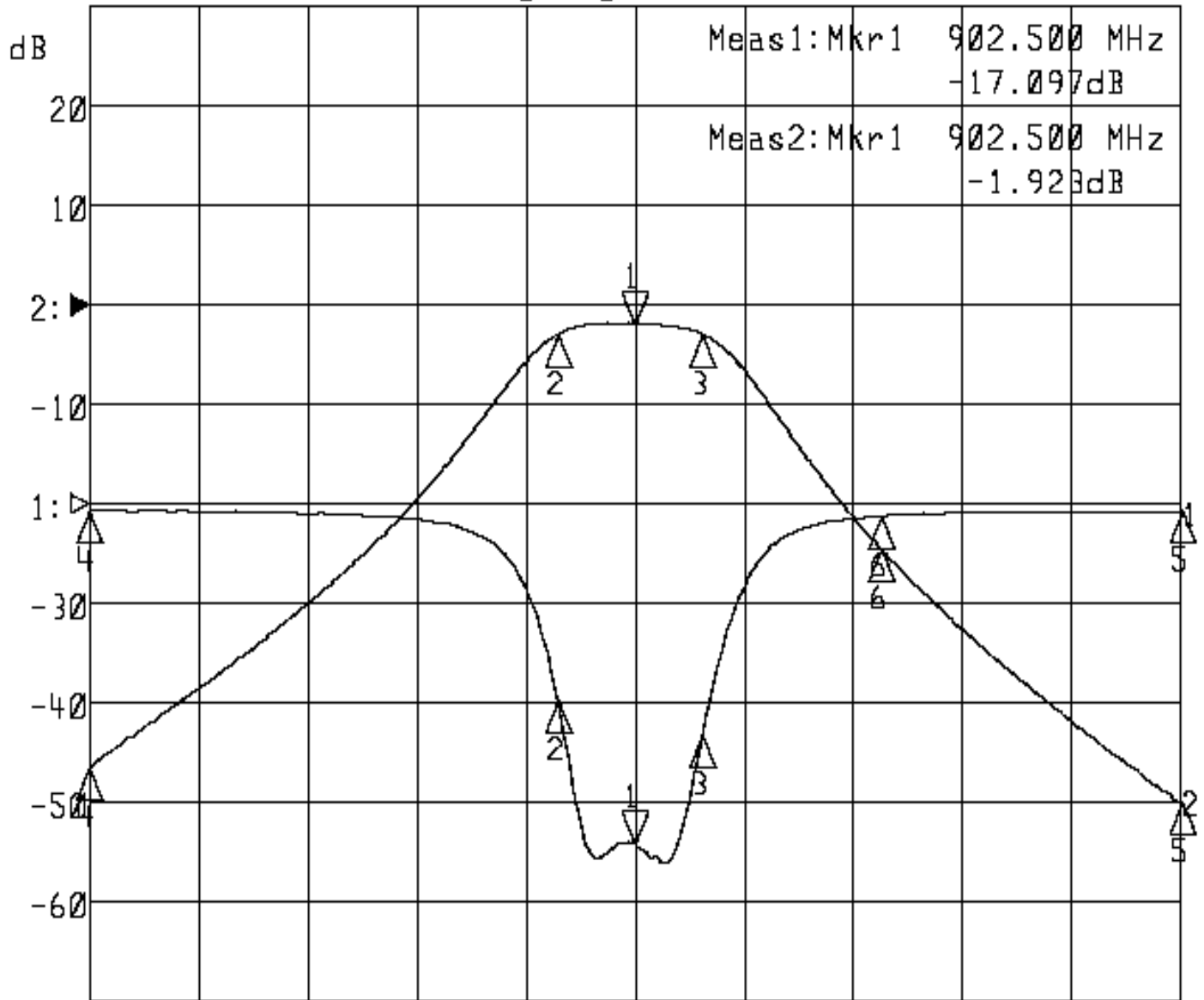
Approval	Supervisor	Designer	Aperture size
C.Y.Chang	C.S.Chang	P.H.Chiang	7H3S 4*7.42 7H046LB4 聚 3

TEMWELL CORPORATION

# Performance-TT67550E-902.5M

## 20302006DC

▶1:S11 Refl Port1    Log Mag    5.0 dB/ Ref    0.00 dB    C  
 ▶2:S21 Fwd Trans    Log Mag    10.0 dB/ Ref    0.00 dB    C



Center 902.500 MHz

Span 200.000 MHz

1: Mkr (MHz)	dB	2: Mkr (MHz)	dB
1> 902.5000	-17.097	1> 902.5000	-1.923
2: 888.3667	-9.846	2: 888.3667	-2.943
3: 914.8333	-11.669	3: 914.8333	-2.891
4: 802.5000	-0.343	4: 802.5000	-46.505
5: 1002.5000	-0.427	5: 1002.5000	-49.953
6: 947.5000	-0.642	6: 947.5000	-24.446