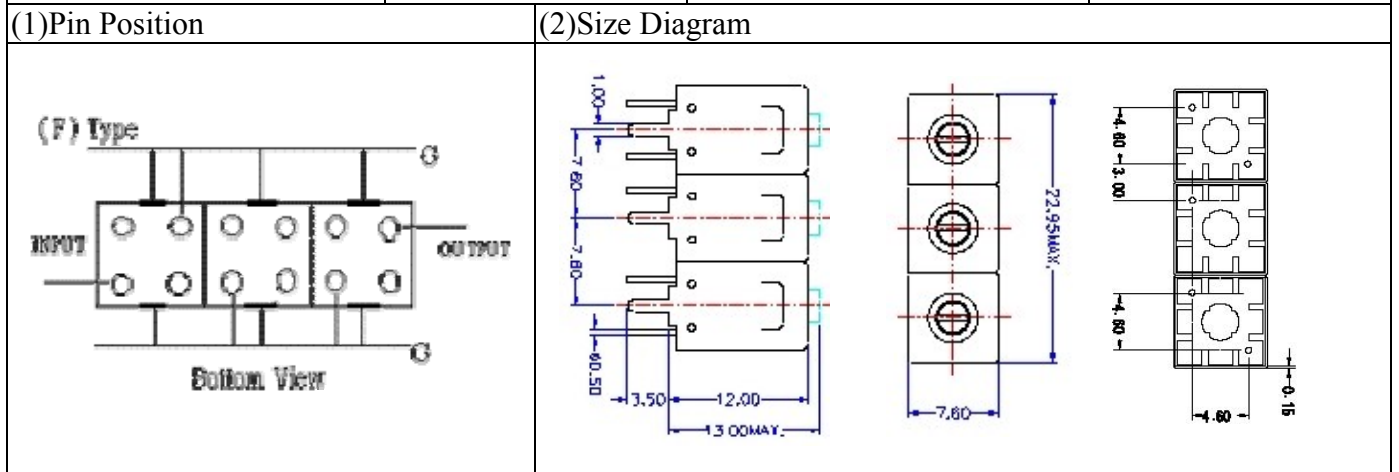


# VHF UHF Helical Filter Specification Sheet

Customer Name		Temwell's Part No.	TT67551F-947.5M
Approval No. /dated	201407229CD	Temwell's print name	67551F 947.5M
Work Instruction No.	201407229CD	Date	Oct.08.2014



(3) Electric Characteristic

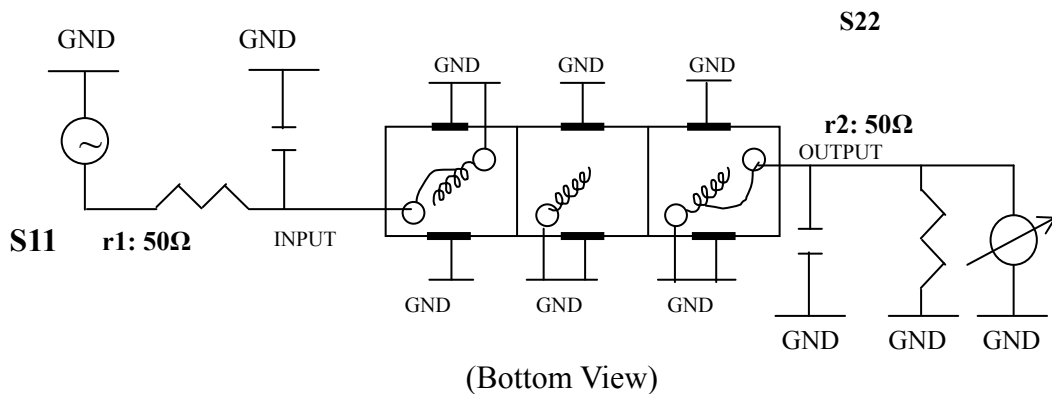
Item	Specify	Performance	
Center Freq.(Fo ) +/- 0.5 %	947.5 MHz	947.5 MHz	
Insertion Loss	Typ. 3.0 dB	1.89 dB	
-3 dB Bandwidth	Typ. 25 MHz	32.8 MHz	
Sensitivity (Attenuation )	Fo -100 MHz	Typ. 55 dBc	63 dBc
	Fo +100 MHz	Typ. 32 dBc	35 dBc
	Fo - ( )MHz	Typ. dBc	dBc
	Fo +( )MHz	Typ. dBc	dBc
Return Loss	Min. 12 dB	26.0 dB	
Ripple	< 1 dB	dB	
Impedance	In / Out : 50 Ω	In / Out : 50 Ω	

(4) Torque for Tuning Screw > 100gf • cm

(5) Temperature Condition:	
Operating Temperature	0°C ~ +60°C
Storage Temperature	-20°C ~ +70°C

(6) Input Power > 1Watt

(7) Measuring Circuit: ※Easy to match Impedance S11/S22 50Ω by parallel with about ( -- ).

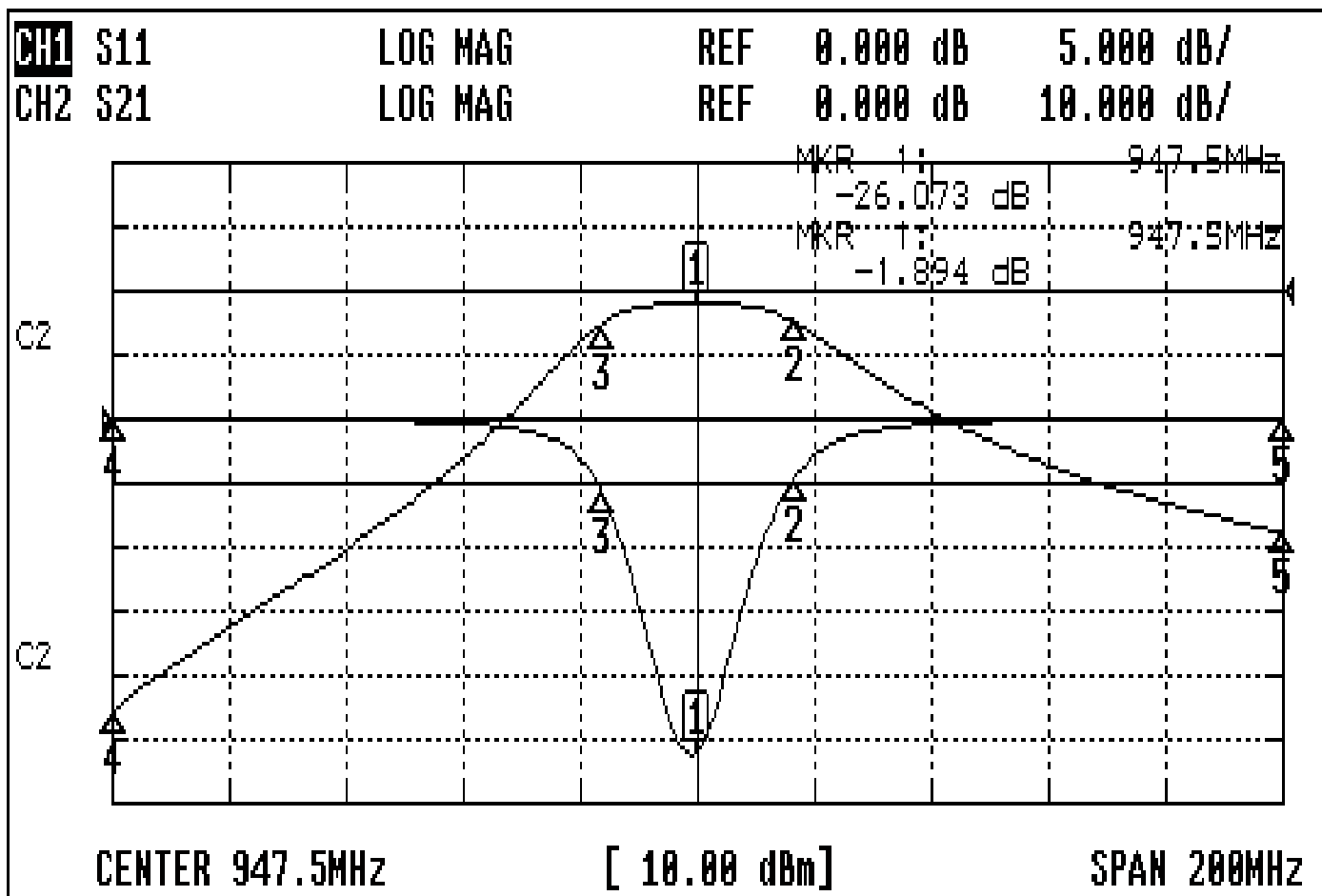


Approval	Supervisor	Designer	Aperture size
C.Y.Chang	C.K.Chang	J.Yang	7H3S(4*7.35)(7.38) 7H046LB4.3 聚 3(J1)

TEMWELL CORPORATION

# Performance-TT67551F-947.5M

## 201407229CD



### CH1 MARKER LIST

1:	947.500MHz	-26.073	dB
2:	964.166MHz	-4.602	dB
3:	931.333MHz	-5.699	dB
4:	847.500MHz	0.030	dB
1.047500GHz		0.101	dB

### CH2 MARKER LIST

1:	947.500MHz	-1.894	dB
2:	964.166MHz	-4.896	dB
3:	931.333MHz	-4.880	dB
4:	847.500MHz	-65.418	dB
1.047500GHz		-37.670	dB