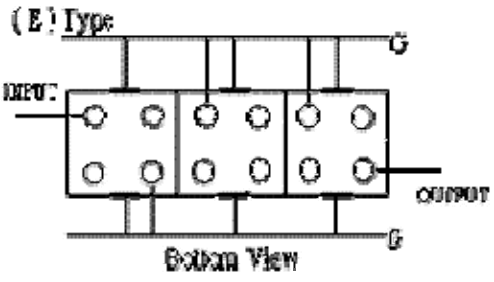
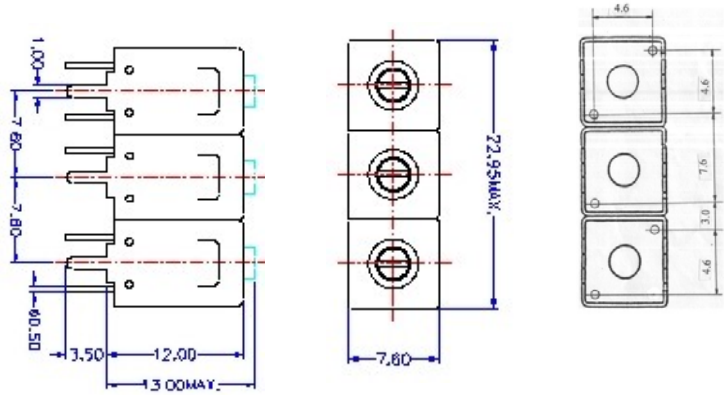


VHF UHF Helical Filter Specification Sheet

Customer Name		Temwell's Part No.	TT67556E-902.5M
Approval No. /dated	20308024DC	Acceptable Specify Fo. Range	901~930MHz
Work Instruction No.	20308024DC	Date	

(1) Pin Position	(2) Size Diagram
 <p style="text-align: center;">Bottom View</p>	

(3) Electric Character			
Item		Specify	Performance
Center Freq.(Fo) +/- 0.5 %		902.5 MHz	902.5 MHz
Tunable Range		902.5±10 MHz	902.5±10 MHz
Insertion Loss		Typ. 3.5 dB	2.6 dB
-1 dB Bandwidth		Typ. 10 MHz	16 MHz
-3 dB Bandwidth		Typ. 15 MHz	20 MHz
Sensitivity (Attenuation)	Fo -100 MHz	Typ. 47 dBc	49 dBc
	Fo +100 MHz	Typ. 55 dBc	57 dBc
	Fo - ()MHz	Typ. dBc	dBc
	Fo +()MHz	Typ. dBc	dBc
Return Loss		Min. 12 dB	28.3 dB
Ripple		< 1 dB	dB
Impedance		In / Out : 50 Ω	In / Out : 50 Ω
(4) Torque for Tuning Screw		> 100gf · cm	

(5) Temperature Condition:	
Operating Temperature	0°C ~ +60°C
Storage Temperature	-20°C ~ +70°C
(6) Input Power	> 1Watt

Approval	Supervisor	Designer	Aperture size
C.Y.Chang	C.S.Chang	C.S.Chang	7H3S(4*6.5)F 7H046LB4 聚 3

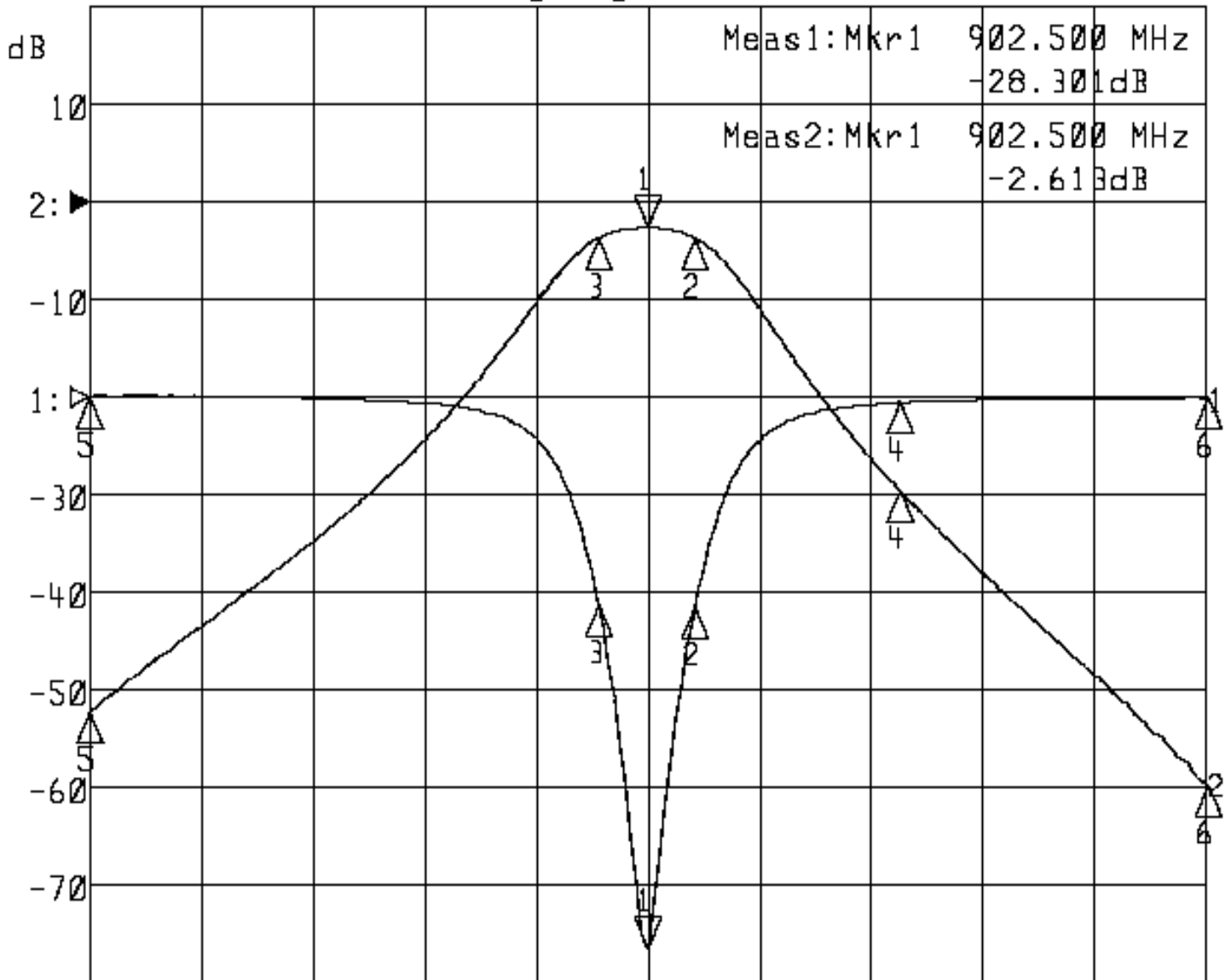
TEMWELL CORPORATION

Performance-TT67556E-902.5M

20308024DC

▶1:S11 Refl Port1 Log Mag 5.0 dB/ Ref 0.00 dB C

▶2:S21 Fwd Trans Log Mag 10.0 dB/ Ref 0.00 dB C



Center 902.500 MHz

Span 200.000 MHz

1: Mkr (MHz)	dB	2: Mkr (MHz)	dB
1> 902.5000	-28.301	1> 902.5000	-2.613
2: 910.9000	-10.809	2: 910.9000	-3.654
3: 893.7000	-10.570	3: 893.7000	-3.656
4: 947.5000	-0.281	4: 947.5000	-29.425
5: 802.5000	0.014	5: 802.5000	-52.234
6: 1002.5000	-0.061	6: 1002.5000	-59.711