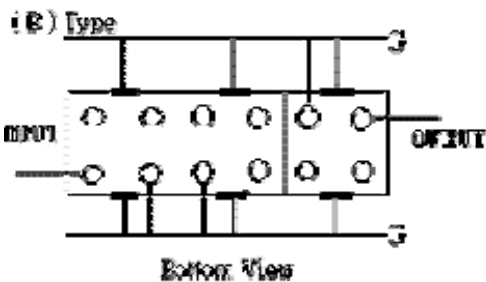
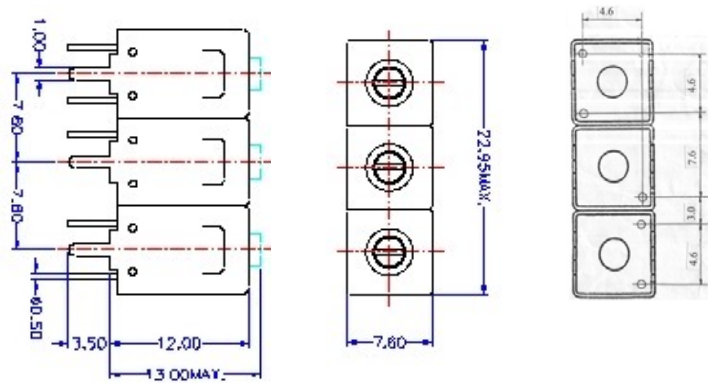


VHF UHF Helical Filter Specification Sheet

Customer Name		Temwell's Part No.	TT6755B-490M
Approval No. /dated	20207028B	Acceptable Specify Fo. Range	456~515MHz
Work Instruction No.	20207028B	Date	July.10.2002

<p>(1) Pin Position</p>  <p style="text-align: center;">Bottom View</p>	<p>(2) Size Diagram</p> 
--	--

(3) Electric Character

Item	Specify	Performance
Center Freq.(Fo) +/- 0.5 %	490 MHz	490 MHz
Tunable Range	490±3 MHz	490±3 MHz
Insertion Loss	Typ 1.5 dB	0.8 dB
-3 dB Bandwidth	Typ 26 MHz	31 MHz
Sensitivity (Attenuation)	Fo - 50 MHz	Typ. 39 dBc
	Fo + 50 MHz	Typ. 28 dBc
	Fo - ()MHz	Typ. dBc
	Fo +()MHz	Typ. dBc
Return Loss	Min. 12 dB	26 dB
Ripple	< 1 dB	1 dB
Impedance	In / Out : 50 Ω	In / Out : 50 Ω

(4) Torque for Tuning Screw > 100gf • cm

(5) Temperature Condition:

Operating Temperature	0°C ~ +60°C
Storage Temperature	-20°C ~ +70°C

(6) Input Power > 1Watt

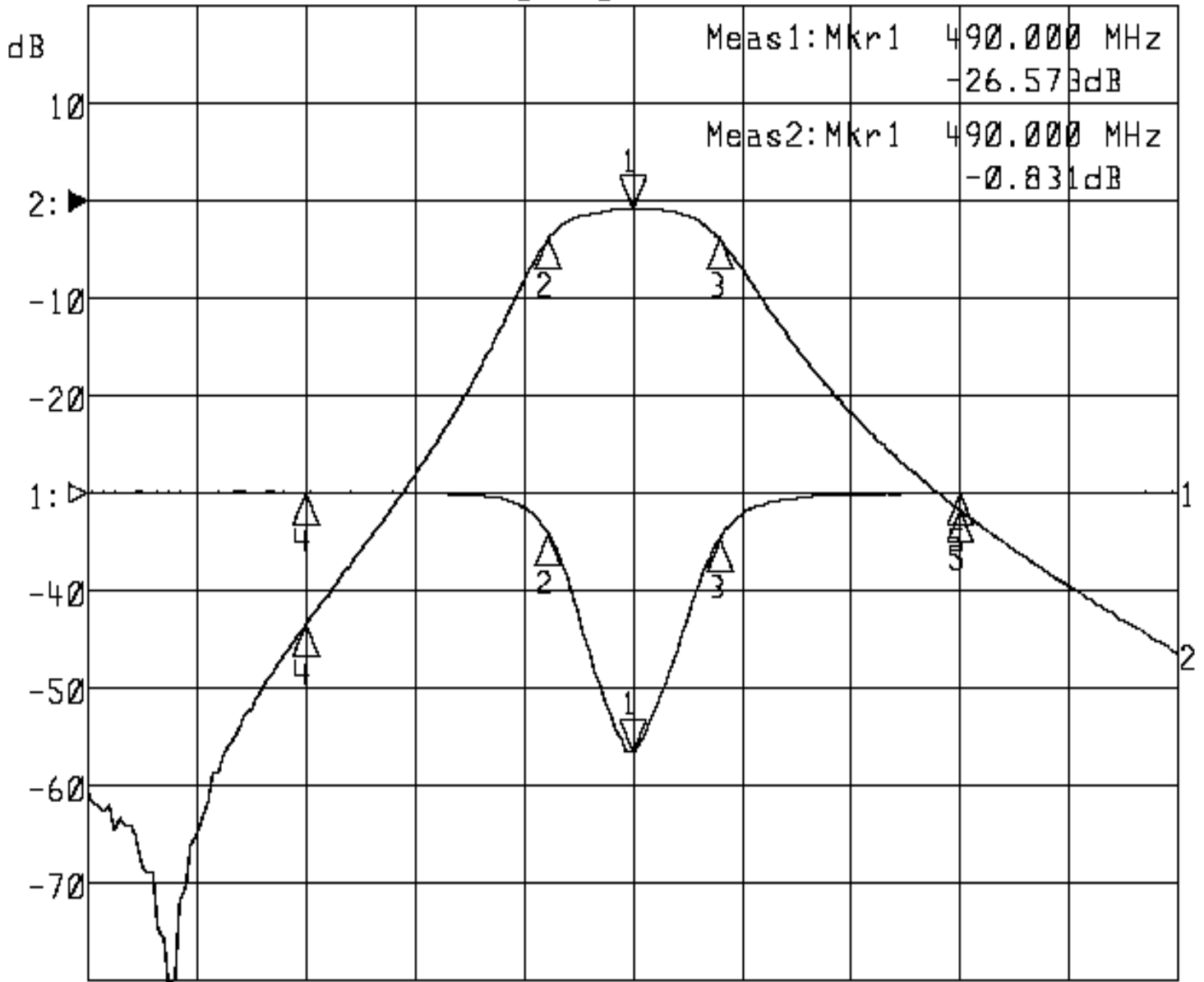
Approval	Supervisor	Designer	Aperture size
C.Y. Chang	C.S. Chang	C.S. Chang	7H3S(4*8.0)F 7H046LB4 聚 3

TEMWELL CORPORATION

Performance-TT6755B-490M

20207028B

▶1:S11 Refl Port1 Log Mag 10.0 dB/ Ref 0.00 dB C
▶2:S21 Fwd Trans Log Mag 10.0 dB/ Ref 0.00 dB C



Center 490.000 MHz

Span 200.000 MHz

1: Mkr (MHz)	dB	2: Mkr (MHz)	dB
1> 490.0000	-26.573	1> 490.0000	-0.831
2: 474.6000	-4.190	2: 474.6000	-3.844
3: 505.8000	-4.751	3: 505.8000	-3.812
4: 430.0000	0.077	4: 430.0000	-43.428
5: 550.0000	-0.073	5: 550.0000	-31.753