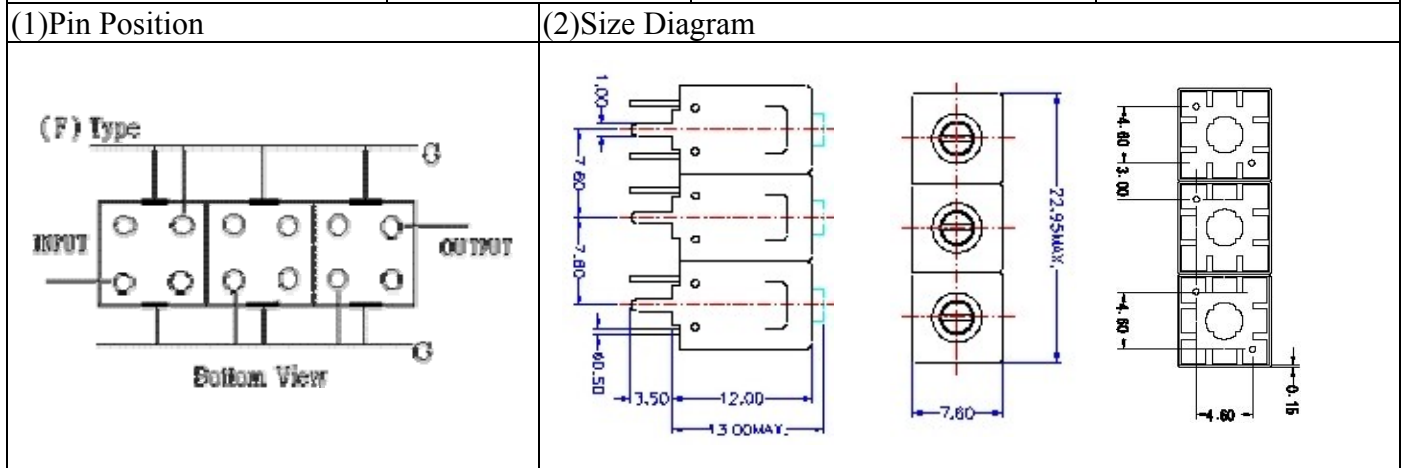


# VHF UHF Helical Filter Specification Sheet

Customer Name		Temwell's Part No.	TT6755F-140M
Approval No. /dated	0806100APR	Acceptable Specifit Fo Range	126~145MHz
Work Instruction No.	0806100CD	Date	Jane.20.2008



(3) Electric Charasteric

Item	Specify	Performance
Center Freq.(Fo) +/- 0.5 %	140 MHz	140 MHz
Insertion Loss	Typ. 5.0 dB	4.19 dB
-3 dB Bandwidth	Typ. 6 MHz	6.7 MHz
Sensitivity (Attenuation)	Fo - 30 MHz	Typ. 60 dBc
	Fo + 30 MHz	Typ. 65 dBc
	Fo - ( )MHz	Typ. dBc
	Fo +( )MHz	Typ. dBc
Return Loss	Min. 12 dB	21.3 dB
Ripple	< 1 dB	
Impedance	In / Out : 50 Ω	In / Out : 50 Ω

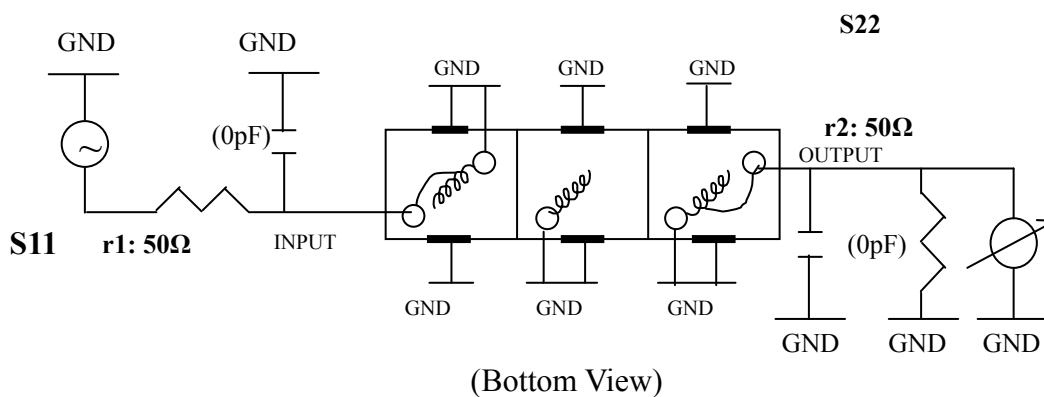
(4) Torque for Tuning Screw > 100gf · cm

(5) Temperature Condition:

Operating Temperature	0°C ~ +60°C
Storage Temperature	-20°C ~ +70°C

(6) Input Power > 1Watt

(7) Measuring Circuit: ※Easy to match Impedance S11/S22 50Ω by parallel with about( 0pF) / (0pF).

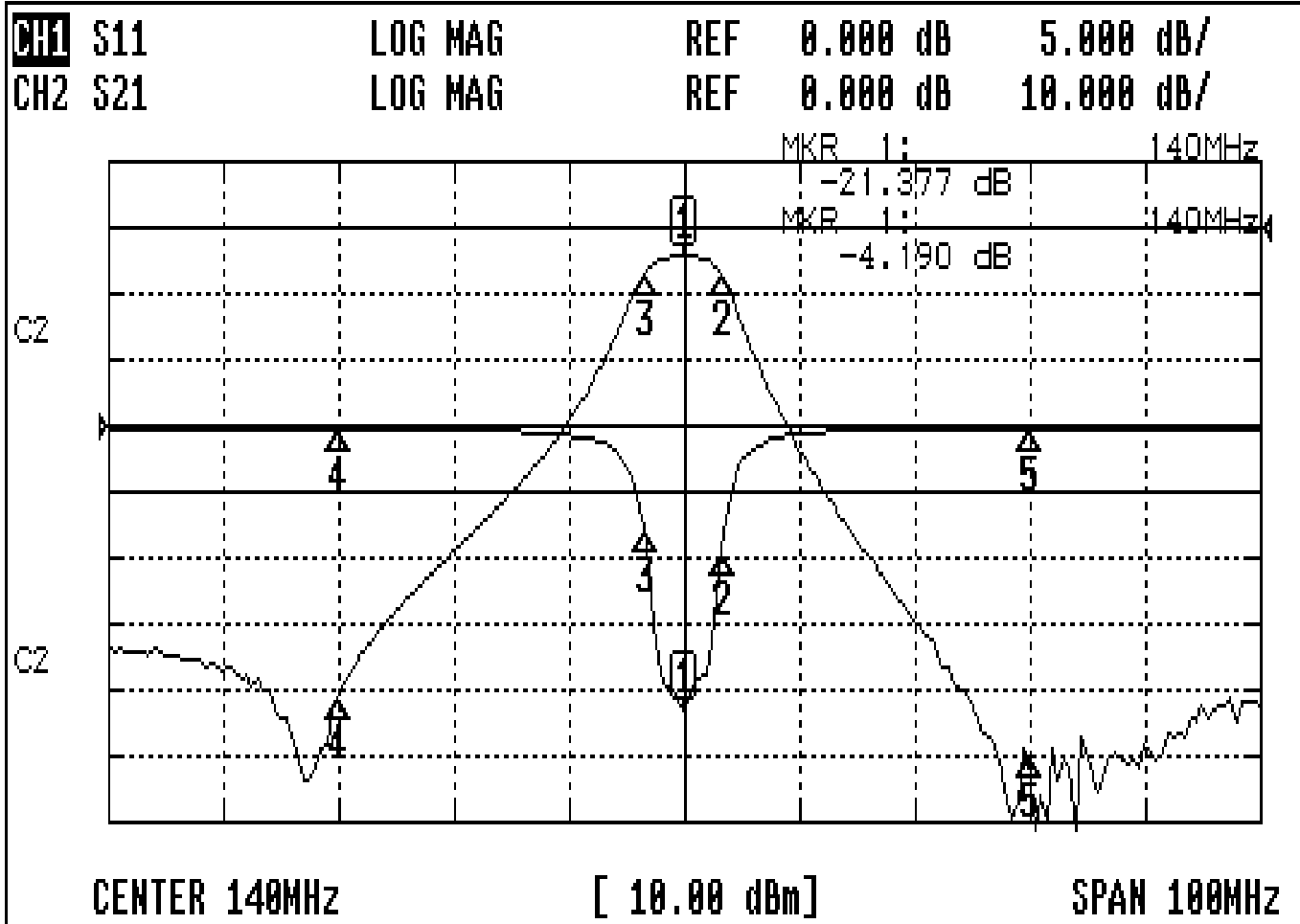


Approval C.Y.Chang	Supervisor C.S.Chang	Designer P.H.Chiang	Aperture size 7H3(4*4.5F) 7H024LB6.5
-----------------------	-------------------------	------------------------	--

TEMWELL CORPORATION

# Performance-TT6755F-140M

## 0806100CD



### CH1 MARKER LIST

1	140.000MHz	-21.377 dB
2	143.250MHz	-9.655 dB
3	136.583MHz	-8.090 dB
4	110.000MHz	-0.260 dB
5	170.000MHz	-0.228 dB

### CH2 MARKER LIST

1	140.000MHz	-4.190 dB
2	143.250MHz	-7.182 dB
3	136.583MHz	-7.129 dB
4	110.000MHz	-71.098 dB
5	170.000MHz	-79.756 dB