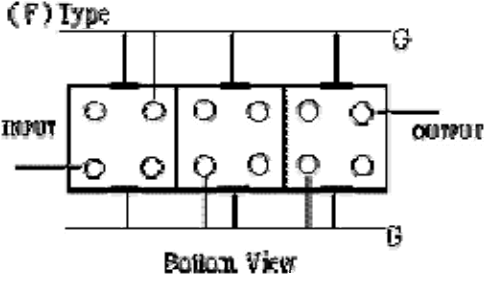
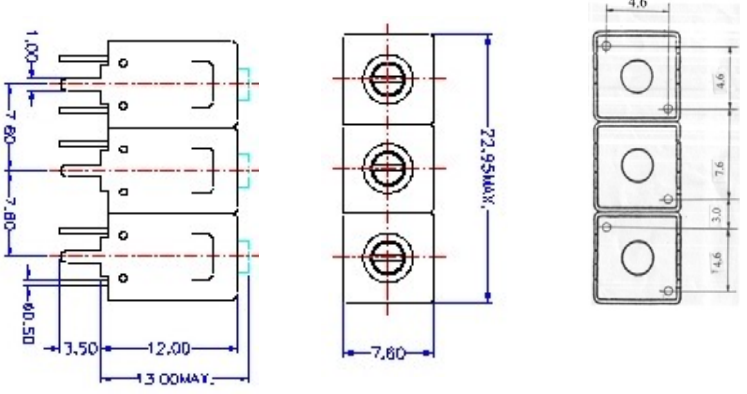


# VHF UHF Helical Filter Specification Sheet

Customer Name		Temwell's Part No.	TT67618F-625M
Approval No. /dated	20301010B	Acceptable Specify Fo. Range	596~640MHz
Work Instruction No.	20301010B	Date	

<p>(1) Pin Position</p>  <p style="text-align: center;">(F) Type Bottom View</p>	<p>(2) Size Diagram</p> 
---	--

(3) Electric Character

Item	Specify	Performance
Center Freq.(Fo ) +/- 0.5 %	625 MHz	625 MHz
Tunable Range	625±3 MHz	625±3 MHz
Insertion Loss	Typ. 1.5 dB	0.7 dB
-3 dB Bandwidth	Typ. 130 MHz	138 MHz
Sensitivity (Attenuation)	Fo -200 MHz	Typ. 34 dBc
	Fo +200 MHz	Typ. 25 dBc
	Fo - ( )MHz	Typ. dBc
	Fo +( )MHz	Typ. dBc
Return Loss	Min. 12 dB	17.6 dB
Ripple	< 1 dB	dB
Impedance	In / Out : 50 Ω	In / Out : 50 Ω
(4) Torque for Tuning Screw	> 100gf • cm	

(5) Temperature Condition:

Operating Temperature	0°C ~ +60°C
Storage Temperature	-20°C ~ +70°C
(6) Input Power	> 1Watt

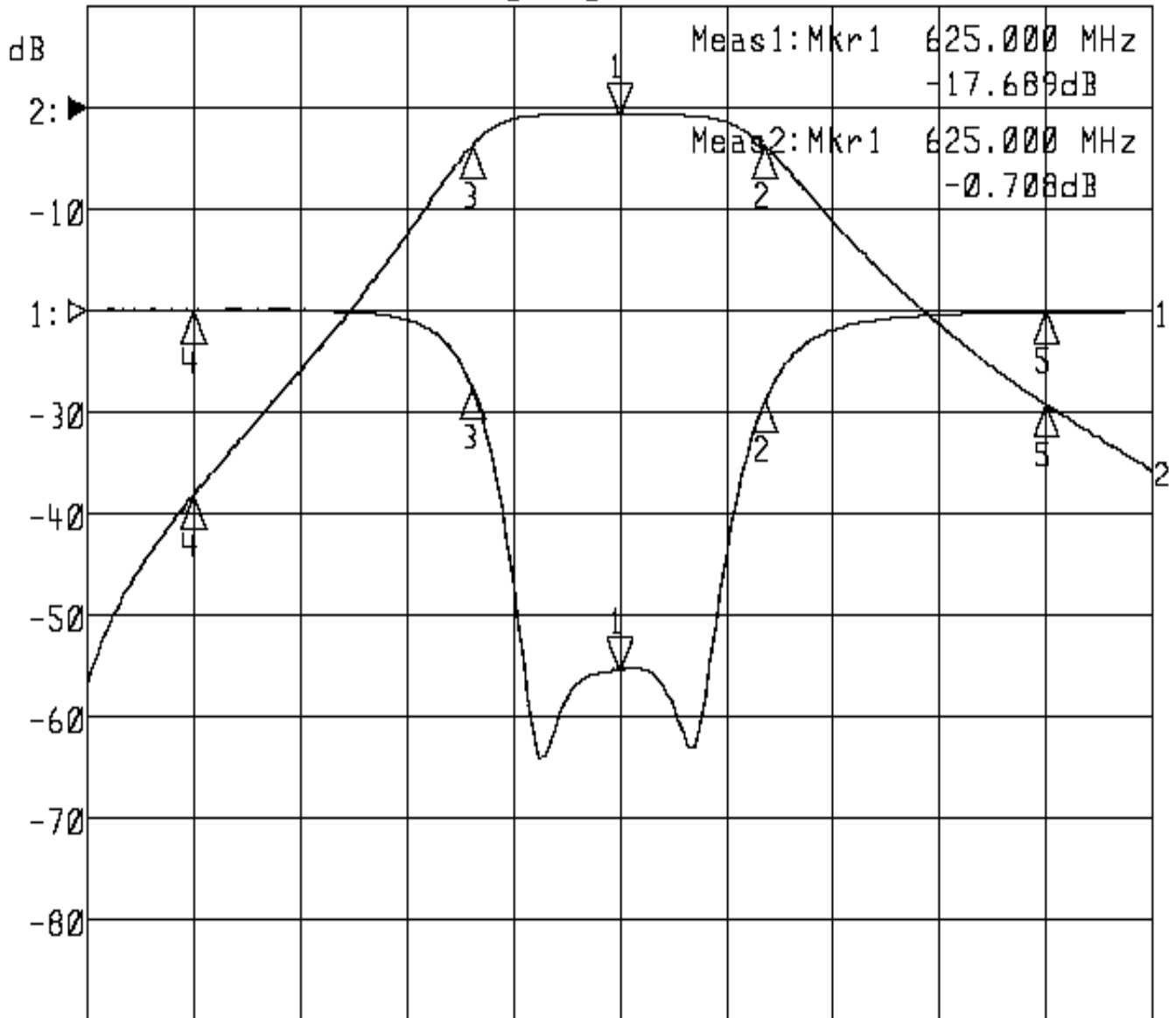
Approval	Supervisor	Designer	Aperture size
C.Y.Chang	C.S.Chang	C.S.Chang	7H3S(4*6.5)F 7H046RB6.5

TEMWELL CORPORATION

# Performance-TT67618F-625M

## 20301010B

►1:S11 Refl Port1 Log Mag 5.0 dB/ Ref 0.00 dB C  
►2:S21 Fwd Trans Log Mag 10.0 dB/ Ref 0.00 dB C



Center 625.000 MHz

Span 500.000 MHz

1:Mkr (MHz)	dB	2:Mkr (MHz)	dB
1> 625.0000	-17.689	1> 625.0000	-0.708
2: 693.3333	-4.425	2: 693.3333	-3.782
3: 555.6667	-3.744	3: 555.6667	-3.746
4: 425.0000	0.042	4: 425.0000	-38.138
5: 825.0000	-0.054	5: 825.0000	-29.183