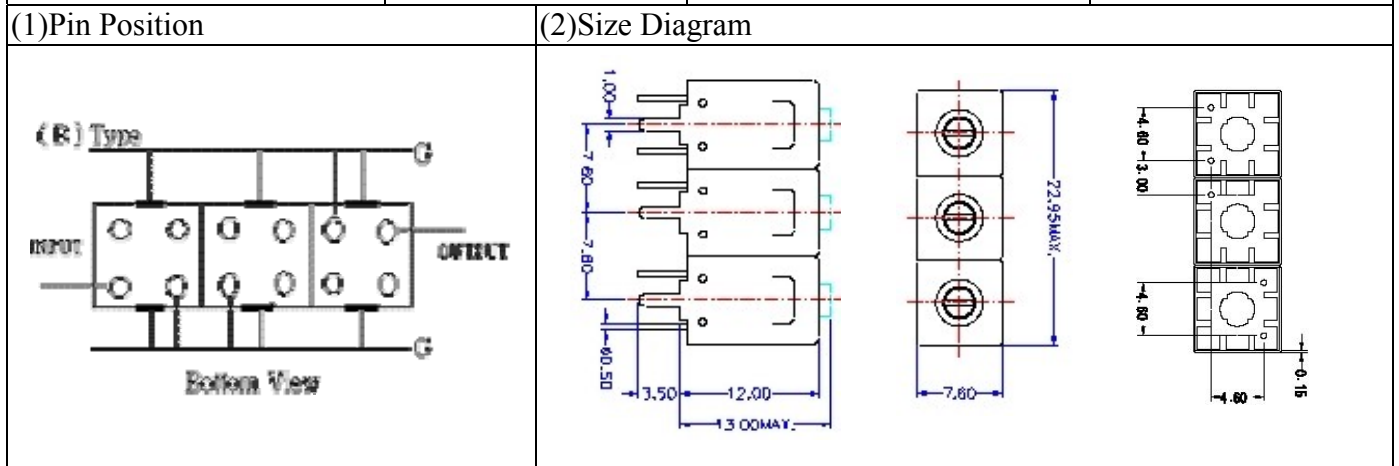


# VHF UHF Helical Filter Specification Sheet

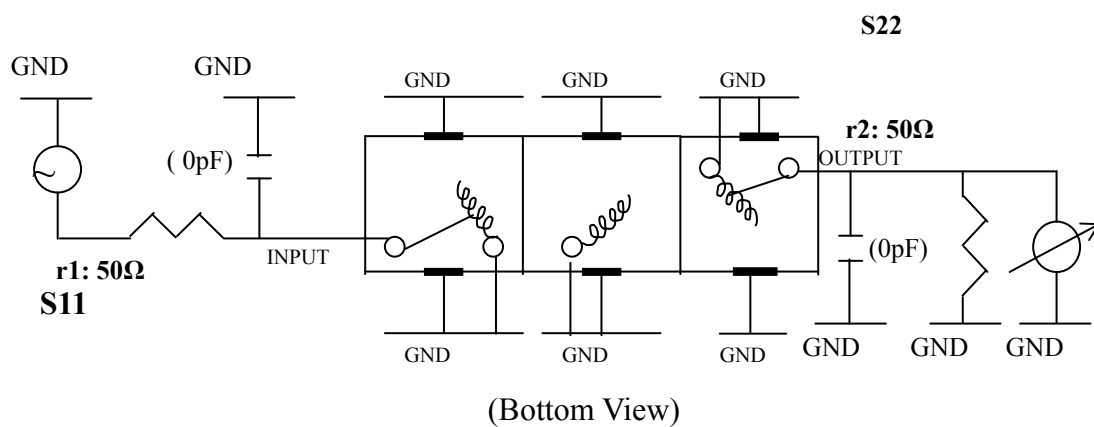
Customer Name		Temwell's Part No.	TT6761B-220M
Approval No. /dated	1001049CD	Temwell's Print name.	6761B 220M
Work Instruction No.	201001049CD	Date	Mar.19.2010



### (3) Electric Characteristic

Item	Specify	Performance	
Center Freq.(Fo) +/- 0.75 %	220 MHz	220 MHz	
Insertion Loss	Typ. 3.0 dB	1.71 dB	
-3 dB Bandwidth	Typ. 11 MHz	12.7 MHz	
Sensitivity (Attenuation)	Fo - ( 20 ) MHz	Typ. 25 dBc	32 dBc
	Fo + ( 20 ) MHz	Typ. 20 dBc	24 dBc
	Fo - ( ) MHz	Typ. dBc	dBc
	Fo + ( ) MHz	Typ. dBc	dBc
Return Loss	Min. 12 dB	31.3 dB	
Ripple	< 1 dB	dB	
Impedance	In / Out : 50 Ω	In / Out : 50 Ω	
(4) Torque for Tuning Screw	> 100gf · cm		
(5) Temperature Condition:			
Operating Temperature	-30°C ~ +70°C		
Storage Temperature	-30°C ~ +80°C		
(6) Input Power	> 1Watt		

(7) Measuring Circuit: ※Easy to match Impedance S11/S22 50Ω by parallel with about(0pF) / (0pF).



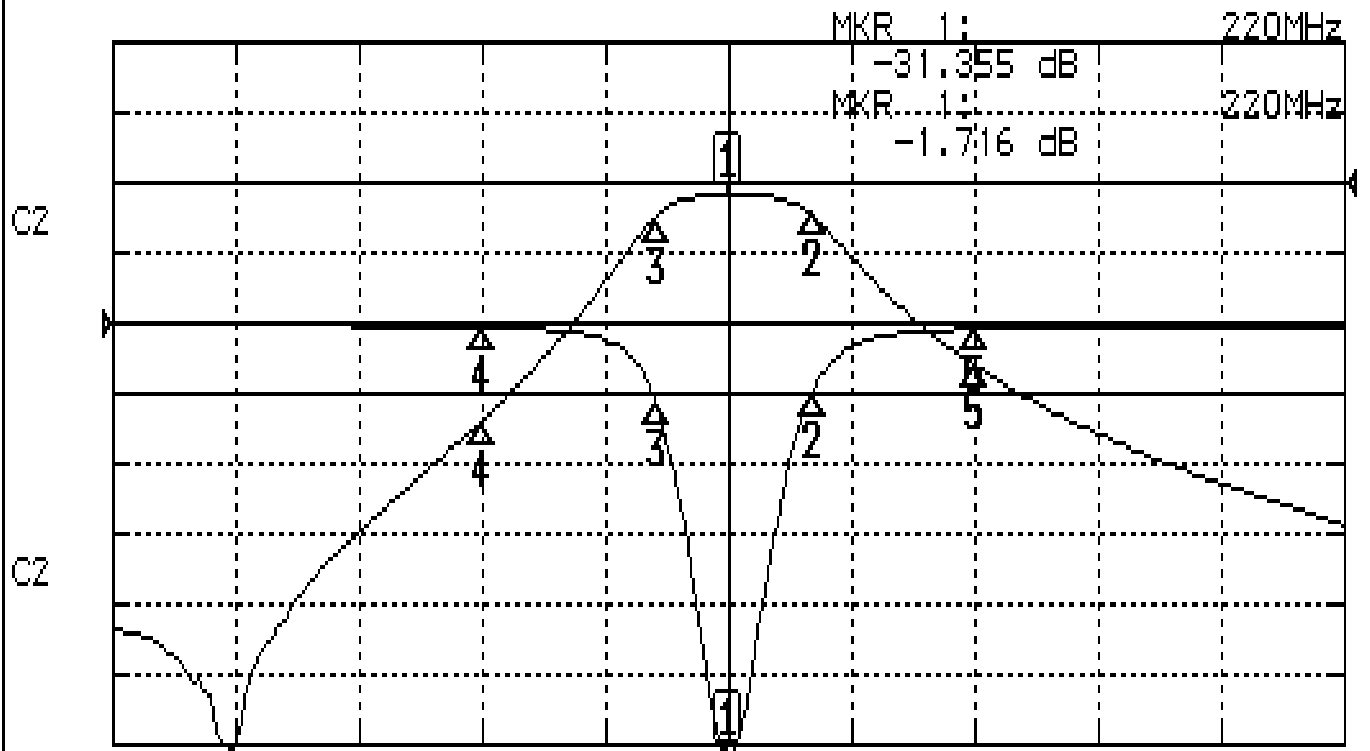
Approval C.Y.Chang	Supervisor C.K.Chang	Designer J.F.Lin	Aperture size 7H3(4*6.5)(6.55) 7H024RB4
-----------------------	-------------------------	---------------------	---

TEMWELL CORPORATION

# Performance-TT6761B-220M

## 201001049CD

**CH1** S11      LOG MAG      REF 0.000 dB      5.000 dB/  
**CH2** S21      LOG MAG      REF 0.000 dB      10.000 dB/



CENTER 220MHz

[ 10.00 dBm ]

SPAN 100MHz

### CH1 MARKER LIST

1	220.000MHz	-31.355	dB
2	226.833MHz	-4.953	dB
3	214.166MHz	-5.666	dB
4	200.000MHz	-0.260	dB
5	240.000MHz	-0.386	dB

### CH2 MARKER LIST

1	220.000MHz	-1.716	dB
2	226.833MHz	-4.718	dB
3	214.166MHz	-4.733	dB
4	200.000MHz	-33.877	dB
5	240.000MHz	-26.037	dB