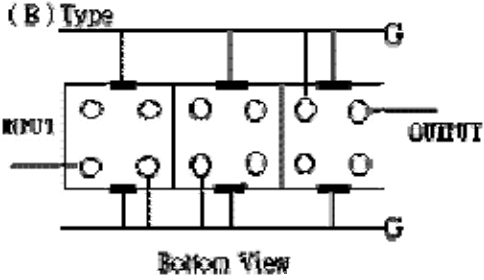
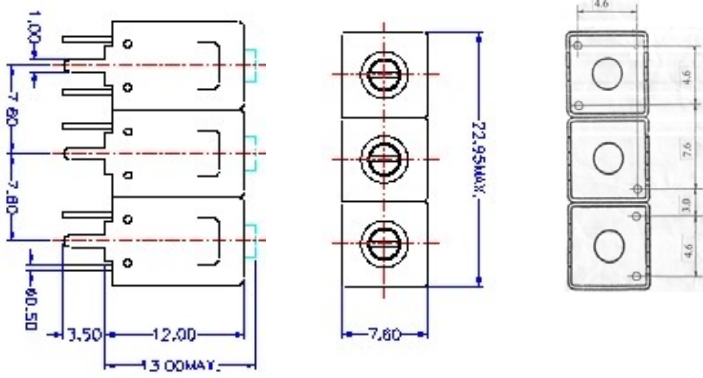


VHF UHF Helical Filter Specification Sheet

Customer Name		Temwell's Part No.	TT67626B-64M
Approval No. /dated	20302057DB	Acceptable Specify Fo. Range	56~67MHz
Work Instruction No.	20302057DB	Date	

(1)Pin Position	(2)Size Diagram
	

(3)Electric Character			
Item	Specify	Performance	
Center Freq.(Fo) +/- 0.5 %	64 MHz	64 MHz	
Tunable Range	64±2 MHz	64±2 MHz	
Insertion Loss	Typ. 4.0 dB	3.0 dB	
-3 dB Bandwidth	Typ. 4 MHz	5 MHz	
Sensitivity (Attenuation)	Fo -10 MHz	Typ. 28 dBc	30 dBc
	Fo +10 MHz	Typ. 31 dBc	33 dBc
	Fo - ()MHz	Typ. dBc	dBc
	Fo +()MHz	Typ. dBc	dBc
Return Loss	Min. 12 dB	32 dB	
Ripple	< 1 dB	dB	
Impedance	In / Out : 50 Ω	In / Out : 50 Ω	

(4)Torque for Tuning Screw	> 100gf • cm
----------------------------	--------------

(5)Temperature Condition:	
Operating Temperature	0°C ~ +60°C
Storage Temperature	-20°C ~ +70°C

(6)Input Power	> 1Watt
----------------	---------

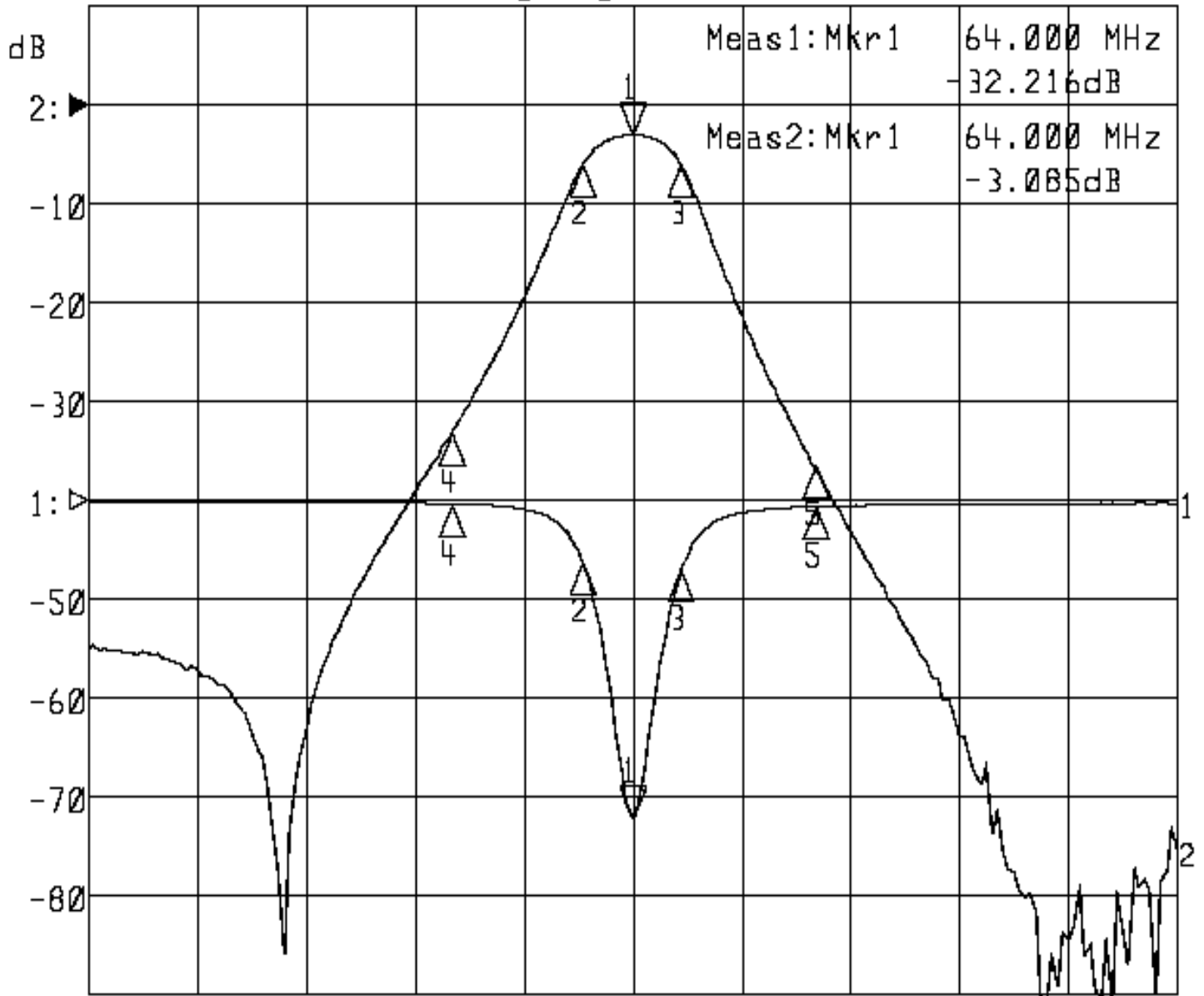
Approval	Supervisor	Designer	Aperture size
C.Y.Chang	C.S.Chang	C.S.Chang	7H3S(4*5.5)F 7H00LB6

TEMWELL CORPORATION

Performance-TT67626B-64M

20302057DB

▶1:S11 Refl Port1 Log Mag 10.0 dB/ Ref 0.00 dB C
▶2:S21 Fwd Trans Log Mag 10.0 dB/ Ref 0.00 dB C



Center 64.000 MHz

Span 60.000 MHz

1: Mkr (MHz)	dB	2: Mkr (MHz)	dB
1> 64.0000	-32.216	1> 64.0000	-3.085
2: 61.2600	-6.334	2: 61.2600	-6.034
3: 66.6800	-7.087	3: 66.6800	-6.090
4: 54.0000	-0.393	4: 54.0000	-33.214
5: 74.0000	-0.641	5: 74.0000	-36.563