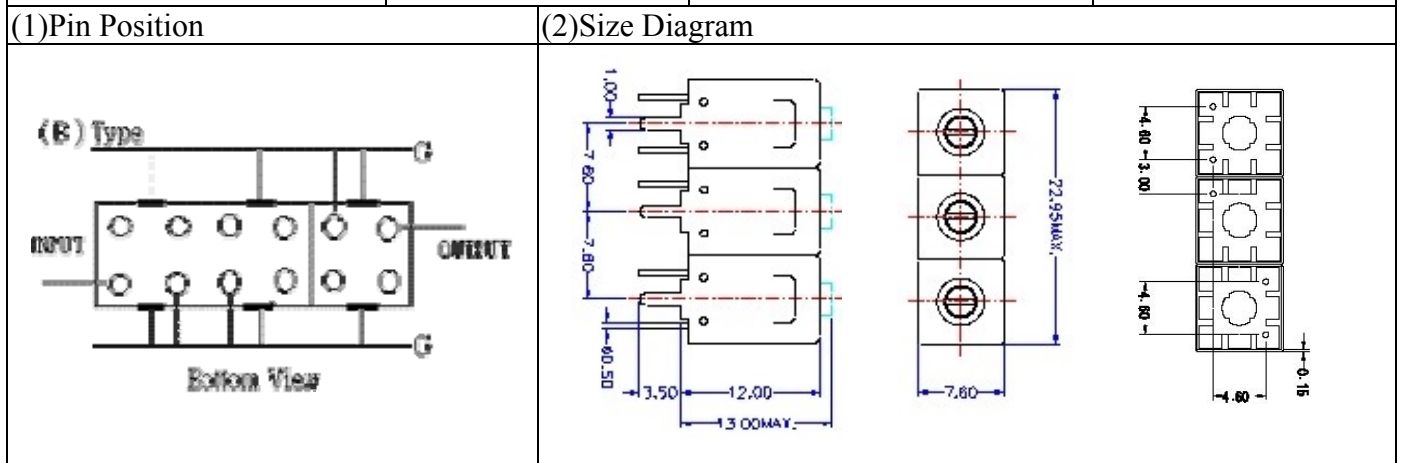


VHF UHF Helical Filter Specification Sheet

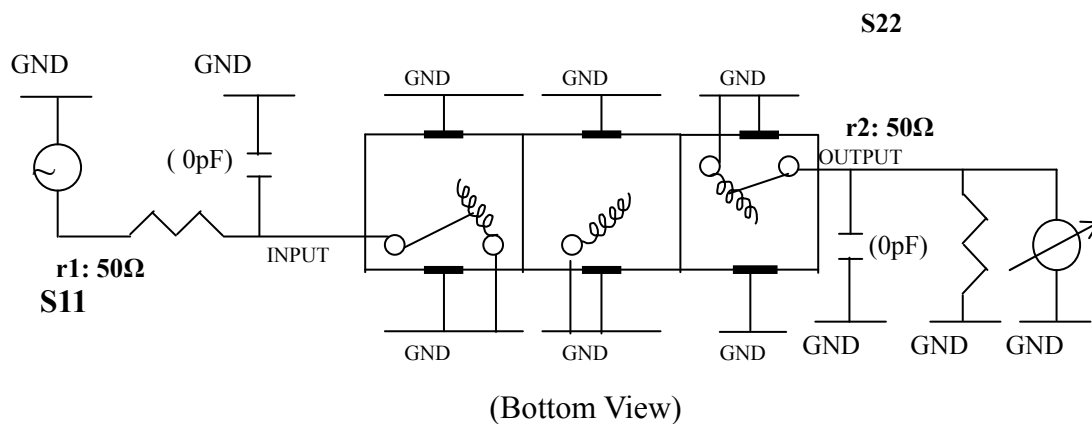
Customer Name		Temwell's Part No.	TT6762B-230M
Approval No. /dated	0801056APR	Customer's Print Name.	221~245M
Work Instruction No.	0801056BD	Date	Jan.21.2008



(3) Electric Charasteric

Item	Specify	Performance	
Center Freq.(Fo) +/- 0.75 %	230 MHz	230 MHz	
Tunable Range:	230±4 MHz	230±4 MHz	
Insertion Loss	Typ. 3.0 dB	2.04 dB	
-3 dB Bandwidth	Typ. 9 MHz	11.1 MHz	
Sensitivity (Attenuation)	Fo - 20 MHz	Typ. 35 dBc	36 dBc
	Fo + 20 MHz	Typ. 30 dBc	32 dBc
	Fo - ()MHz	Typ. dBc	dBc
	Fo +()MHz	Typ. dBc	dBc
Return Loss	Min. 12 dB	34.8 dB	
Ripple	< 1 dB	dB	
Impedance	In / Out : 50 Ω	In / Out : 50 Ω	
(4) Torque for Tuning Screw	> 100gf · cm		
(5) Temperature Condition:			
Operating Temperature	-30°C ~ +70°C		
Storage Temperature	-30°C ~ +80°C		
(6) Input Power	> 1Watt		

(7) Measuring Circuit: ※Easy to match Impedance S11/S22 50Ωby parallel with about(0pF) / (0pF).



Approval C.Y.Chang	Supervisor C.S.Chang	Designer C.S.Chang	Aperture size 7H3(4*5.5)F 7H024LB4
-----------------------	-------------------------	-----------------------	--

TEMWELL CORPORATION

TEMWELL

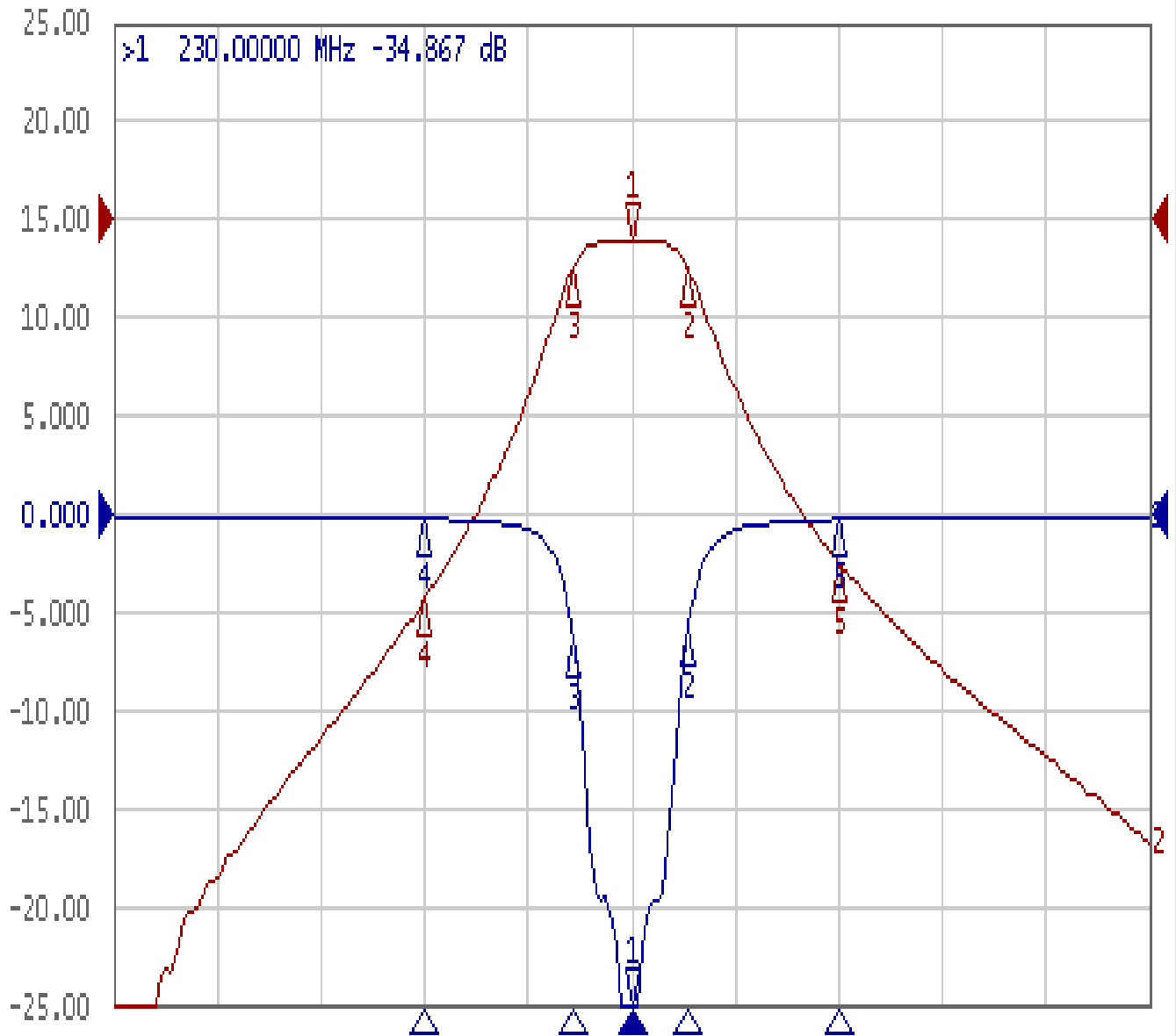
Form10-7H3B Vision D

RP (C.S.Chang)

Performance-TT6762B-230M

0801056BD

▶ Tr1 S11 Log Mag 5.000dB/ Ref 0.000dB [F2]
Tr2 S21 Log Mag 10.00dB/ Ref 0.000dB [F2]



1 Center 230 MHz

IFBW 10 kHz

Span 100 MHz Cor !

Ch1	Tr1	S11	>1	230.00000	MHz	-34.867	dB
Ch1	Tr1	S11	2	235.44000	MHz	-5.7696	dB
Ch1	Tr1	S11	3	224.34100	MHz	-6.3701	dB
Ch1	Tr1	S11	4	210.00000	MHz	-0.2524	dB
Ch1	Tr1	S11	5	250.00000	MHz	-0.2725	dB
Ch1	Tr2	S21	1	230.00000	MHz	-2.0420	dB
Ch1	Tr2	S21	2	235.44000	MHz	-5.0327	dB
Ch1	Tr2	S21	3	224.34100	MHz	-5.0020	dB
Ch1	Tr2	S21	4	210.00000	MHz	-38.677	dB
Ch1	Tr2	S21	5	250.00000	MHz	-34.989	dB