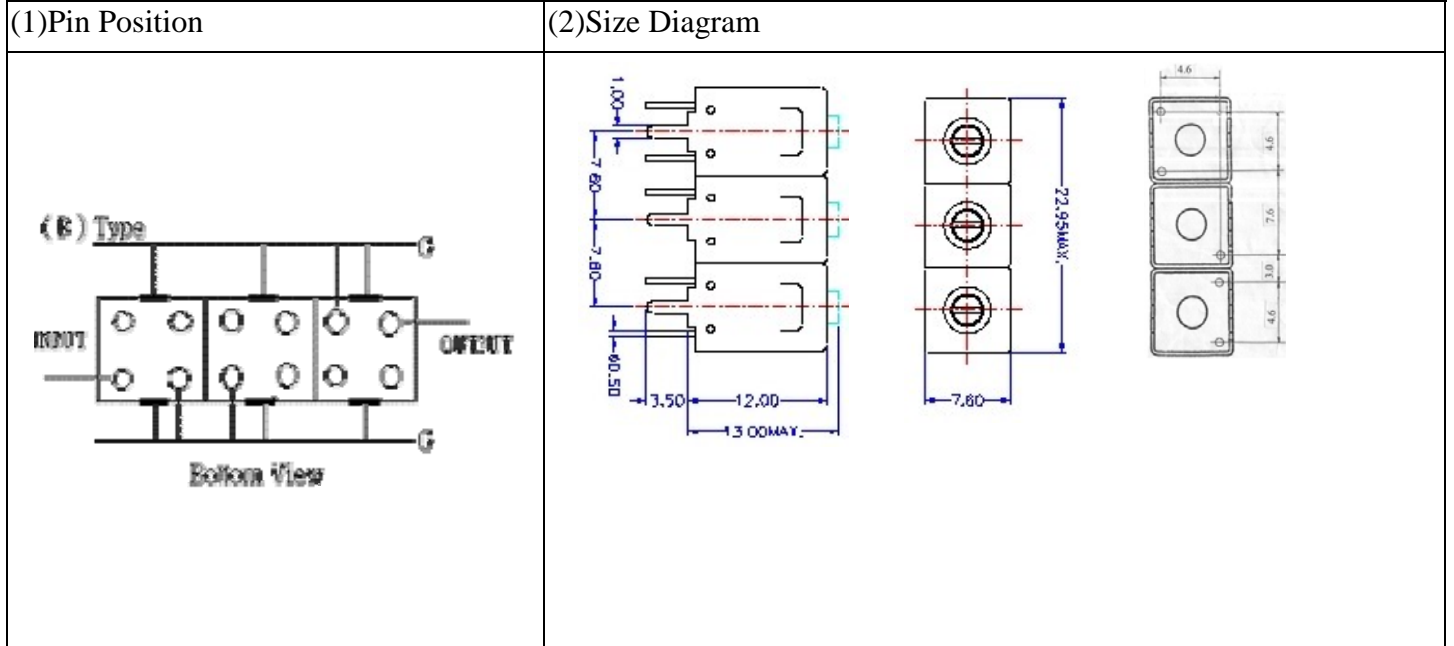


VHF UHF Helical Filter Specification Sheet

Customer Name		Temwell's Part No.	TT67631B-457M
Approval No. /dated	20308018DC	Acceptable Specify Fo Range	456~515MHz
Work Instruction No.	20308018DC	Date	



(3) Electric Characteristic			
Item	Specify	Performance	
Center Freq.(Fo) +/- 0.5 %	457 MHz	457 MHz	
Tunable Range:	457±3 MHz	457±3 MHz	
Insertion Loss	Typ. 2.0 dB	1.1 dB	
-3 dB Bandwidth	Typ. 33 MHz	36 MHz	
Sensitivity (Attenuation)	Fo - 50 MHz	Typ. 26 dBc	28 dBc
	Fo + 50 MHz	Typ. 24 dBc	26 dBc
	Fo - ()MHz	Typ. dBc	dBc
	Fo +()MHz	Typ. dBc	dBc
Return Loss	Min. 12 dB	22.3 dB	
Ripple	< 1 dB	dB	
Impedance	In / Out : 50 Ω	In / Out : 50 Ω	
(4) Torque for Tuning Screw			
> 100gf • cm			
(5) Temperature Condition:			
Operating Temperature		0°C ~ +60°C	
Storage Temperature		-20°C ~ +70°C	
(6) Input Power			
> 1Watt			
Approval	Supervisor	Designer	Aperture size
C.Y.Chang	C.S.Chang	C.S.Chang	7H3S(4*5.5)F 7H046LB5

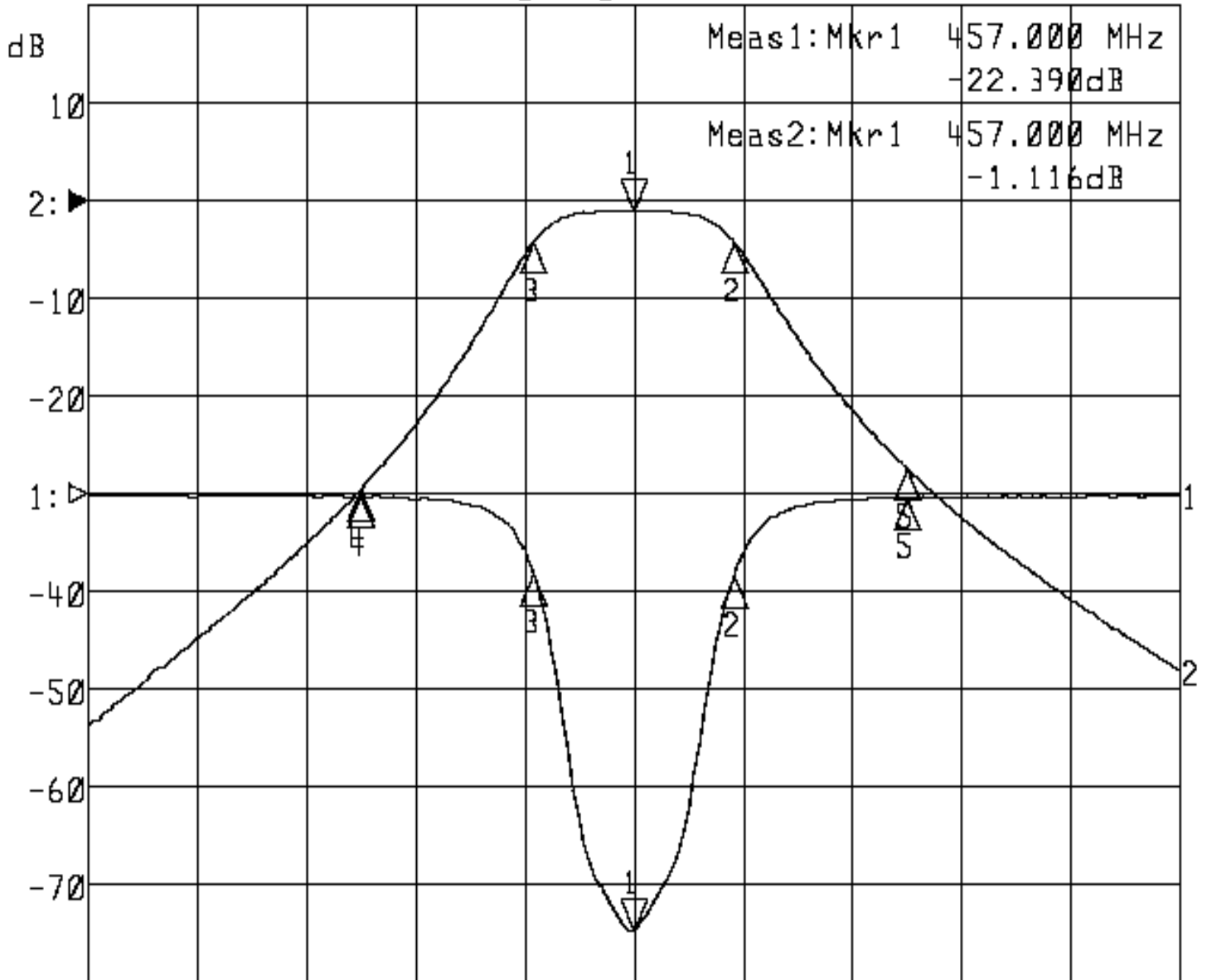
TEMWELL CORPORATION

Performance-TT67631B-457M

20308018DC

▶1:S11 Refl Port1 Log Mag 5.0 dB/ Ref 0.00 dB C

▶2:S21 Fwd Trans Log Mag 10.0 dB/ Ref 0.00 dB C



Center 457.000 MHz

Span 200.000 MHz

1: Mkr (MHz)	dB	2: Mkr (MHz)	dB
1> 457.0000	-22.390	1> 457.0000	-1.116
2: 475.2333	-4.248	2: 475.2333	-4.158
3: 438.8000	-4.185	3: 438.8000	-4.130
4: 407.0000	-0.180	4: 407.0000	-29.595
5: 507.0000	-0.231	5: 507.0000	-27.494