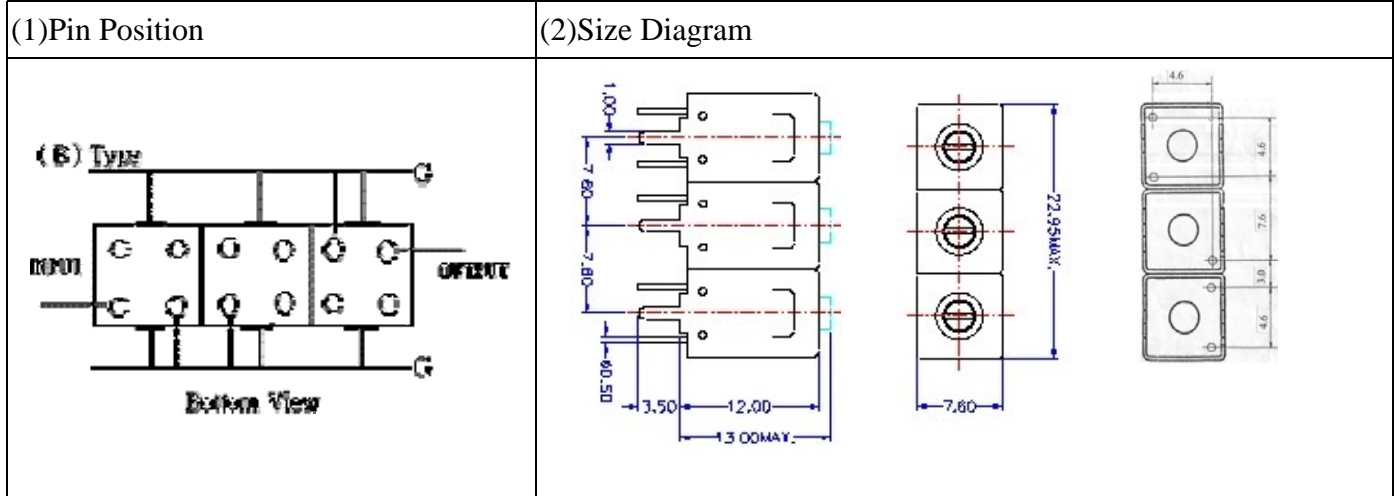


# VHF UHF Helical Filter Specification Sheet

Customer Name		Temwell's Part No.	TT67639B-900M
Approval No. /dated	20409050DB	Acceptable Specify Fo. Range	861~900MHz
Work Instruction No.	20409050DB	Date	Sep.22.2004



(3) Electric Character

Item	Specify	Performance	
Center Freq.(Fo ) +/- 0.5 %	900 MHz	900 MHz	
Tunable Range	900±5 MHz	900±15 MHz	
Insertion Loss	Typ. 2.0 dB	1.0 dB	
-1 dB Bandwidth	Typ. 107 MHz	116 MHz	
-3 dB Bandwidth	Typ. 110 MHz	120 MHz	
Sensitivity (Attenuation)	Fo - 150 MHz	Typ. 33 dBc	36 dBc
	Fo + 150 MHz	Typ. 14 dBc	17 dBc
	Fo - ( )MHz	Typ. dBc	dBc
	Fo +( )MHz	Typ. dBc	dBc
Return Loss	Min. 12 dB	25.1 dB	
Ripple	< 1 dB	dB	
Impedance	In / Out : 50 Ω	In / Out : 50 Ω	

(4) Torque for Tuning Screw > 100gf · cm

(5) Temperature Condition:

Operating Temperature	0°C ~ +60°C
Storage Temperature	-20°C ~ +70°C

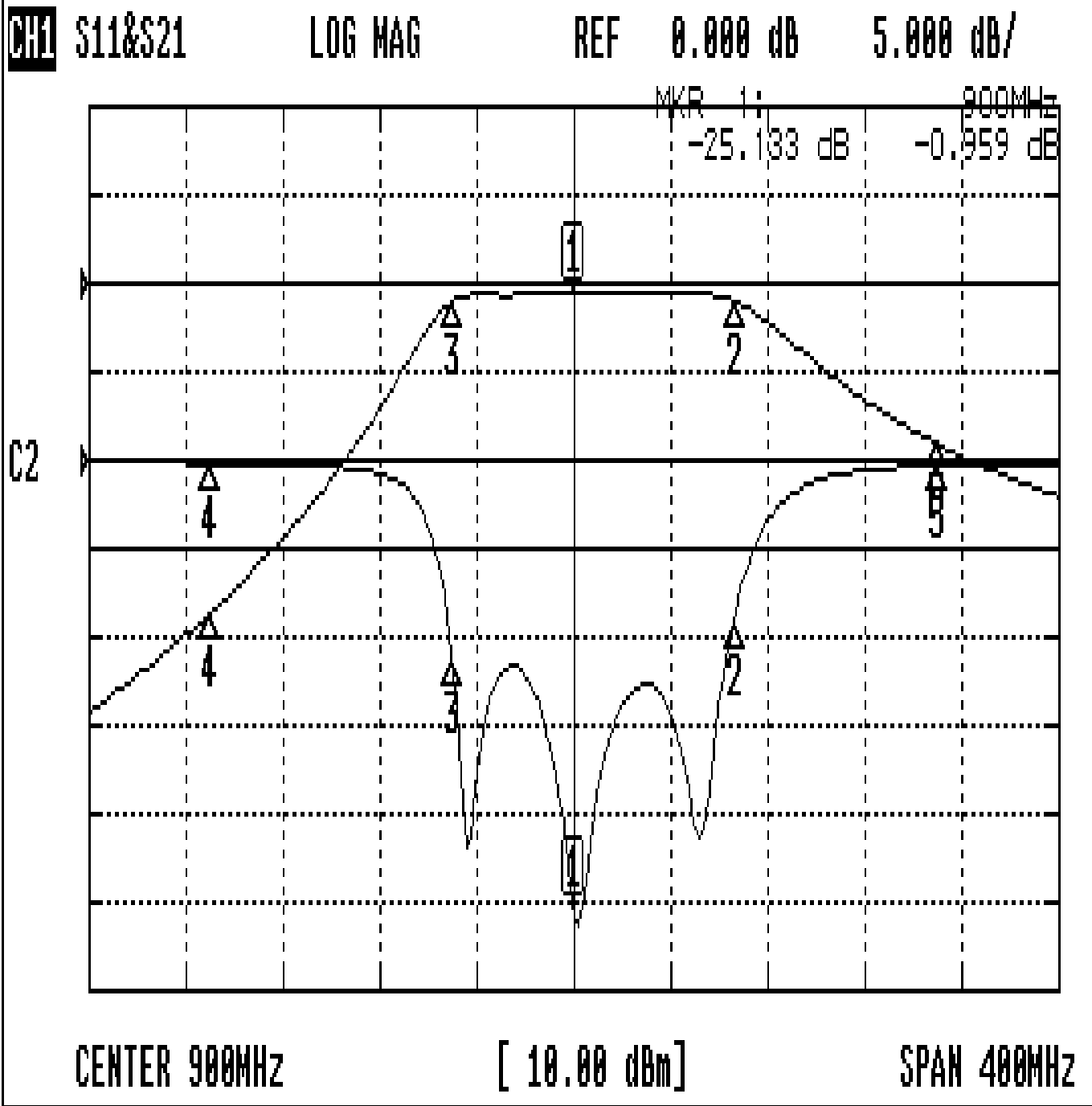
(6) Input Power > 1Watt

Approval	Supervisor	Designer	Aperture size
C.Y.Chang	C.S.Chang	C.S.Chang	7H3S(4*5.5)(5.64) 7H046RB6.5

TEMWELL CORPORATION

# Performance-TT67639B-900M

## 20409050DB



### CH1 MARKER LIST

1:	900.000MHz	-25.133 dB	-0.959 dB
2:	966.000MHz	-9.105 dB	-1.989 dB
3:	850.333MHz	-11.542 dB	-1.923 dB
4:	750.000MHz	-0.142 dB	-37.213 dB
5:	1.050 000GHz	-0.300 dB	-18.118 dB