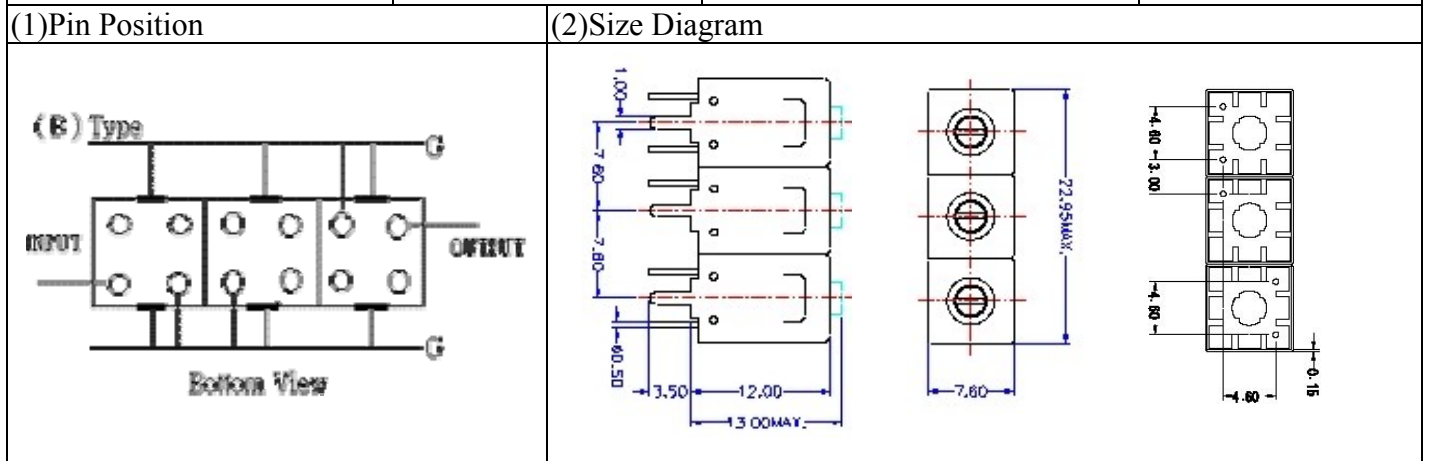


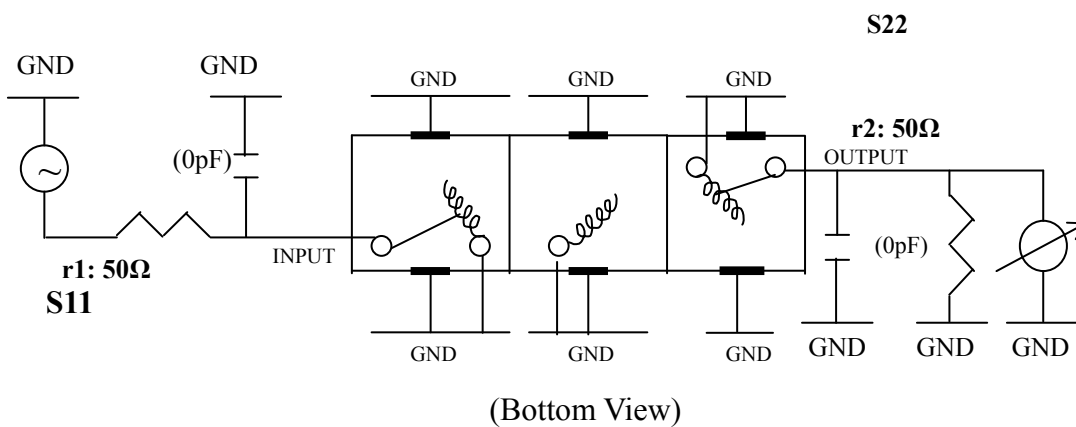
VHF UHF Helical Filter Specification Sheet

| | | | |
|----------------------|----------|------------------------------|----------------|
| Customer Name | | Temwell's Part No. | TT6763B-226.5M |
| Approval No. /dated | 0703137B | Acceptable Specify Fo. Range | 221~245M |
| Work Instruction No. | 0703137B | Date | Mar.12.2007 |



| (3) Electric Character | | | |
|------------------------------|-----------------|-----------------|--------|
| Item | Specify | Performance | |
| Center Freq.(Fo) +/- 0.75 % | 226.5 MHz | 226.5 MHz | |
| Tunable Range: | 226.5±4 MHz | 226.5±4 MHz | |
| Insertion Loss | Typ. 3 dB | 1.85 dB | |
| -3 dB Bandwidth | Typ. 12 MHz | 14.5 MHz | |
| Sensitivity (Attenuation) | Fo - 20 MHz | Typ. 28 dBc | 32 dBc |
| | Fo + 20 MHz | Typ. 25 dBc | 28 dBc |
| | Fo - ()MHz | Typ. dBc | dBc |
| | Fo +()MHz | Typ. dBc | dBc |
| Return Loss | Min. 12 dB | 24.5 dB | |
| Ripple | < 1 dB | dB | |
| Impedance | In / Out : 50 Ω | In / Out : 50 Ω | |
| (4) Torque for Tuning Screw | > 100gf • cm | | |
| (5) Temperature Condition: | | | |
| Operating Temperature | -30°C ~ +70°C | | |
| Storage Temperature | -30°C ~ +80°C | | |
| (6) Input Power | > 1Watt | | |

(7) Measuring Circuit: ※Easy to match Impedance S11/S22 50Ω by parallel with about(0pF) / (0pF).



| | | | |
|-----------------------|-------------------------|---------------------|--|
| Approval C.Y.Chang | Supervisor C.S.Chang | Designer J.F.Lin | Aperture size 7H3S(4*6.5) 7H024LB4 |
|-----------------------|-------------------------|---------------------|--|

TEMWELL CORPORATION

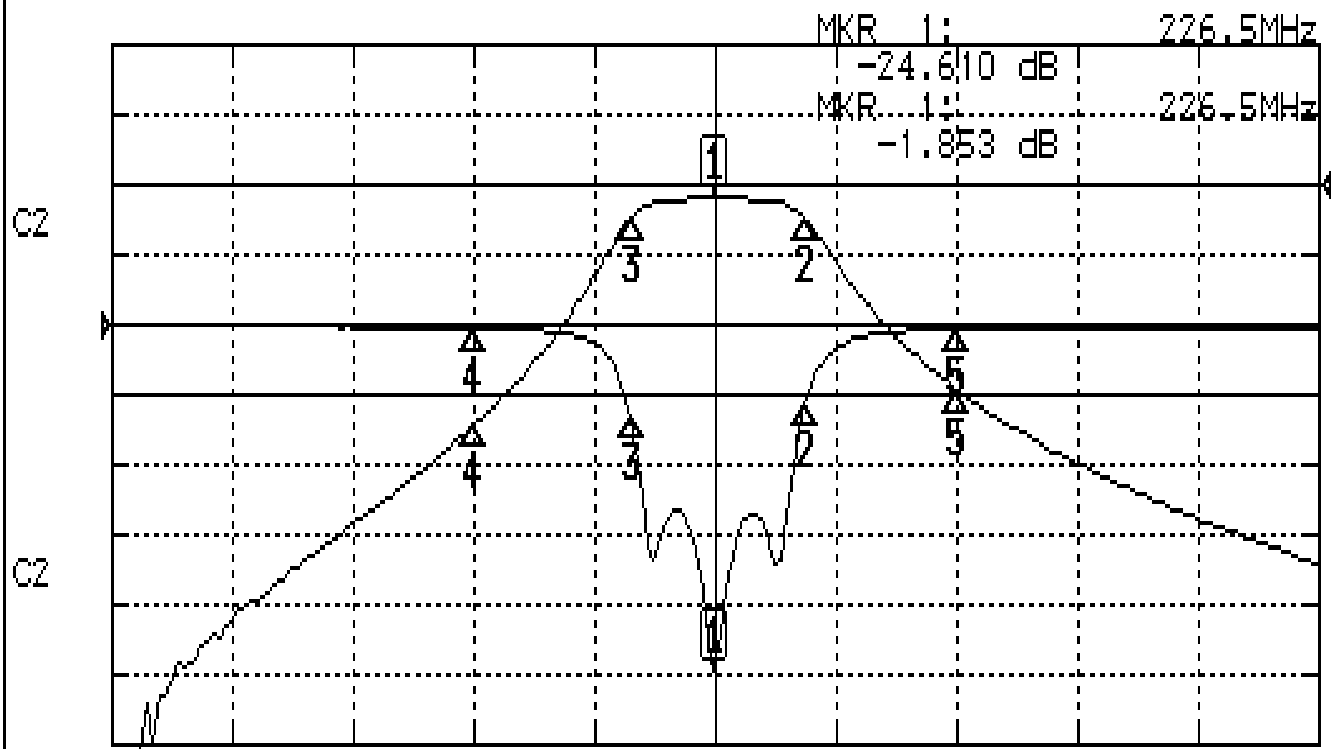
TEMWELL

Form10-7H3B Vision D

Performance-TT6763B-226.5M

0703137B

CH1 S11 LOG MAG REF 0.000 dB 5.000 dB/
CH2 S21 LOG MAG REF 0.000 dB 10.000 dB/



CENTER 226.5MHz

[10.00 dBm]

SPAN 100MHz

CH1 MARKER LIST

| | | |
|---|------------|------------|
| 1 | 226.500MHz | -24.575 dB |
| 2 | 234.000MHz | -5.732 dB |
| 3 | 219.500MHz | -6.395 dB |
| 4 | 206.500MHz | -0.235 dB |
| 5 | 246.500MHz | -0.303 dB |

CH2 MARKER LIST

| | | |
|---|------------|------------|
| 1 | 226.500MHz | -1.853 dB |
| 2 | 234.000MHz | -4.826 dB |
| 3 | 219.500MHz | -4.760 dB |
| 4 | 206.500MHz | -34.387 dB |
| 5 | 246.500MHz | -29.152 dB |