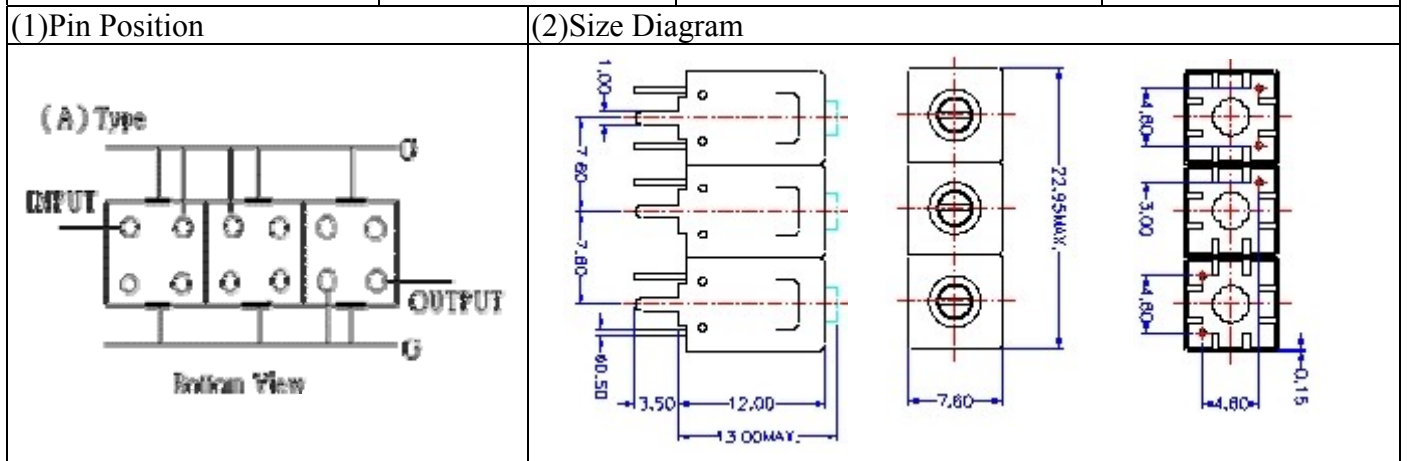
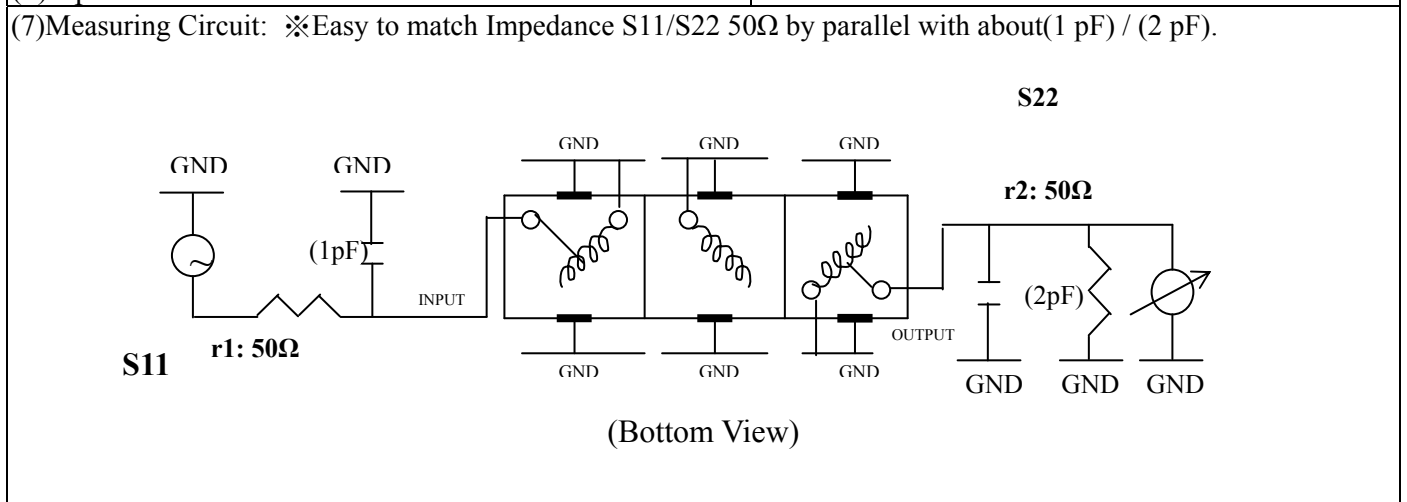


VHF UHF Helical Filter Specification Sheet

Customer Name		Temwell's Part No.	TT67648A-793M
Approval No. /dated	20411042B	Acceptable Specify Fo Range	751~800MHz
Work Instruction No.	20411042B	Date	Nov.08.2004



Item		Specify	Performance
Center Freq.(Fo) +/- 0.5 %		793 MHz	793 MHz
Tunable Range:		793±5 MHz	793±5 MHz
Insertion Loss		Typ. 3.0 dB	1.75 dB
-3 dB Bandwidth		Typ. 25 MHz	32 MHz
Sensitivity (Attenuation)	Fo - 100 MHz	Typ. 49 dBc	52 dBc
	Fo + 100 MHz	Typ. 33 dBc	36 dBc
	Fo - ()MHz	Typ. dBc	dBc
	Fo +()MHz	Typ. dBc	dBc
Return Loss		Min. 12 dB	22.5 dB
Ripple		< 1 dB	dB
Impedance		In / Out : 50 Ω	In / Out : 50 Ω
(4) Torque for Tuning Screw		> 100gf · cm	
(5) Temperature Condition:			
Operating Temperature		0°C ~ +60°C	
Storage Temperature		-20°C ~ +70°C	
(6) Input Power		> 1Watt	

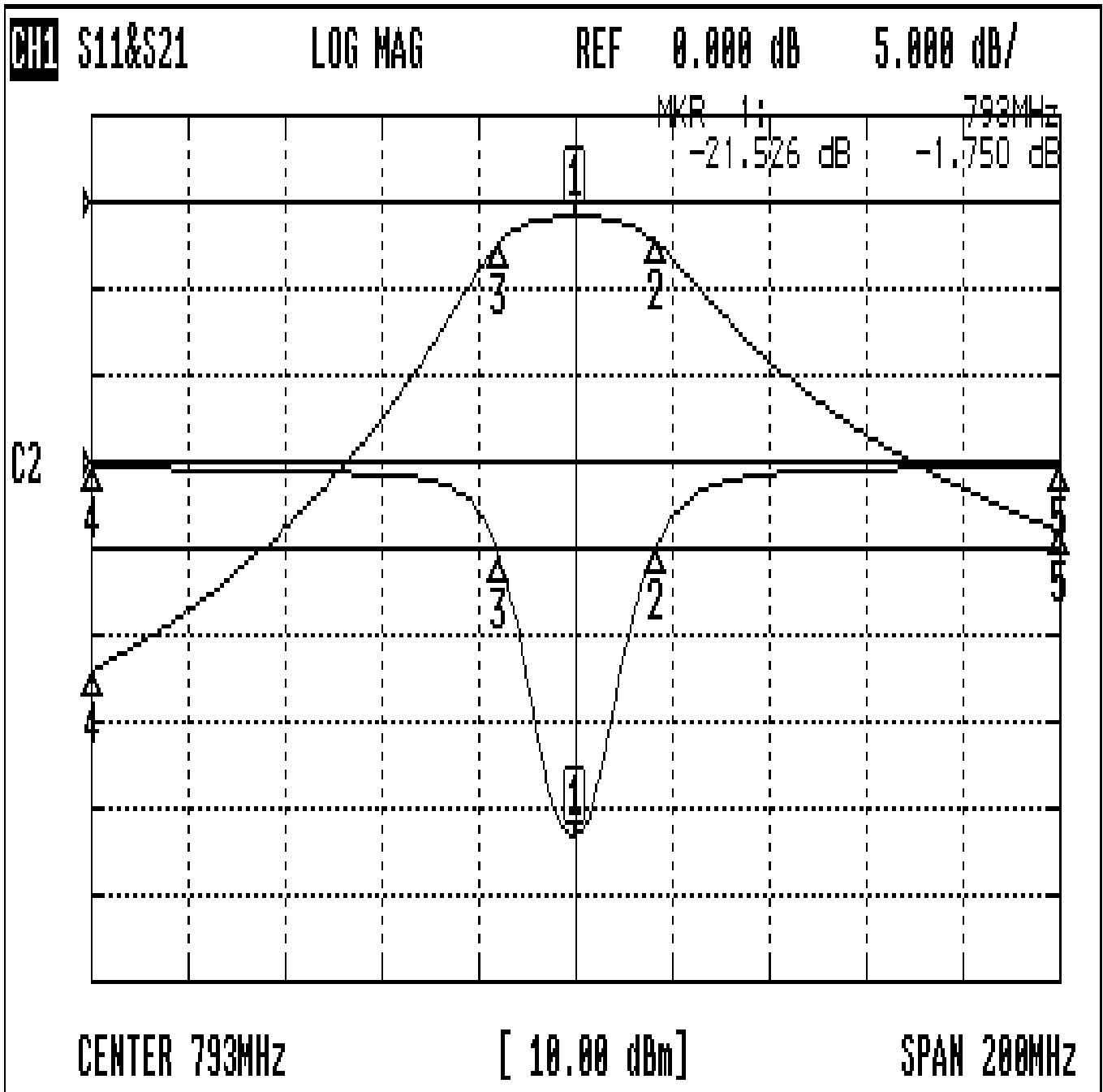


Approval C.Y.Chang	Supervisor C.S.Chang	Designer C.S.Chang	Aperture size 7H3S(4*6.5)(4*6.6) 7H046LB4 聚 3
-----------------------	-------------------------	-----------------------	---

TEMWELL CORPORATION

Performance-TT67648A-793M

20411042B



CH1 MARKER LIST

1:	793.000MHz	-21.526 dB	-1.750 dB
2:	809.666MHz	-4.903 dB	-4.721 dB
3:	777.333MHz	-5.420 dB	-4.763 dB
4:	693.000MHz	-0.319 dB	-54.206 dB
5:	893.000MHz	-0.370 dB	-37.898 dB