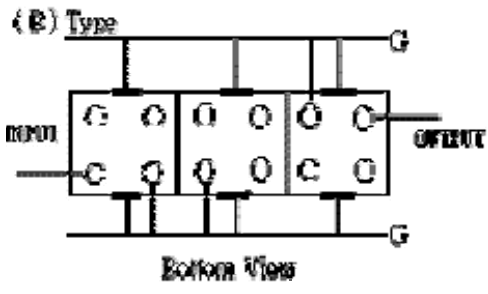
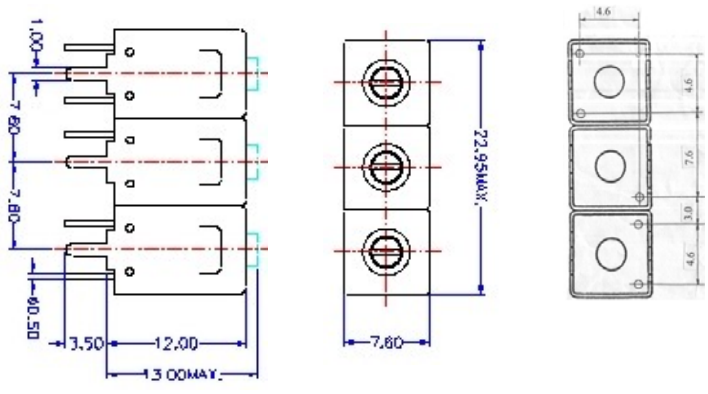


# VHF UHF Helical Filter Specification Sheet

Customer Name		Temwell's Part No.	TT6764B-260M
Approval No. /dated	20210036B	Acceptable Specify Fo. Range	246~275M
Work Instruction No.	20210036B	Date	Oct.16.2002

<p>(1) Pin Position</p>  <p style="text-align: center;">Bottom View</p>	<p>(2) Size Diagram</p> 
--	--

(3) Electric Characteristic

Item	Specify	Performance	
Center Freq.(Fo ) +/- 0.75 %	260 MHz	260 MHz	
Tunable Range	260±4 MHz	260±4 MHz	
Insertion Loss	Typ. 3.0 dB	2.2 dB	
-3 dB Bandwidth	Typ. 10 MHz	12 MHz	
Sensitivity (Attenuation)	Fo - 20 MHz	Typ. 30 dBc	33 dBc
	Fo + 20 MHz	Typ. 30 dBc	33 dBc
	Fo - (50 ) MHz	Typ. 50 dBc	64 dBc
	Fo +(50 ) MHz	Typ. 60 dBc	77 dBc
Return Loss	Min. 12 dB	23 dB	
Ripple	< 1 dB	dB	
Impedance	In / Out : 50 Ω	In / Out : 50 Ω	

(4) Torque for Tuning Screw > 100gf • cm

(5) Temperature Condition:

Operating Temperature	-30°C ~ +70°C
Storage Temperature	-30°C ~ +80°C

(6) Input Power > 1Watt

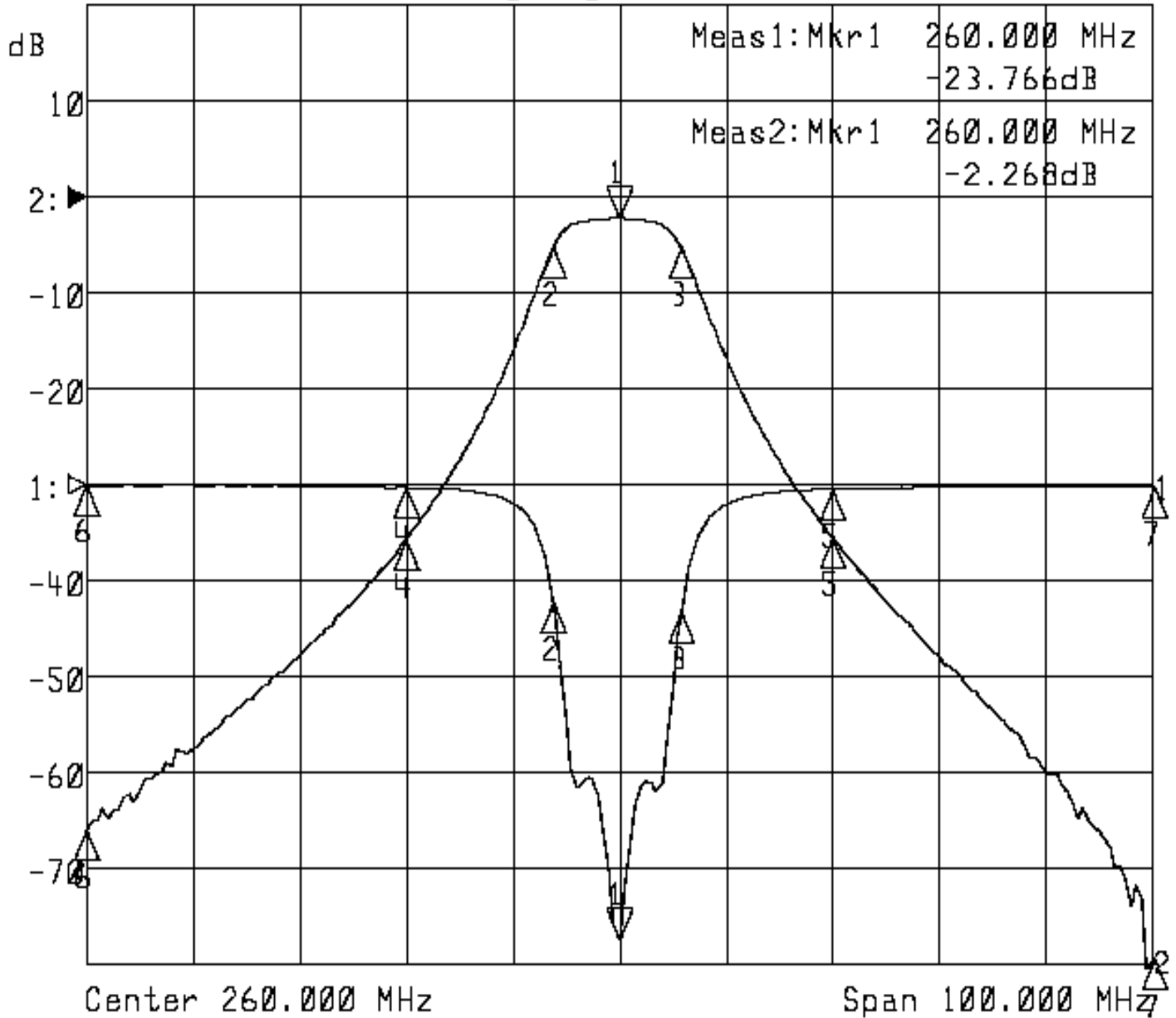
Approval	Supervisor	Designer	Aperture size
C.Y. Chang	C.S. Chang	W.W. Wang	7H3S, (4*5.5) 7H024LB4

TEMWELL CORPORATION

# Performance-TT6764B-260M

## 20210036B

▷1:S11 Refl Port1 Log Mag 5.0 dB/ Ref 0.00 dB C  
▼2:S21 Fwd Trans Log Mag 10.0 dB/ Ref 0.00 dB C



1: Mkr (MHz)	dB	2: Mkr (MHz)	dB
1> 260.0000	-23.766	1> 260.0000	-2.268
2: 253.8000	-6.122	2: 253.8000	-5.234
3: 265.8000	-6.646	3: 265.8000	-5.294
4: 240.0000	-0.148	4: 240.0000	-35.649
5: 280.0000	-0.252	5: 280.0000	-35.521
6: 210.0000	-0.044	6: 210.0000	-66.011
7: 310.0000	-0.084	7: 310.0000	-79.543