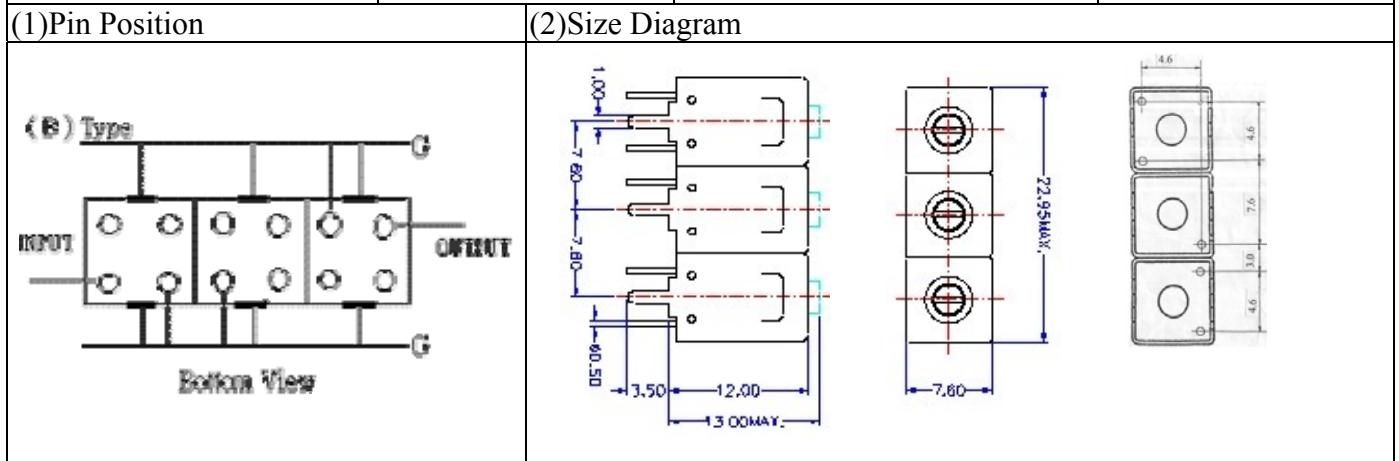


VHF UHF Helical Filter Specification Sheet

Customer Name		Temwell's Part No.	TT67655B2-870M
Approval No. /dated	0609078DC	Acceptable Specify Fo Range	861~900MHz
Work Instruction No.	0609078DC	Date	Oct.02.2006



(3) Electric Character

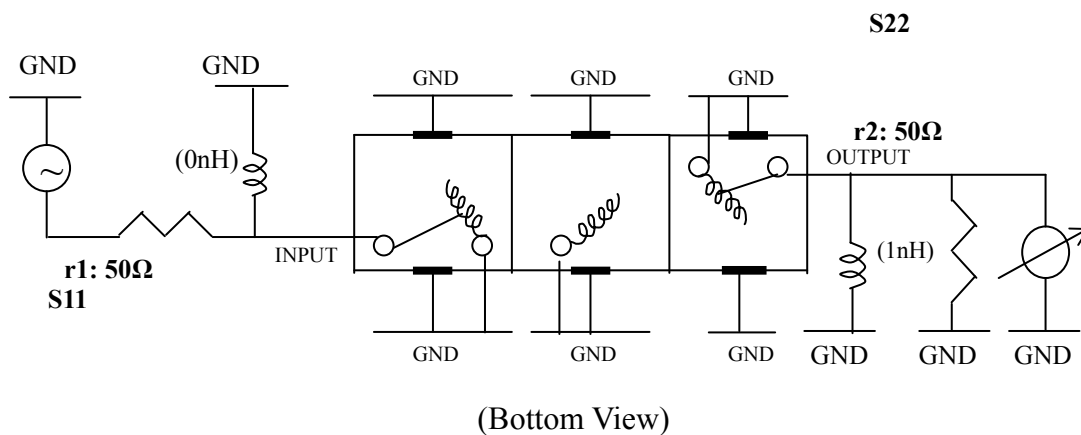
Item	Specify	Performance	
Center Freq.(Fo) +/- 0.5 %	870 MHz	870 MHz	
Tunable Range	870±10 MHz	870±10 MHz	
Insertion Loss	Typ. 3.5 dB	2.15 dB	
-3 dB Bandwidth	Typ. 20 MHz	28.2 MHz	
Sensitivity (Attenuation)	Fo - 50 MHz	Typ. 27 dBc	30 dBc
	Fo + 50 MHz	Typ. 19 dBc	22 dBc
	Fo - ()MHz	Typ. dBc	dBc
	Fo +()MHz	Typ. dBc	dBc
Return Loss	Min. 12 dB	20.4 dB	
Ripple	< 1 dB	dB	
Impedance	In / Out : 50 Ω	In / Out : 50 Ω	
(4) Torque for Tuning Screw	> 100gf • cm		

(5) Temperature Condition:

Operating Temperature	0°C ~ +60°C
Storage Temperature	-20°C ~ +70°C

(6) Input Power > 1Watt

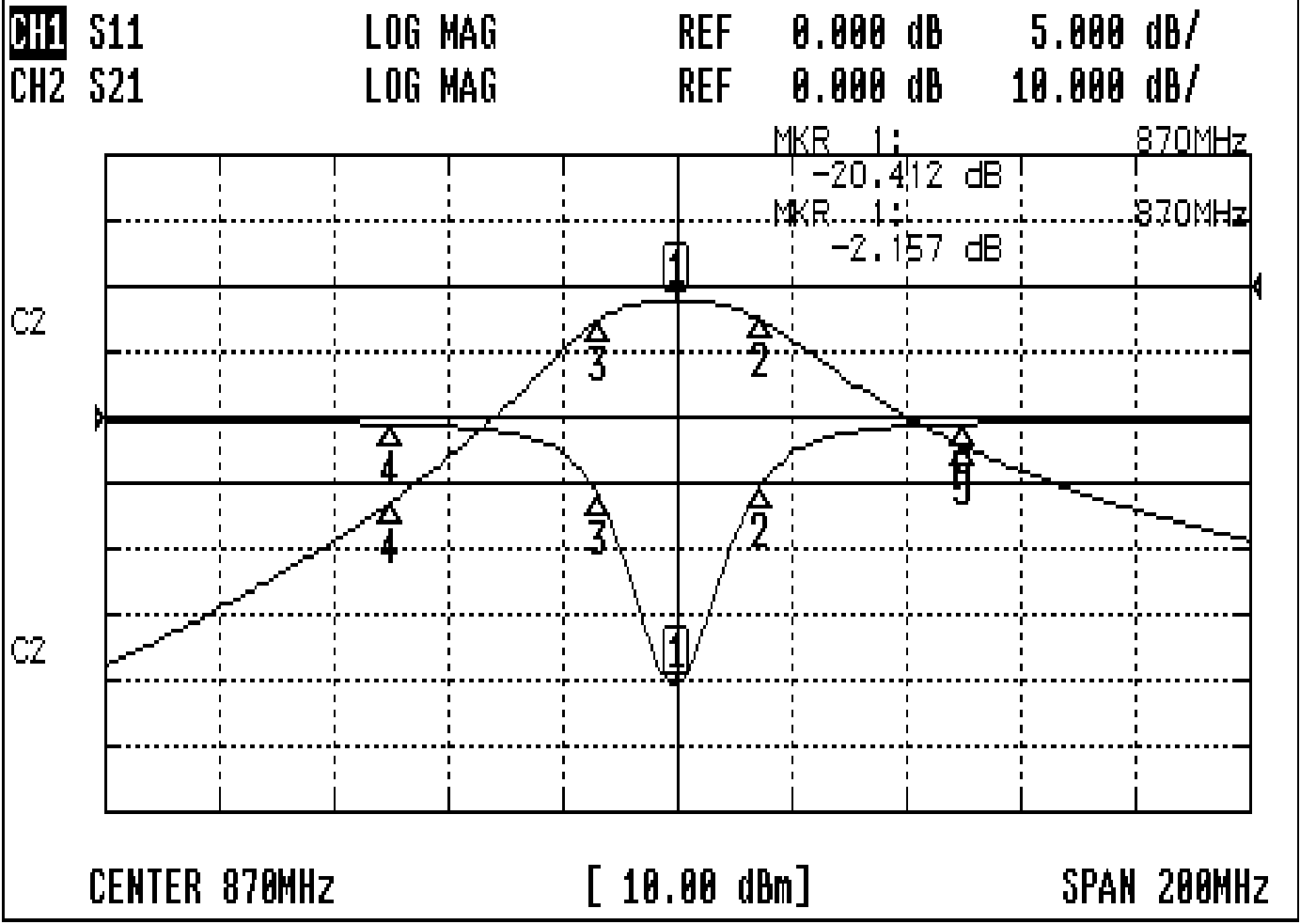
(7) Measuring Circuit: ※Easy to match Impedance S11/S22 50Ω by parallel with about(0nH) / (1nH).



Approval	Supervisor	Designer	Aperture size
C.Y.Chang	C.S.Chang	P.H.Chang	7H3(4*6.5)(6.58) 7H046RB4
TEMWELL CORPORATION			

Performance-TT67655B2-870M

0609078DC



CH1 MARKER LIST

1	870.000MHz	-20.412 dB
2	884.500MHz	-2.157 dB
3	856.333MHz	-6.012 dB
4	820.000MHz	-0.507 dB
5	920.000MHz	-0.464 dB

CH2 MARKER LIST

1	870.000MHz	-2.157 dB
2	884.500MHz	-1.128 dB
3	856.333MHz	-1.175 dB
4	820.000MHz	-2.776 dB
5	920.000MHz	-24.303 dB