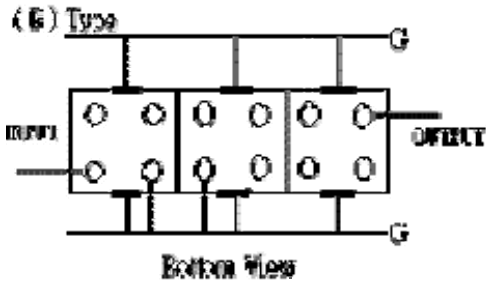
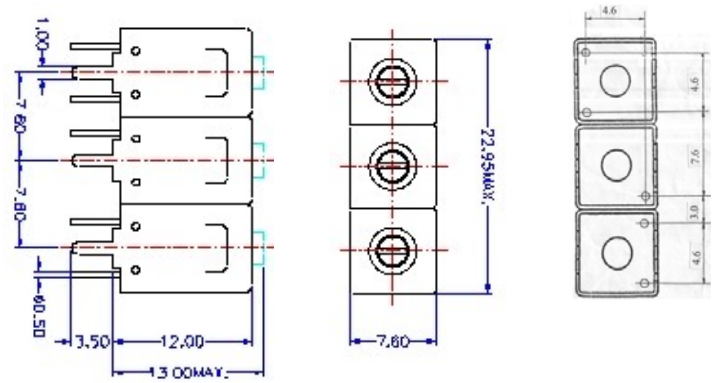


# VHF UHF Helical Filter Specification Sheet

Customer Name		Temwell's Part No.	TT6765B-260M
Approval No. /dated	2002023B	Acceptable Specify Fo. Range	246~275M
Work Instruction No.	2002023B	Date	July.06.2000

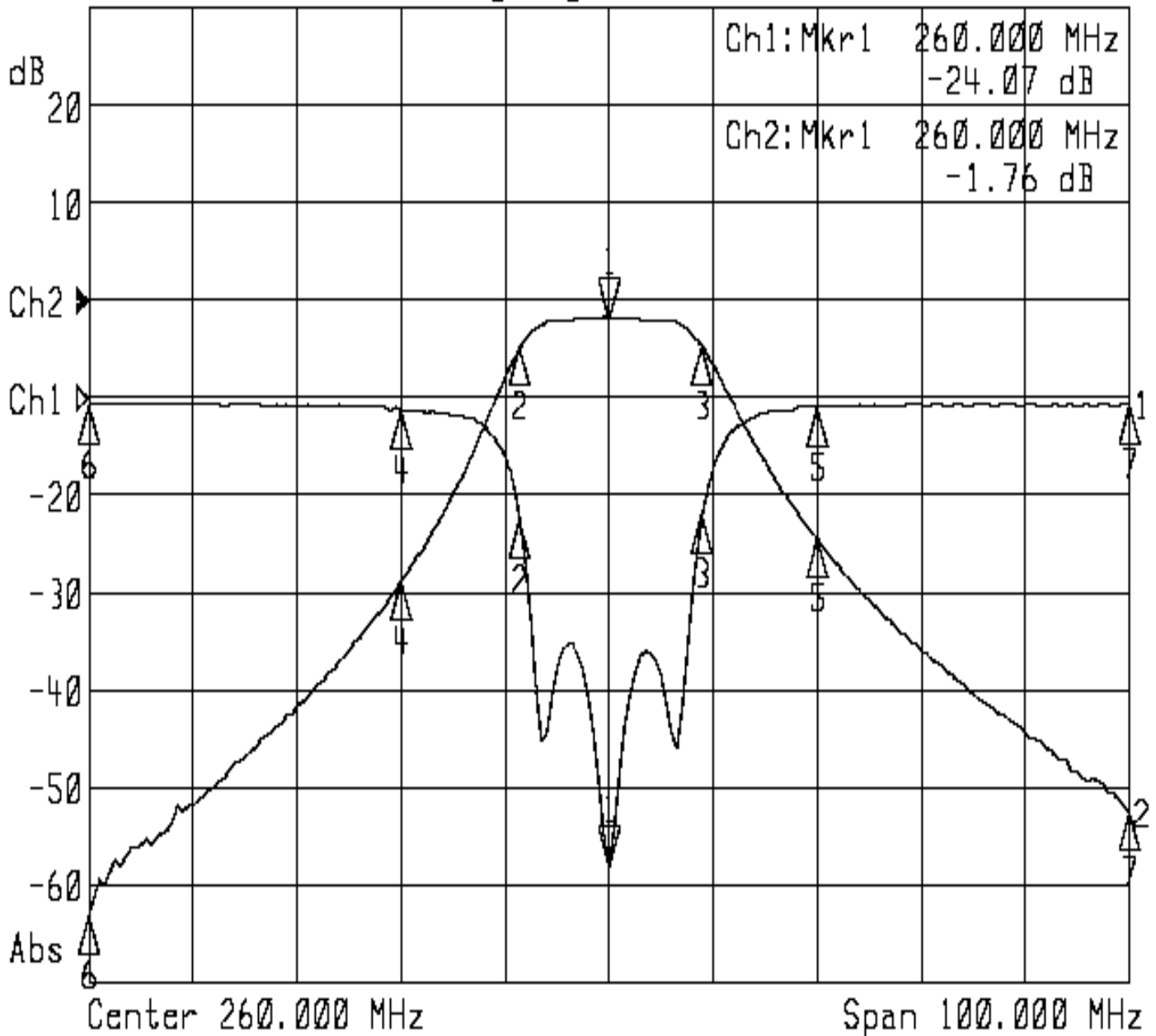
<p>(1) Pin Position</p> 	<p>(2) Size Diagram</p> 
---	--

(3) Electric Characteristic			
Item	Specify	Performance	
Center Freq.(Fo) +/- 0.75 %	260 MHz	260 MHz	
Tunable Range	260±4 MHz	260±4 MHz	
Insertion Loss	Typ. 3 dB	1.7 dB	
-3 dB Bandwidth	Typ. 15 MHz	18 MHz	
Sensitivity (Attenuation)	Fo - 50 MHz	Typ. 56 dBc	61 dBc
	Fo + 50 MHz	Typ. 48 dBc	51 dBc
	Fo - ( ) MHz	Typ. dBc	dBc
	Fo + ( ) MHz	Typ. dBc	dBc
Return Loss	Min. 12 dB	24 dB	
Ripple	< 1 dB	dB	
Impedance	In / Out : 50 Ω	In / Out : 50 Ω	
(4) Torque for Tuning Screw	> 100gf • cm		
(5) Temperature Condition:			
Operating Temperature	-30°C ~ +70°C		
Storage Temperature	-30°C ~ +80°C		
(6) Input Power	> 1Watt		
Approval	Supervisor	Designer	Aperture size
C.Y. Chang	C.S. Chang	W.W. Wang	7H3S,( 4×6.5) 7H024LB4
TEMWELL CORPORATION			

# Performance-TT6765B-260M

## 2002023B

▶1: Reflection Log Mag 5.0 dB/ Ref 0.00 dB C  
▶2: Transmission Log Mag 10.0 dB/ Ref 0.00 dB C



1: Mkr (MHz)	dB	2: Mkr (MHz)	dB
1> 260.00	-24.01	1> 260.00	-1.76
2: 251.42	-6.20	2: 251.42	-4.74
3: 268.99	-5.88	3: 268.99	-4.67
4: 240.00	-0.58	4: 240.00	-28.83
5: 280.00	-0.49	5: 280.00	-24.51
6: 210.00	-0.30	6: 210.00	-63.07
7: 310.00	-0.38	7: 310.00	-52.39