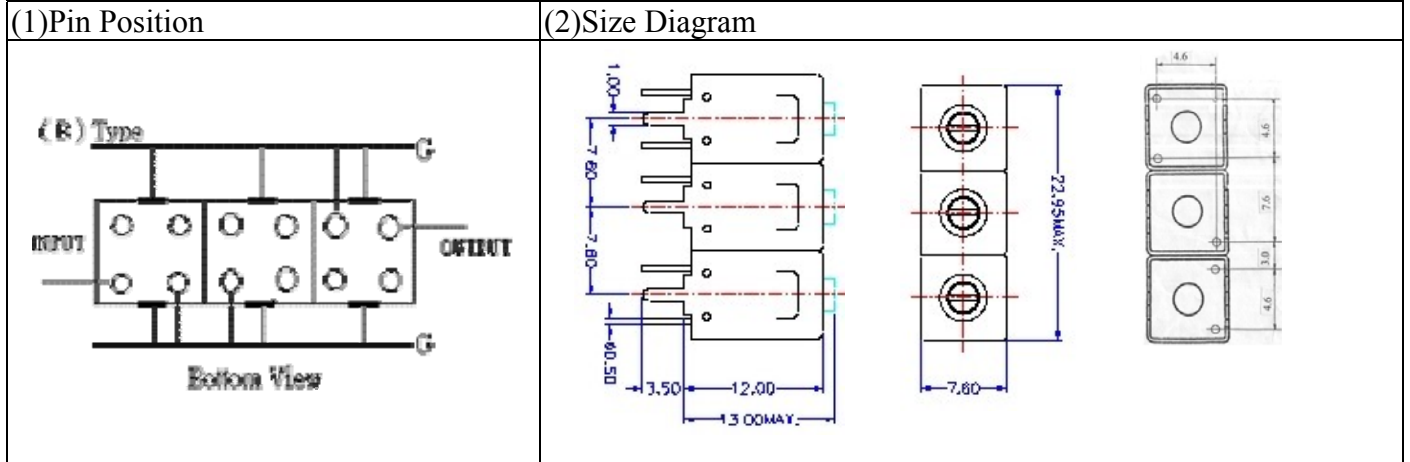
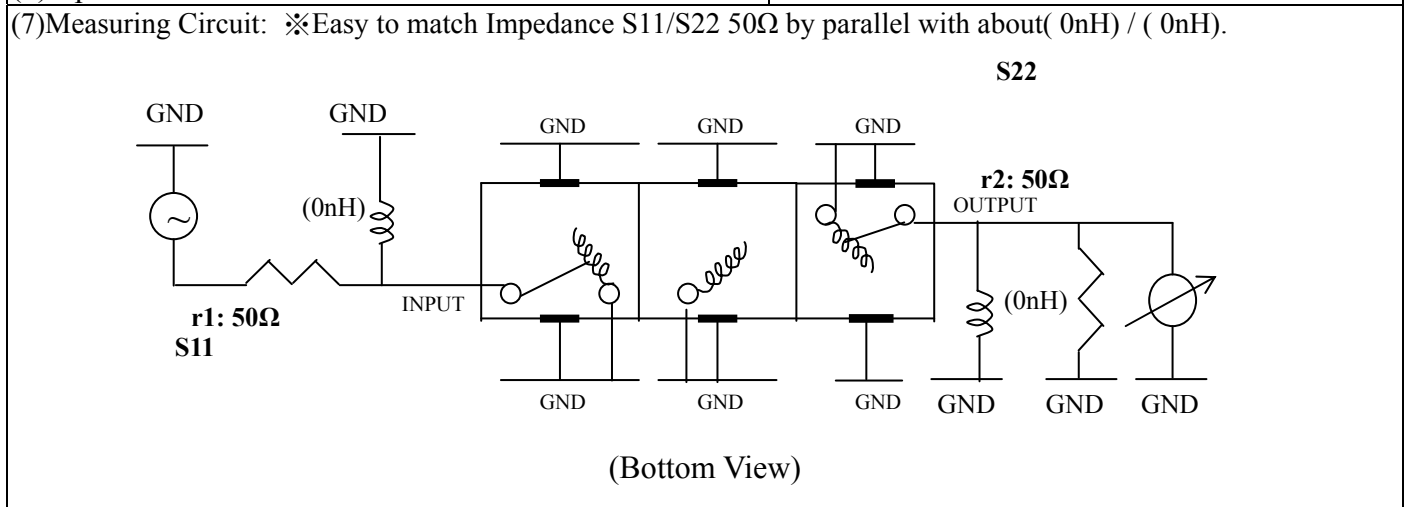


VHF UHF Helical Filter Specification Sheet

Customer Name		Temwell's Part No.	TT6766B-290M
Approval No. /dated	0610077APR	Acceptable Specify Fo Range	276-310 MHz
Work Instruction No.	0610077B	Date	Dec.08.2006



(3) Electric Character			
Item		Specify	Performance
Center Freq.(Fo) +/- 0.75 %		290 MHz	290 MHz
Tunable Range		290±4 MHz	290±4 MHz
Insertion Loss		Typ. 4 dB	3.39 dB
-3 dB Bandwidth		Typ. 6 MHz	8.1 MHz
Sensitivity (Attenuation)	Fo - 20 MHz	Typ. 36 dBc	39 dBc
	Fo + 20 MHz	Typ. 38 dBc	41 dBc
	Fo - ()MHz	Typ. dBc	dBc
	Fo +()MHz	Typ. dBc	dBc
Return Loss		Min. 12 dB	32.9 dB
Ripple		< 1 dB	dB
Impedance		In / Out : 50 Ω	In / Out : 50 Ω
(4) Torque for Tuning Screw		> 100gf · cm	
(5) Temperature Condition:			
Operating Temperature		-30°C ~ +70°C	
Storage Temperature		-30°C ~ +80°C	
(6) Input Power		> 1 Watt	



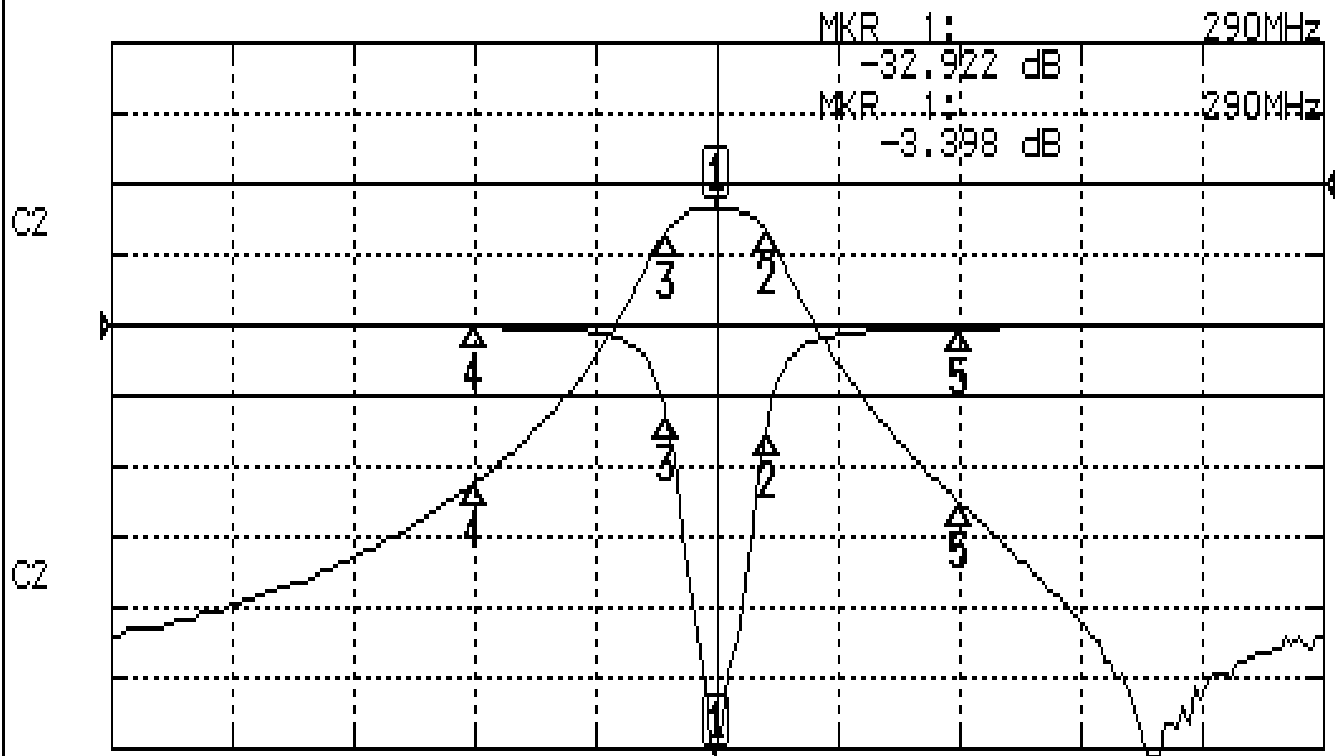
Approval	Supervisor	Designer	Aperture size
C.Y.Chang	C.S.Chang	C.S.Chang	7H3S(4*4.65) 7H024LB4

TEMWELL CORPORATION

Performance-TT6766B-290M

0610077B

CH1 S11 LOG MAG REF 0.000 dB 5.000 dB/
 CH2 S21 LOG MAG REF 0.000 dB 10.000 dB/



CENTER 290MHz

[10.00 dBm]

SPAN 100MHz

CH1 MARKER LIST

1	290.000MHz	-32.922	dB
2	294.000MHz	-7.628	dB
3	285.916MHz	-6.664	dB
4	270.000MHz	-0.122	dB
5	310.000MHz	-0.192	dB

CH2 MARKER LIST

1	290.000MHz	-3.398	dB
2	294.000MHz	-1.439	dB
3	285.916MHz	-1.477	dB
4	270.000MHz	-4.518	dB
5	310.000MHz	-45.076	dB