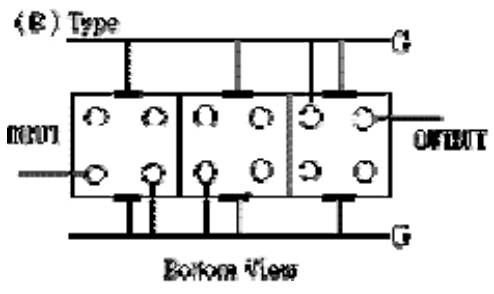
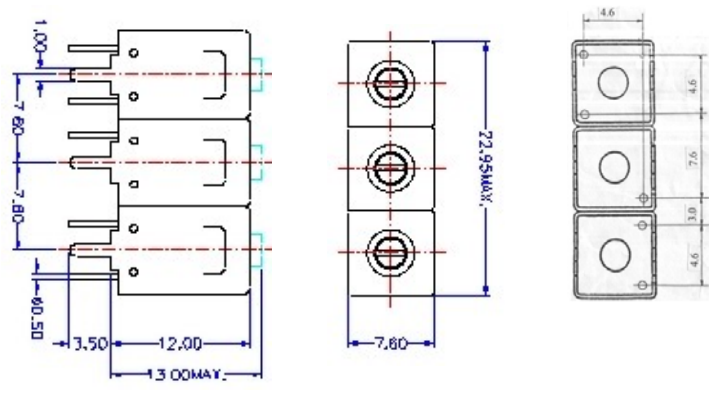


VHF UHF Helical Filter Specification Sheet

Customer Name		Temwell's Part No.	TT67674B-70M
Approval No. /dated	20501007DC	Acceptable Specify Fo. Range	68~75MHz
Work Instruction No.	20501007DC	Date	

(1)Pin Position	(2)Size Diagram
 <p>(E) Type</p> <p>Bottom View</p>	

(3)Electric Character			
Item		Specify	Performance
Center Freq.(Fo) +/- 0.5 %		70 MHz	70 MHz
Tunable Range		70±2 MHz	70±2 MHz
Insertion Loss		Typ. 2.5 dB	1.67 dB
-3 dB Bandwidth		Typ. 12 MHz	14 MHz
Sensitivity (Attenuation)	Fo -20 MHz	Typ. 39 dBc	42 dBc
	Fo +20 MHz	Typ. 28 dBc	31 dBc
	Fo - ()MHz	Typ. dBc	dBc
	Fo +()MHz	Typ. dBc	dBc
Return Loss		Min. 12 dB	34 dB
Ripple		< 1 dB	dB
Impedance		In / Out : 50 Ω	In / Out : 50 Ω
(4)Torque for Tuning Screw		> 100gf · cm	

(5)Temperature Condition:	
Operating Temperature	0°C ~ +60°C
Storage Temperature	-20°C ~ +70°C

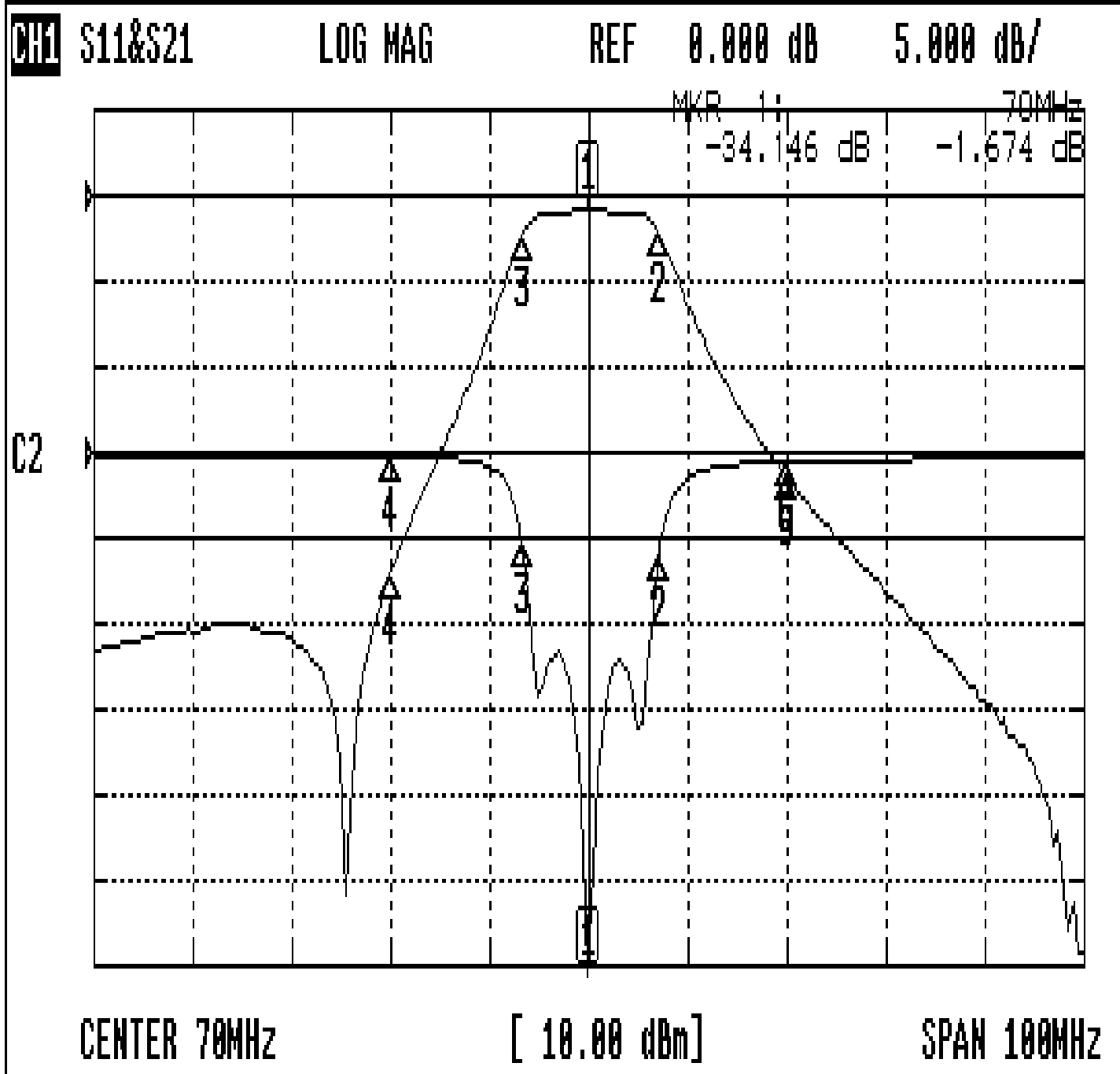
(6)Input Power	> 1Watt
----------------	---------

Approval	Supervisor	Designer	Aperture size
C.Y.Chang	C.S.Chang	C.S.Chang	7H3S(4*5.5)F 7H00LB6

TEMWELL CORPORATION

Performance-TT67674B-70M

20501007DC



CH1 MARKER LIST

1:	70.000MHz	-34.146 dB	-1.674 dB
2:	77.166MHz	-5.929 dB	-4.545 dB
3:	63.250MHz	-5.262 dB	-4.675 dB
4:	50.000MHz	-0.262 dB	-44.227 dB
5:	90.000MHz	-0.513 dB	-32.848 dB