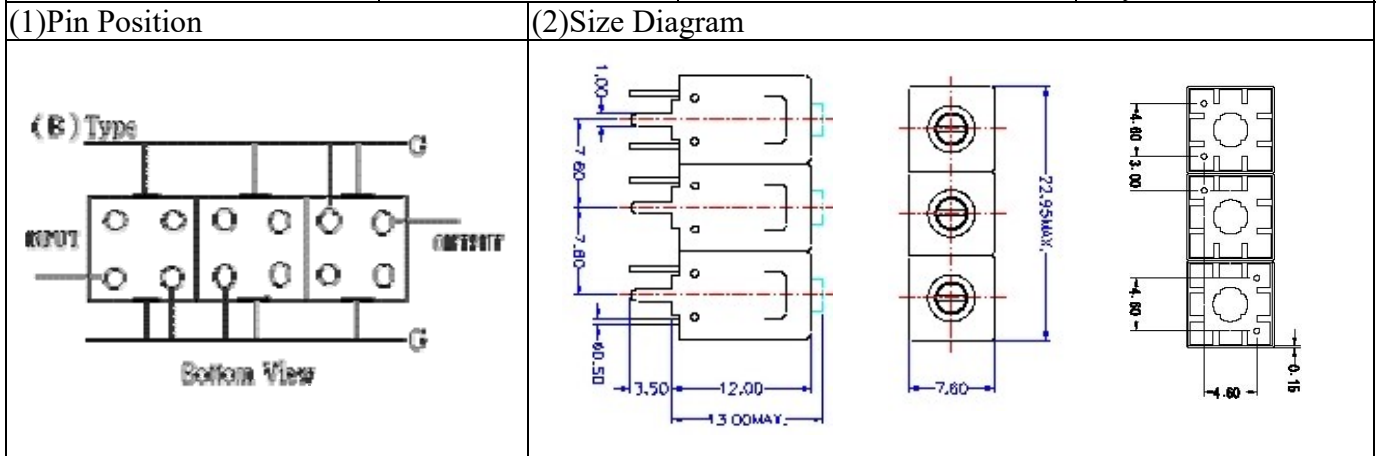


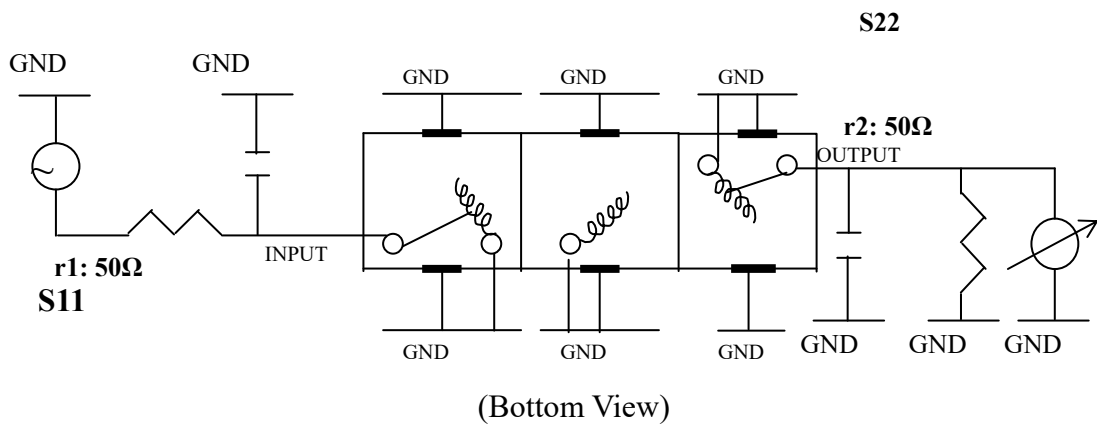
VHF UHF Helical Filter Specification Sheet

Customer Name		Temwell's Part No.	TT67677B1-140M
Approval No. /dated	202005014CD	Temwell's Print Name.	67677B1 140M
Work Instruction No.	202005015CD	Date	May.13.2020



(3) Electric Characteristic			
Item		Specify	Performance
Center Freq.(Fo) +/- 0.5 %		140 MHz	140 MHz
Insertion Loss		Typ. 3.0 dB	2.42 dB
-3 dB Bandwidth		Typ. 10 MHz	12.3 MHz
Sensitivity (Attenuation)	Fo - 50 MHz	Typ. 65 dBc	68 dBc
	Fo + 50 MHz	Typ. 60 dBc	64 dBc
	Fo - ()MHz	Typ. dBc	dBc
	Fo +()MHz	Typ. dBc	dBc
Return Loss		Min. 12 dB	25.2 dB
Ripple		< 1 dB	dB
Impedance		In / Out : 50 Ω	In / Out : 50 Ω
(4) Torque for Tuning Screw		> 60gf · cm	
(5) Temperature Condition:			
Operating Temperature		0°C ~ +60°C	
Storage Temperature		-20°C ~ +70°C	
(6) Input Power		> 1Watt	

(7) Measuring Circuit: ※Easy to match Impedance S11/S22 50Ω by parallel with about(--).



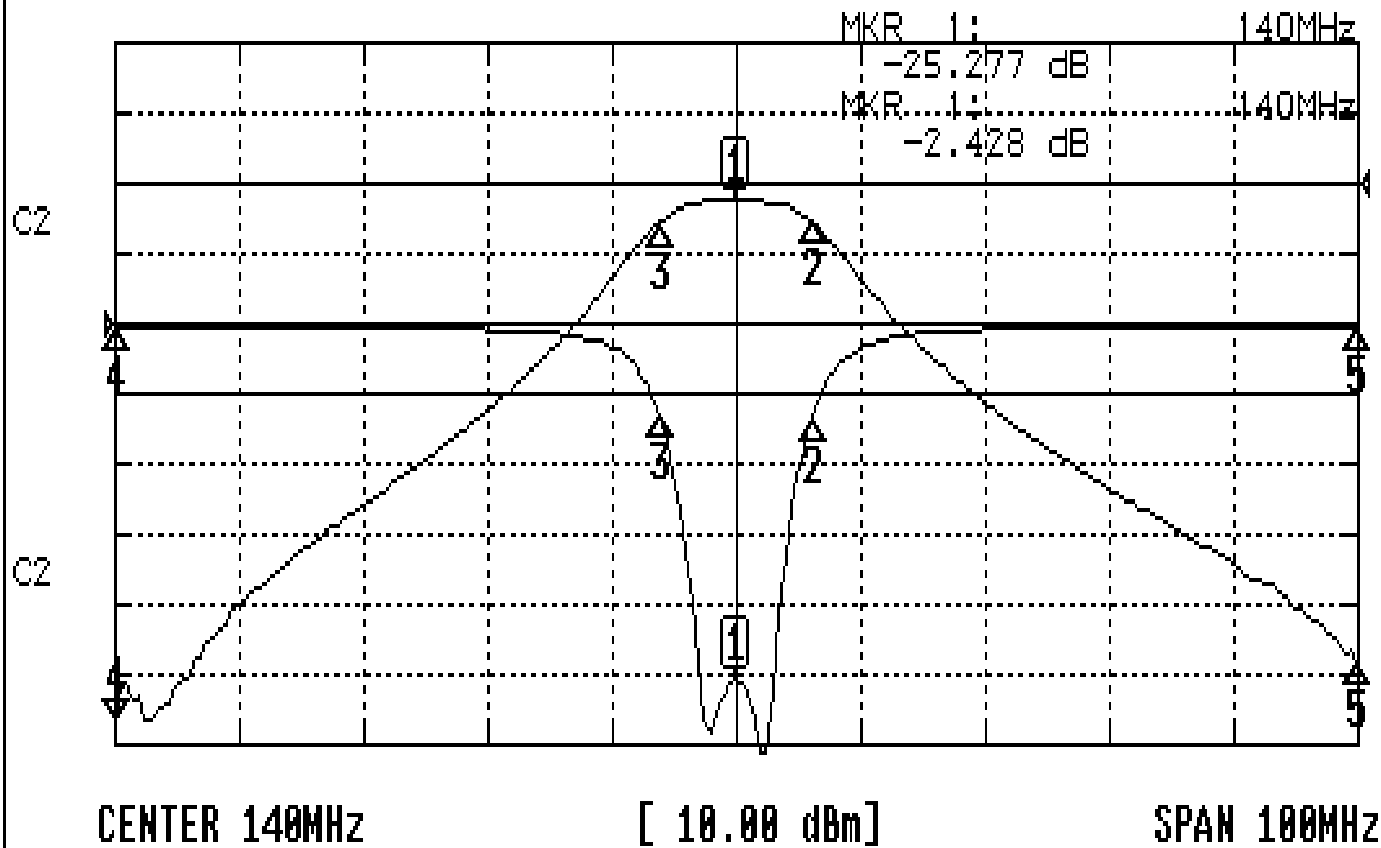
Approval	Supervisor	Designer	Aperture size
C.C.Chang	C.K.Chang	C.H.Yeh	7H3S(4*4.65)(4.68) 7H024RB6.5 (J1)

TEMWELL CORPORATION

Performance-TT67677B1-140M

202005015C

CH1 S11 LOG MAG REF 0.000 dB 5.000 dB/
CH2 S21 LOG MAG REF 0.000 dB 10.000 dB/



CH1 MARKER LIST

1:	140.000MHz	-25.277	dB
2:	146.166MHz	-6.557	dB
3:	133.800MHz	-6.379	dB
4:	90.000MHz	-0.186	dB
5:	190.000MHz	-0.230	dB

CH2 MARKER LIST

1:	140.000MHz	-2.428	dB
2:	146.166MHz	-5.500	dB
3:	133.800MHz	-5.456	dB
4:	90.000MHz	-70.809	dB
5:	190.000MHz	-67.202	dB