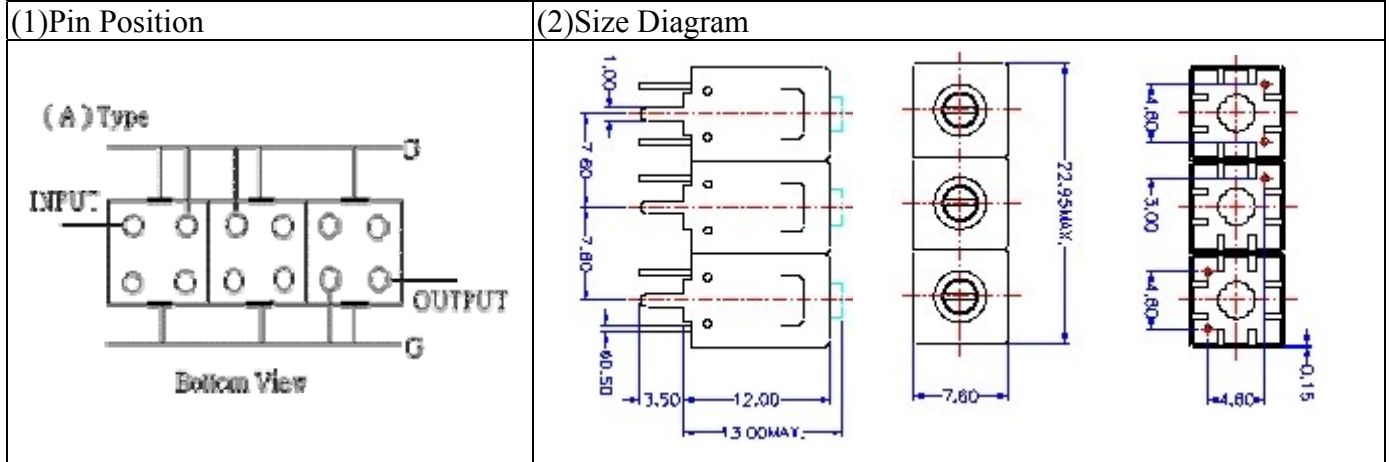


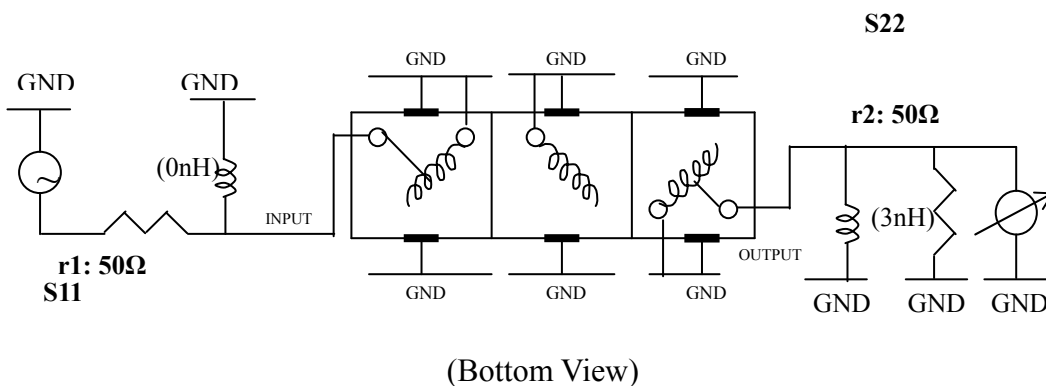
# VHF UHF Helical Filter Specification Sheet

Customer Name		Temwell's Part No.	TT67684A-1405M
Approval No. /dated	20504029DB	Acceptable Specify Fo Range	1301~1500MHz
Work Instruction No.	20504029DB	Date	Aug.22.2003



(3)Electric Charasteric					
Item		Specify		Performance	
Center Freq.(Fo ) +/- 0.5 %		1405 MHz		1405 MHz	
Tunable Range:		1405±5 MHz		1405±5 MHz	
Insertion Loss		Typ. 3.0 dB		2.00 dB	
-3 dB Bandwidth		Typ. 110 MHz		128 MHz	
Sensitivity (Attenuation )	Fo - 200 MHz	Typ. 40 dBc		43 dBc	
	Fo + 200 MHz	Typ. 21 dBc		24 dBc	
	Fo - ( )MHz	Typ. dBc		dBc	
	Fo +( )MHz	Typ. dBc		dBc	
Return Loss		Min. 12 dB		26.7 dB	
Ripple		< 1 dB		dB	
Impedance		In / Out : 50 Ω		In / Out : 50 Ω	
(4)Torque for Tuning Screw		> 100gf · cm			
(5)Temperature Condition:					
Operating Temperature		0°C ~ +60°C			
Storage Temperature		-20°C ~ +70°C			
(6)Input Power		> 1Watt			

(7)Measuring Circuit: ※Easy to match Impedance S11/S22 50Ω by parallel with about(0 nH) / (3 nH).



Approval	Supervisor	Designer	Aperture size
C.Y.Chang	C.S.Chang	C.S.Chang	7H3S(4*7.5) 7H046LB5.5

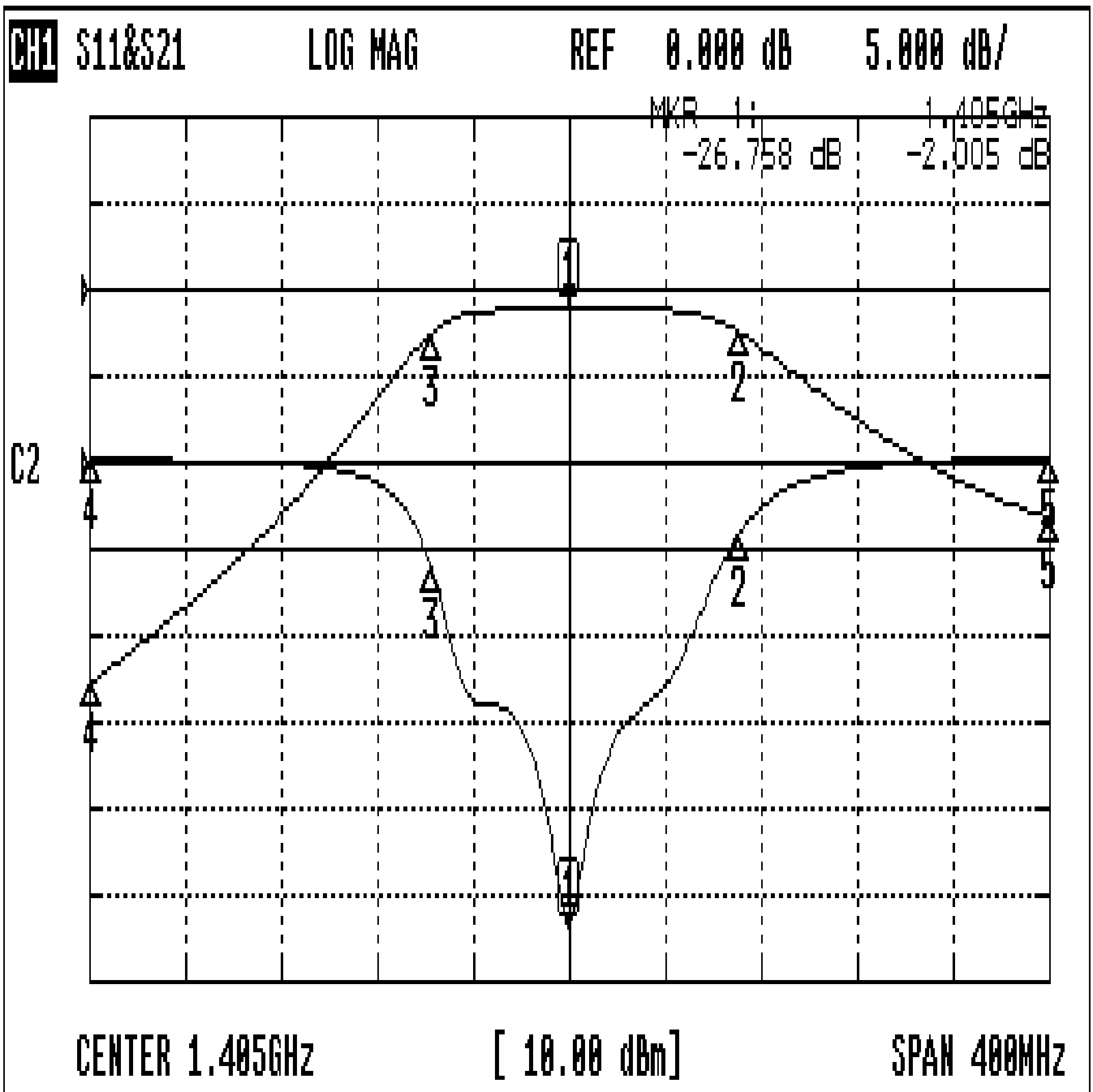
TEMWELL CORPORATION

TEMWELL

Form10-7H3A Vision D

# Performance-TT67684A-1405M

## 20504029DB



### CH1 MARKER LIST

1:	1.405 000GHz	-26.758 dB	-2.005 dB
2:	1.476 000GHz	-4.067 dB	-4.980 dB
3:	1.347 666GHz	-6.889 dB	-4.965 dB
4:	1.205 000GHz	0.167 dB	-45.504 dB
5:	1.605 000GHz	0.316 dB	-26.437 dB