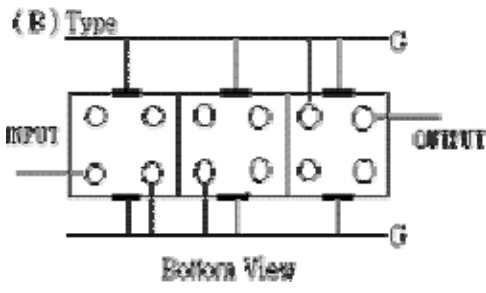
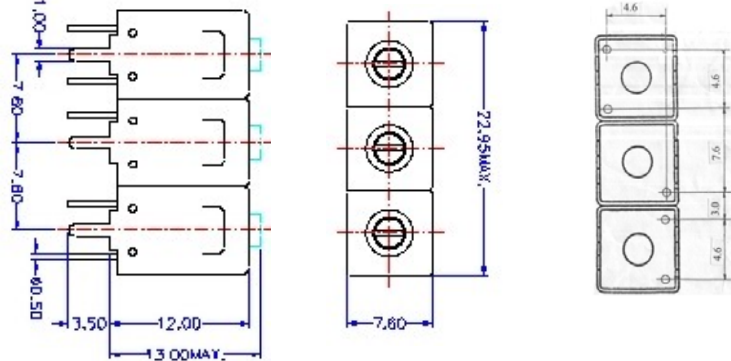


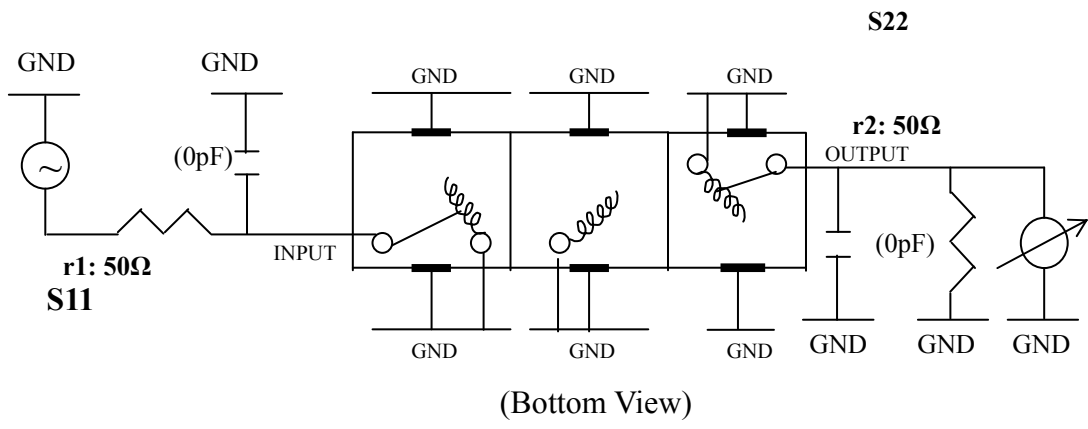
VHF UHF Helical Filter Specification Sheet

Customer Name		Temwell's Part No.	TT67693B-101M
Approval No. /dated	20507036APR	Temwell's Print Name	67693B 101M
Work Instruction No.	20507036DC	Date	Nov1.10.2006

<p>(1) Pin Position</p>  <p style="text-align: center;">Bottom View</p>	<p>(2) Size Diagram</p> 
--	--

(3) Electric Characteristic			
Item	Specify	Performance	
Center Freq.(Fo) +/- 0.5 %	101 MHz	101	MHz
Insertion Loss	Typ. 3.5 dB	2.69	dB
-3 dB Bandwidth	Typ. 8 MHz	9	MHz
Sensitivity (Attenuation)	Fo - 50 MHz	Typ. 55 dB	62 dB
	Fo + 50 MHz	Typ. 65 dB	75 dB
	Fo - ()MHz	Typ. dBc	dBc
	Fo +()MHz	Typ. dBc	dBc
Return Loss	Min. 12 dB	27.9	dB
Ripple	< 1 dB		dB
Impedance	In / Out : 50 Ω	In / Out : 50 Ω	
(4) Torque for Tuning Screw			
		> 100gf · cm	
(5) Temperature Condition:			
Operating Temperature		0°C ~ +60°C	
Storage Temperature		-20°C ~ +70°C	
(6) Input Power		> 1Watt	

(7) Measuring Circuit: ※Easy to match Impedance 50Ω/ by parallel with about (0) pF.

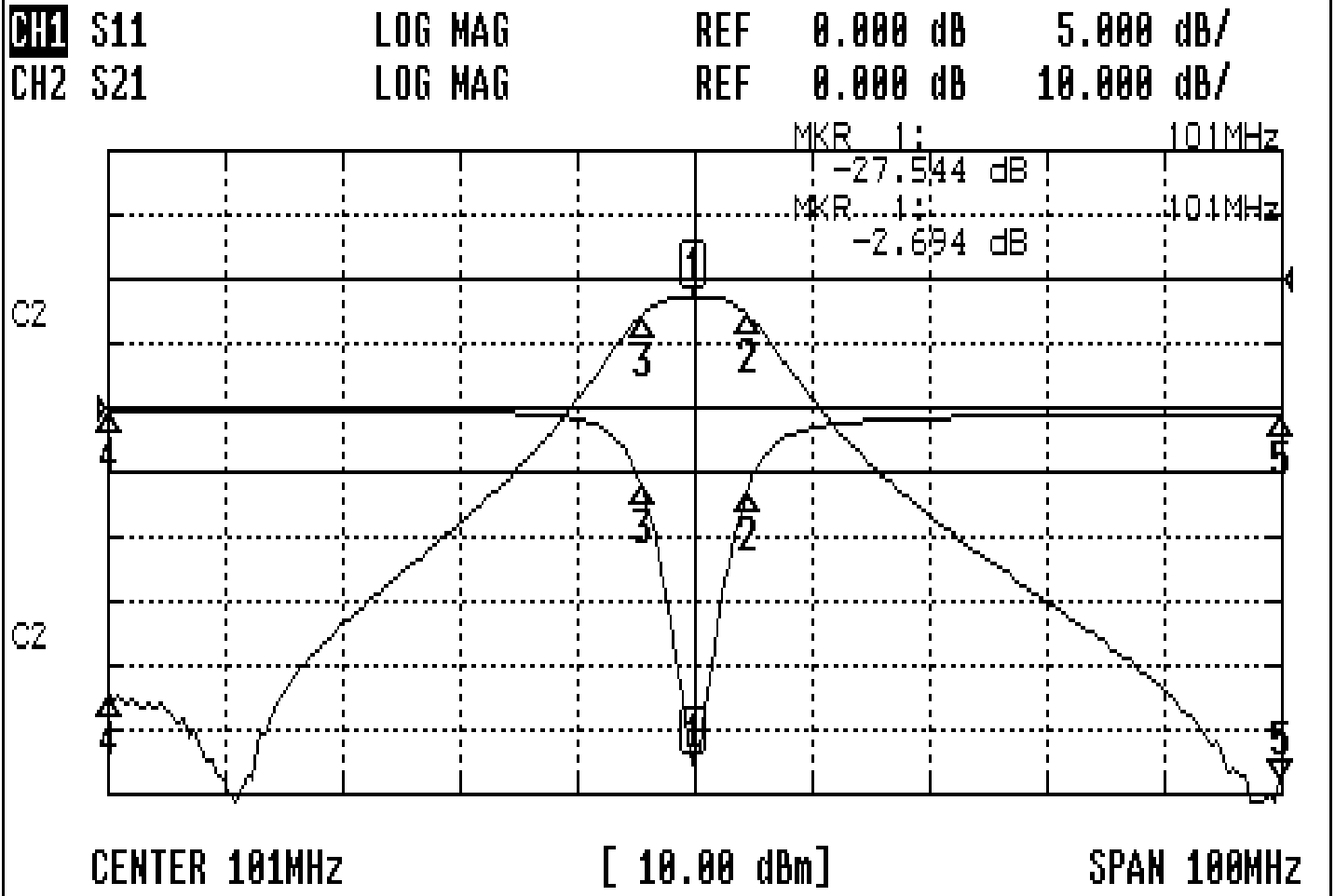


Approval	Supervisor	Designer	Aperture size
C.Y.Chang	C.S.Chang	J.F.Lin	7H2(4*4.65)(4.70) 7H00LB6

TEMWELL CORPORATION

Performance-TT67693B-101M

20507036DC



CH1 MARKER LIST

1:	101.000MHz	-27.535 dB
2:	105.666MHz	-6.214 dB
3:	96.583MHz	-6.161 dB
4:	51.000MHz	-0.230 dB
5:	151.000MHz	-0.549 dB

CH2 MARKER LIST

1:	101.000MHz	-2.694 dB
2:	105.666MHz	-15.677 dB
3:	96.583MHz	-15.622 dB
4:	51.000MHz	-65.050 dB
5:	151.000MHz	-77.593 dB